



Pierce

DASH[®]CF



SITUATION. READY.

THE NEW
PIERCE® DASH® CF

EVERY SITUATION CALLS FOR READINESS.

PREPARE FOR THE FIGHT.

**PREPARE
YOURSELF.**

A lot goes into what you do. Time. Training. Constant preparation for the next call. We get that. That's why we're excited to bring you the next generation of fire apparatus built around you, for you, to maximize your situation readiness.

We used key components of the Pierce® PUC™ to build the most effective work environment in the industry. You get drastically improved space for both driver and officer, lower step heights, more storage options, a large windshield, and drop daylight windows for better visibility and scene assessment. Since we configured it around the PUC, you can prepare with greater compartment space and simple serviceability, all with a shorter wheelbase. And because it's a Pierce, you can expect the same caliber of heavy-duty construction and performance.

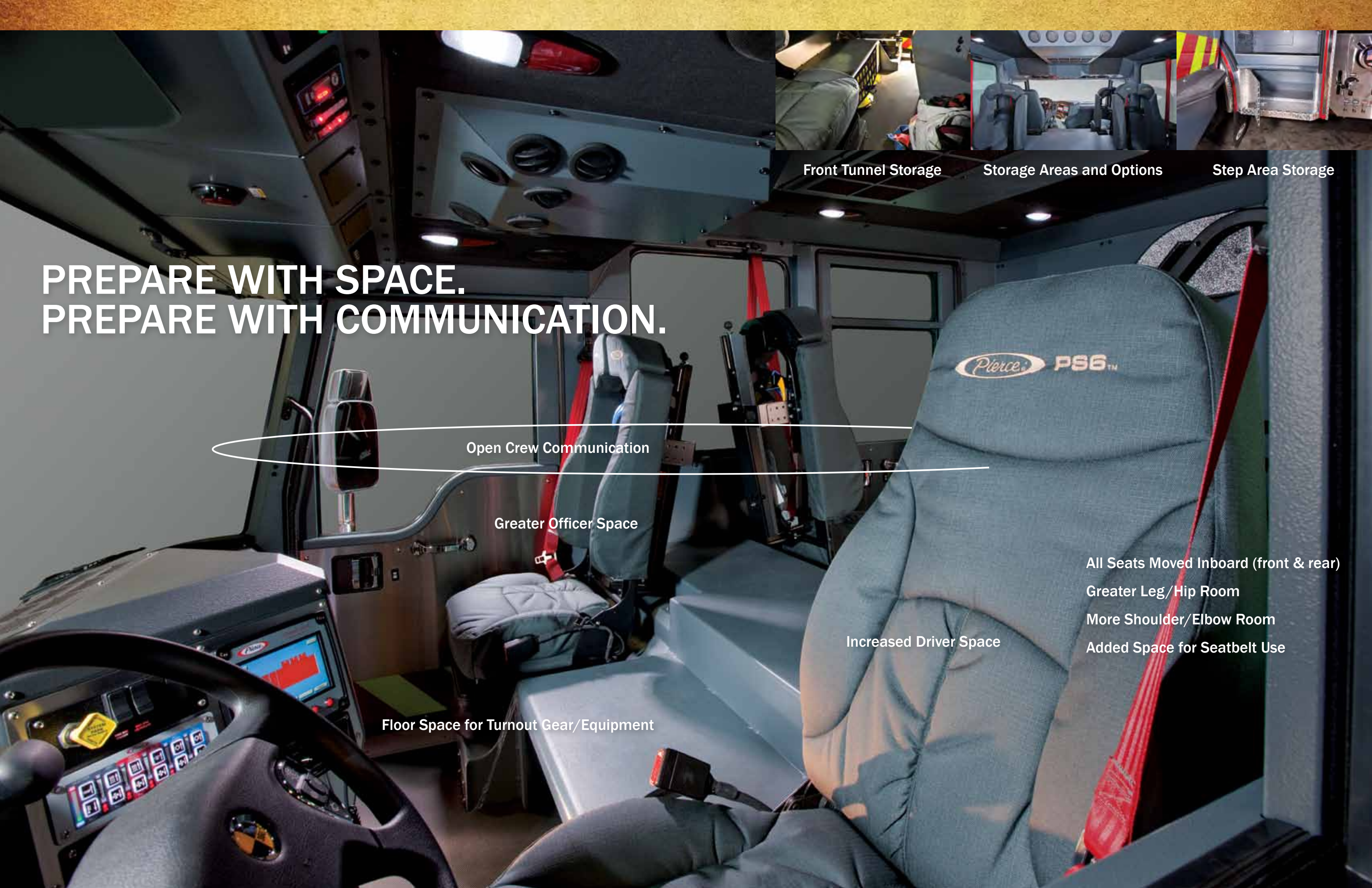
Welcome to situation readiness. Welcome to the Pierce® Dash® CF.



PERFORM. LIKE NO OTHER.™

Wider, Offset Steps Provide Stair Step Feel
Lower to Ground/Lower Second Step





PREPARE WITH SPACE. PREPARE WITH COMMUNICATION.

Front Tunnel Storage

Storage Areas and Options

Step Area Storage

Open Crew Communication

Greater Officer Space

Increased Driver Space

Floor Space for Turnout Gear/Equipment

- All Seats Moved Inboard (front & rear)
- Greater Leg/Hip Room
- More Shoulder/Elbow Room
- Added Space for Seatbelt Use

PREPARE TO SEE WHAT YOU'RE UP AGAINST.

Single-Bonded Windshield

Greater Wiper Coverage w/No Center Post

10" Lower Window Bottom Improves Sight Lines

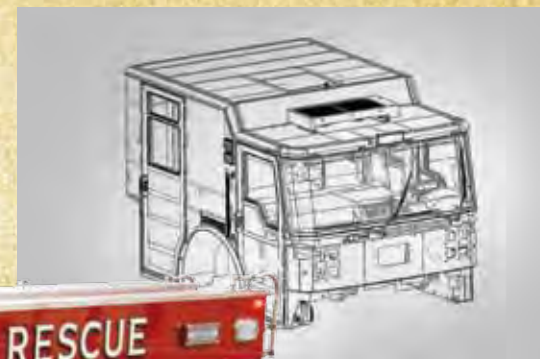
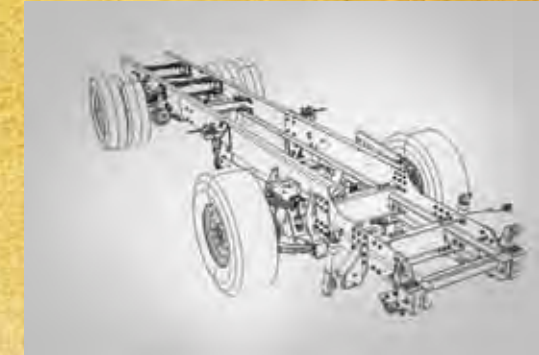
Drop Daylight Windows in Front Doors Improve Visibility to Sides of Vehicle

Large B-Pillar Windows Aid in Checking Blind Spots and Scene Assessment

No Front Engine Tunnel Improves Driver Visibility Across Vehicle



PREPARE WITH EASE OF SERVICE AND HEAVY-DUTY CONSTRUCTION.



- Checks and Fills Access with Boots on Ground
- Common Filter Location
- Power Distribution Access with Boots on Ground
- Wire Raceways in Cab
- Wiper Motor under Officer Dash
- Accessory Drive Belt Access
- Full Radiator Access
- Pump Service
- Water Valve Access
- Battery Access
- High Air Intake

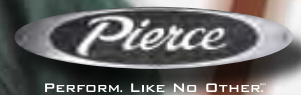
- 13" Frame and HD Xmember Design
- HD Cab Construction
- Lower Sound Levels
- Metal Interior
- Individual Front and Rear Climate Control
- Defroster with A/C Air Dryer
- Greater Fan Speed Range



When you arm yourself with the innovative Pierce® Dash® CF, you experience all-new levels of performance, preparation, and protection.

BE READY.

SITUATION READY.





PERFORM. LIKE NO OTHER.™

Learn more: piercemfg.com/DashCF



An Oshkosh Corporation Company

The Pierce name, Pierce logo and Dash are registered trademarks and PUC is a trademark of Oshkosh Corporation. ©2011 PIERCE MANUFACTURING, INC.

P-0086-DASHCFBR 6/11