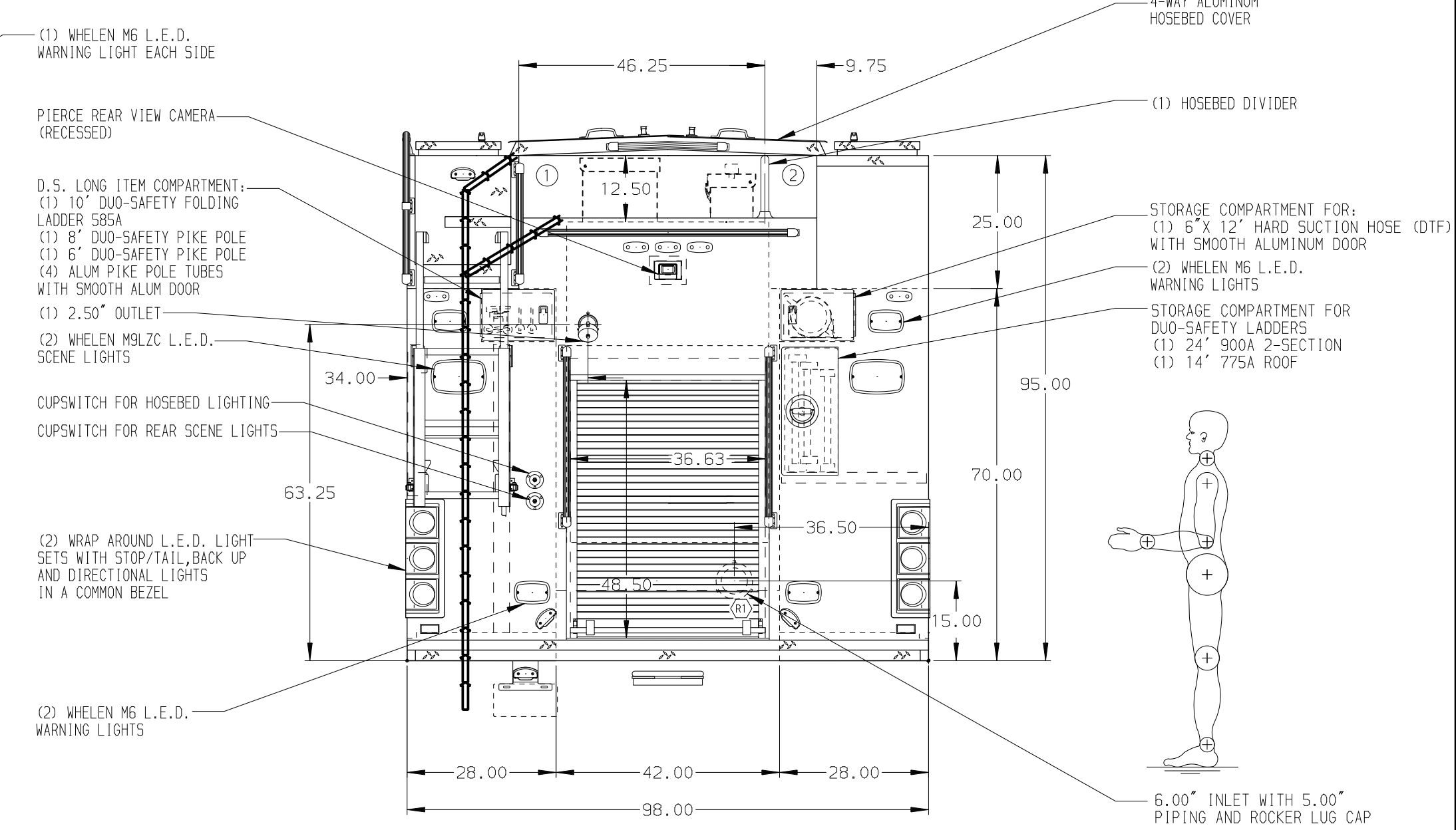
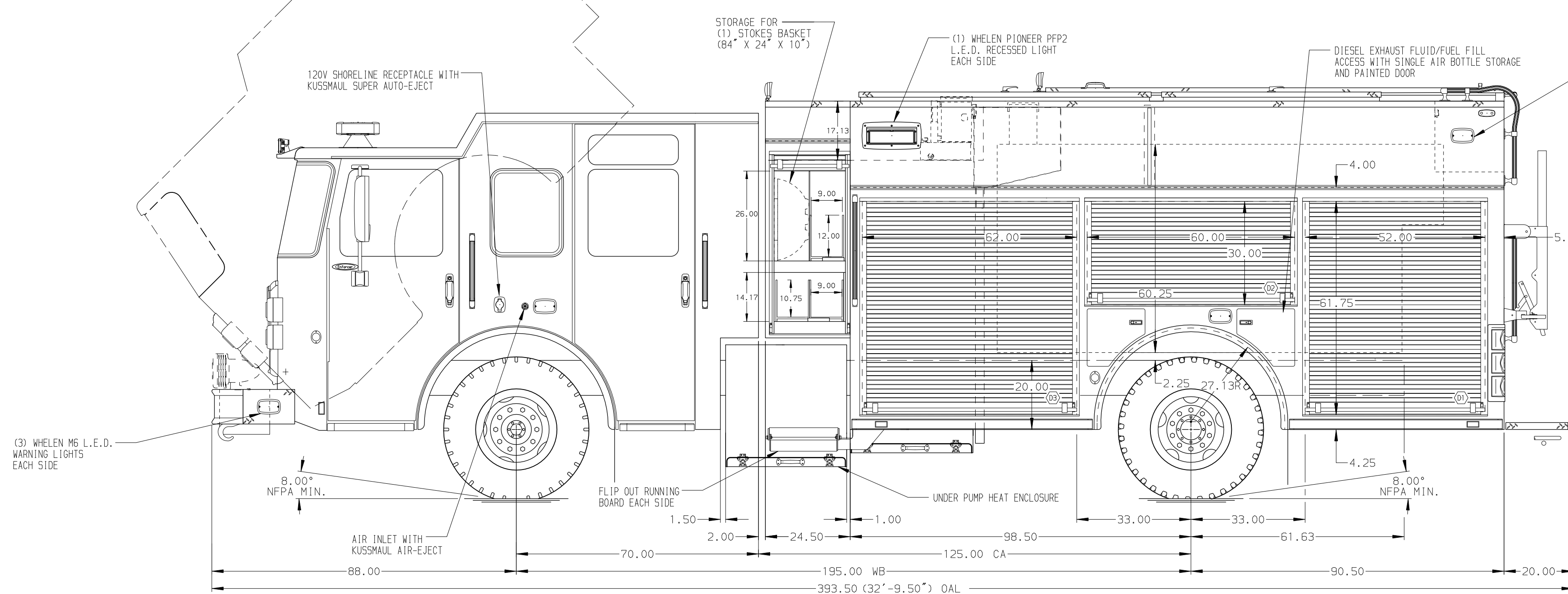


HOSEBED CAPACITIES

① 1000' OF 4.00" D.J. POLY HOSE

② 300' OF 2.50" D.J. POLY HOSE



ALUMINUM BODY

NOTE
DIMENSIONS SHOWN ARE APPROXIMATE AND ARE SUBJECT TO MINOR DEVIATIONS AS MAY OCCUR OR BE NECESSARY IN CONSTRUCTION. MINOR DETAILS NOT SHOWN.

- ONSPOT AUTOMATIC TIRE CHAINS TO BE PROVIDED AT REAR
- BATTERY CHARGER LOCATED IN D3
- DUAL L.E.D. LIGHT STRIPS LOCATED IN HOSE BED
- ADJUSTABLE FULL WIDTH/DEPTH SHELVES TWO IN D3, P1, P2, AND P3 AND ONE IN R1
- ONE FLOOR MOUNTED SLIDE-OUT TRAY WITH 2" SIDES IN R1, P1, AND P3
- SLIDE-OUT TOOL BOARD WITH PEGBOARD PATTERN IN D1
- ONE SWING-OUT ALUMINUM TOOL BOARD IN D2
- CTECH DRAWER ASSEMBLY IN D3
- OIL DRY HOPPER WITH 150 LBS OF OIL DRY ABSORBENT IN HATCH COMPARTMENT ABOVE D3
- (1) 120V 6-PLACE RECEPTACLE STRIP IN EACH EHS CABINET AND IN P1 ON THE TANK WALL
- WHEEL CHOCKS AND MOUNTING BRACKETS (CTF)
- (1) 120 V DUPLEX RECEPTACLE NEXT TO THE OFFICERS SEAT ON THE CAB FLOOR
- 17' LITTLE GIANT LADDER SHIPPED LOOSE

REV	DATE	BY	CH	ENFORCER
07AUG17	LST	PPE		MAKE
26JUL17	LST	COR		PIERCE
29JUN17	LST	COR		MODEL

		JOB NO.	31238
		SCALE	1:24
CHASSIS DATA TITLE 1500-D-1030P 1000 GAL OF WATER W/ 30 GAL FOAM CELL 189" PUC RESCUE, (3) X-LAYS, LADDERS THRU BODY FOR CITY OF RICE LAKE RICE LAKE, MINNESOTA		DRAWN BY	LST
		CHECKED BY	KBO
DWG NO. 31238AD		SHEET SIZE	D
		SHEET NO.	1 OF 1