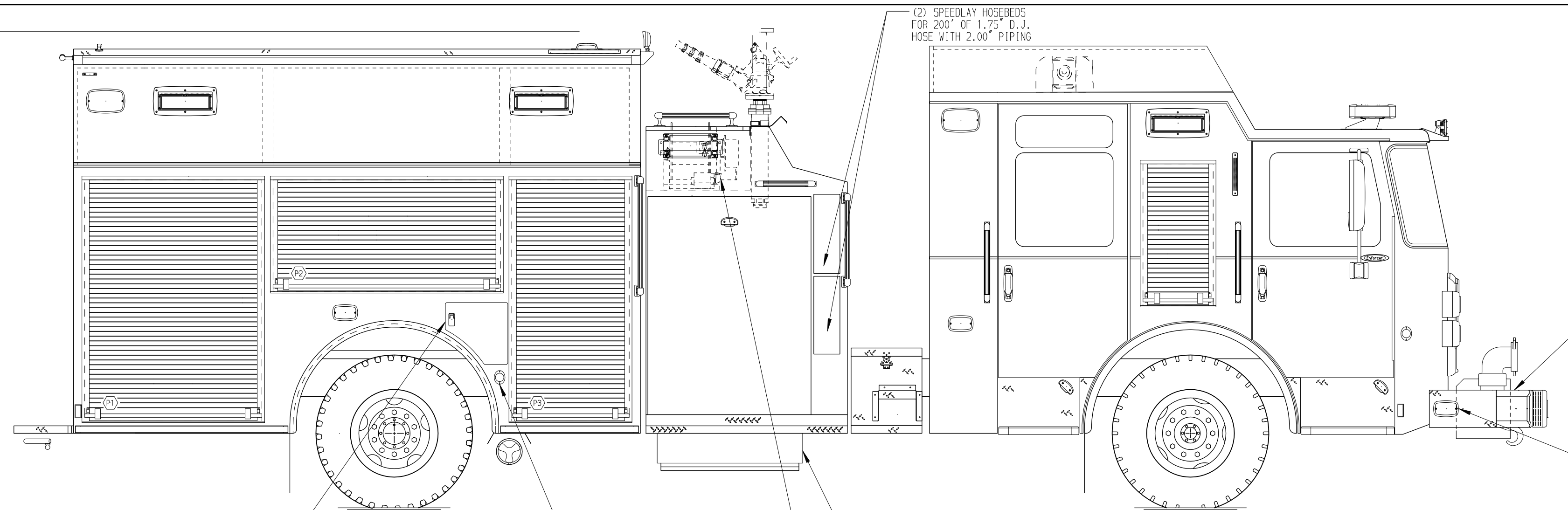


128.00
(10'-8")
APPROX
O.A.H.



(1) TRIPLE AIR BOTTLE COMPARTMENT WITH STAINLESS STEEL DOOR EACH SIDE

(1) WELDON 9185-8590-29 L.E.D. DIRECTIONAL/MARKER LIGHT EACH SIDE

(1) HANNAY ELECTRIC REWIND CORD REEL WITH 200' OF 10/3 CABLE AND CAPTIVE ROLLER ASSEMBLY (E1618-17-18)

RUNNING BOARD HOSE TRAY FOR 25' OF 5.00" SOFT SUCTION HOSE EACH SIDE

(2) FRP L.E.D. FLOODLIGHTS FOR DESIGNATED WALKWAY

15 GALLON FOAM CELL

WILL-BURT CHIEF NS2, 3-600 WHL LIGHT TOWER WITH (4) WHELEN PFP2 12V L.E.D. LIGHTS WITH PAINTED ALUMINUM ENCLOSURE

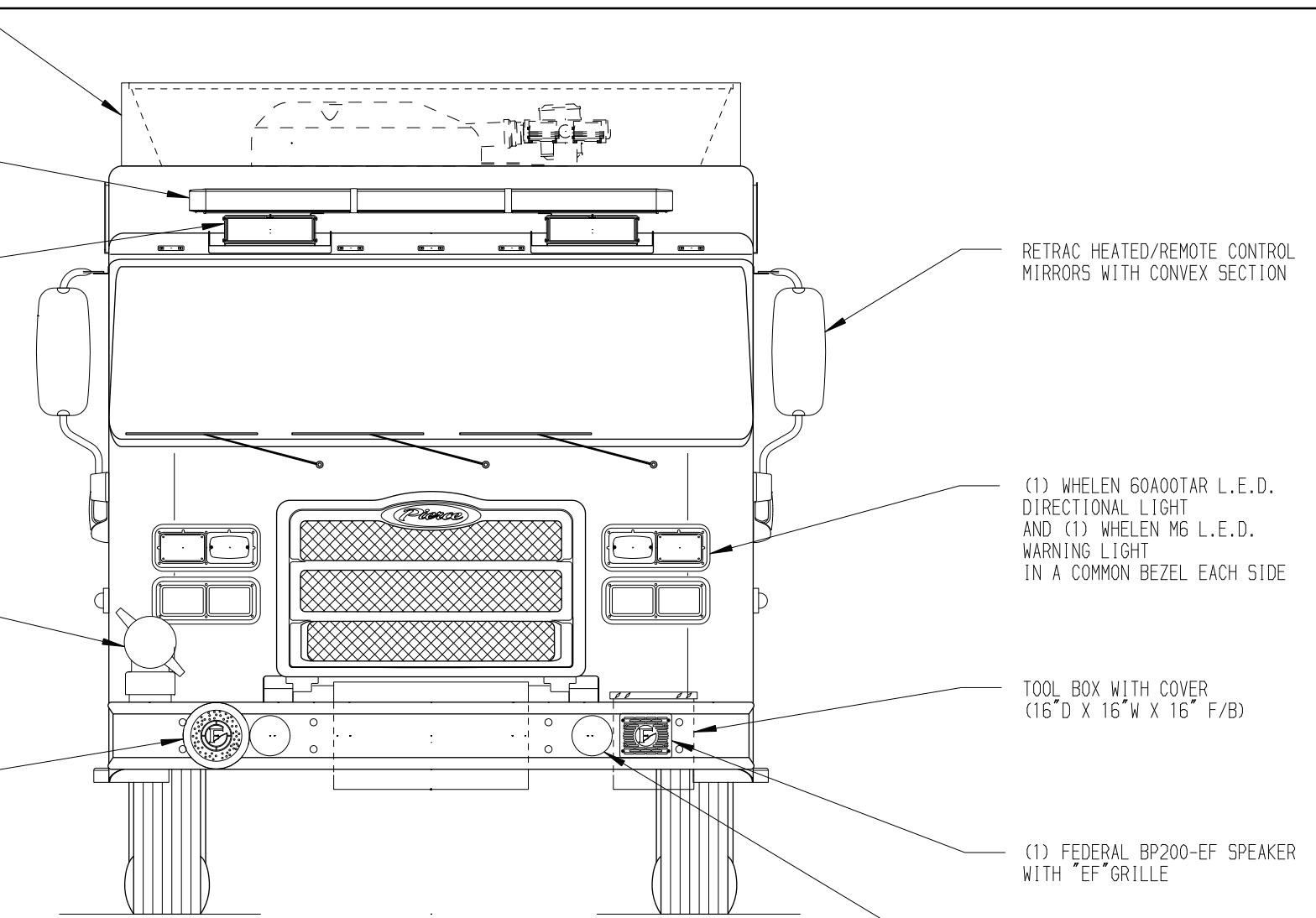
(2) WHELEN PIONEER PCH2 L.E.D. VISOR LIGHTS

22.00" BUMPER EXTENSION WITH CENTER TRAY FOR 1.75" HOSE AND (1) 1.50" OUTLET WITH 2.00" PIPING AND SWIVEL

6.00" FRONT INLET WITH 5.00" PIPING AND SWIVEL

(1) FEDERAL Q2B SIREN (RECESSED)

(3) WHELEN M6 L.E.D. WARNING LIGHTS EACH SIDE



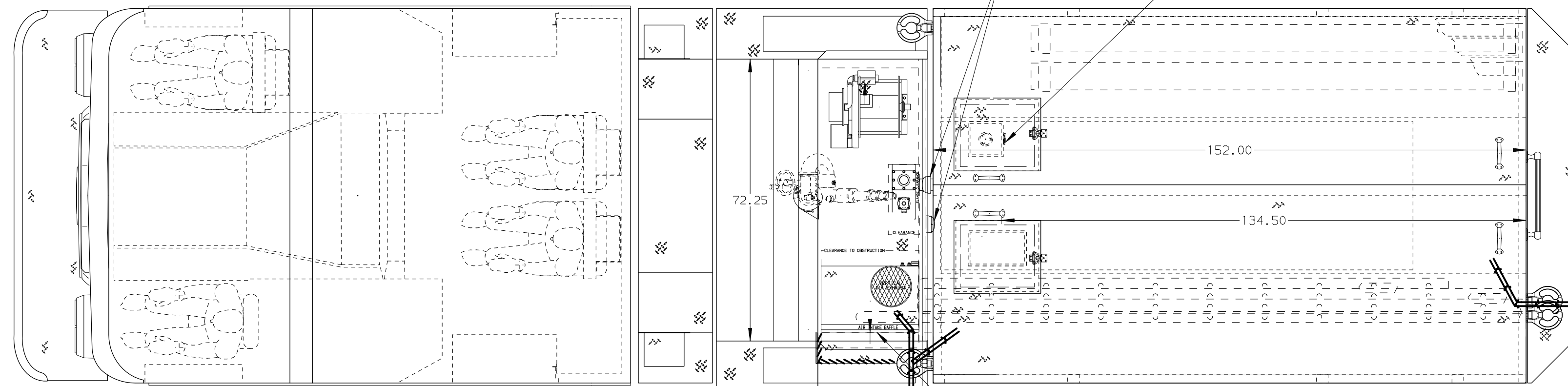
RETRACT HEATED/REMOTE CONTROL MIRRORS WITH CONVEX SECTION

(1) WHELEN 60400TAR L.E.D. DIRECTIONAL LIGHT AND (1) WHELEN M6 L.E.D. WARNING LIGHT IN A COMMON BEZEL EACH SIDE

TOOL BOX WITH COVER (16" D X 16" W X 16" F/B)

(1) FEDERAL BP200-EF SPEAKER WITH "EF" GRILLE

(2) GROVER AIR HORNS



HOSEBED CAPACITIES
 ① 400' OF 1.75" D.J. HOSE
 ② 600' OF 3.00" D.J. HOSE
 ③ 1500' OF 5.00" D.J. HOSE

SURFACE DESIGNATION AND PATHWAY MARKINGS

(2) HOSEBED DIVIDERS

(3) WHELEN PIONEER PFP2 L.E.D. SCENE LIGHTS EACH SIDE

(2) WHELEN M6 L.E.D. WARNING LIGHTS EACH SIDE

COMPARTMENT FOR THE FOLLOWING:
 (1) 28' 3-SECTION 1225A FLY IN
 (1) 14" ROOF 775A
 (1) 10" FOLDING 585A
 (1) 10" PIKE POLE
 (1) 6" PIKE POLE
 (2) PVC PIKE POLE TUBES

(1) 2.50" OUTLET

(1) CUP SWITCH FOR REAR SCENE LIGHTS

(1) CUP SWITCH FOR DS SIDE SCENE LIGHTS

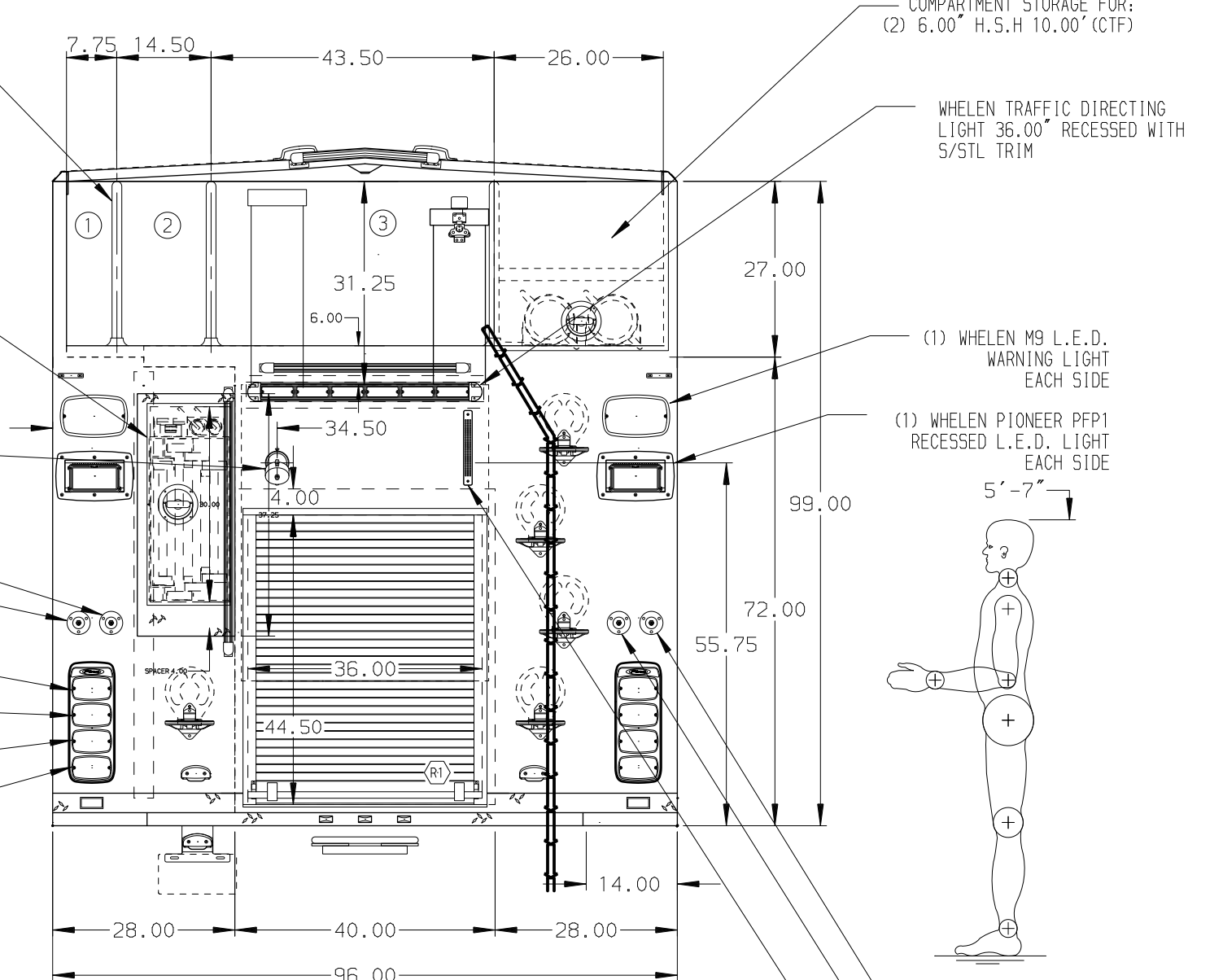
(2) WHELEN M6 L.E.D. WARNING LIGHTS

(2) WHELEN M6 L.E.D. STOP/TAIL LIGHTS

(2) WHELEN M6 L.E.D. DIRECTIONAL LIGHTS

(2) WHELEN M6 L.E.D. BACK-UP LIGHTS MOUNTED IN WHELEN M6 "PIERCE" BEZELS

(2) ZIAMATIC SAC-44-E FOLDING WHEEL CHOCKS



COMPARTMENT STORAGE FOR:
 (2) 6.00" H.S.H 10.00" (CTF)

WHELEN TRAFFIC DIRECTING LIGHT 36.00" RECESSED WITH 5/STL TRIM

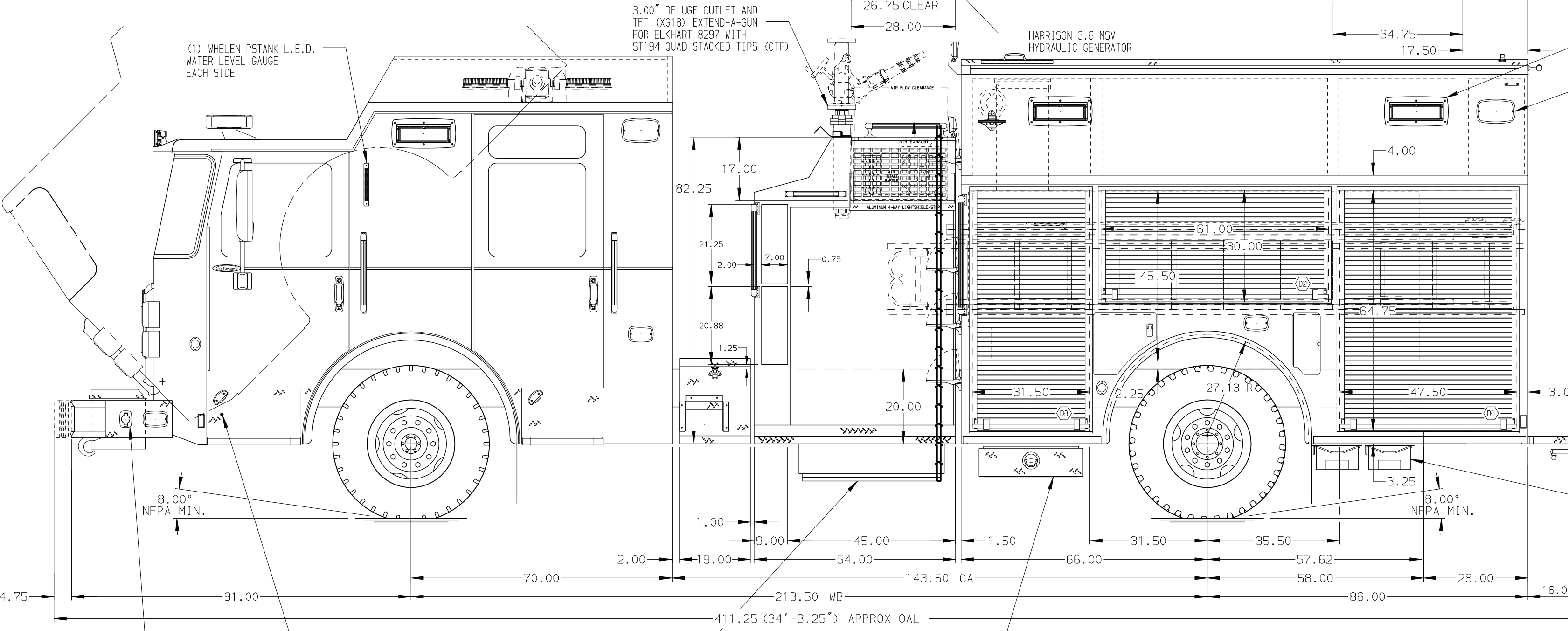
(1) WHELEN M6 L.E.D. WARNING LIGHT EACH SIDE

(1) WHELEN PIONEER PFP1 RECESSED L.E.D. LIGHT EACH SIDE

(1) CUP SWITCH FOR PS SIDE SCENE LIGHTS

(1) CUP SWITCH FOR HOSEBED LIGHTS

(1) WHELEN PSTANK L.E.D. WATER LEVEL GAUGE



(1) WHELEN PSTANK L.E.D. WATER LEVEL GAUGE EACH SIDE

3.00" DELUGE OUTLET AND TFF (X618) EXTEND-A-GUN FOR ELKHART 8297 WITH S1194 QUAD STACKED TIPS (CTF)

HARRISON 3.6 MGV HYDRAULIC GENERATOR

8.00" NFPA MIN.

SHORELINE RECEPTACLE WITH KUSSMAUL SUPER AUTO-EJECT

AIR INLET WITH DISCONNECT COUPLING

UNDER PUMP HEAT ENCLOSURE

BAG/CRIB COMPARTMENT DRIVER SIDE REAR

ALUMINUM BODY

SIDE ROLL & FRONTAL IMPACT PROTECTION

NOTE
 DIMENSIONS SHOWN ARE APPROXIMATE AND ARE SUBJECT TO MINOR DEVIATIONS AS MAY OCCUR OR BE NECESSARY IN CONSTRUCTION. MINOR DETAILS NOT SHOWN.

1. VOGEL LUBE SYSTEM PUMP LOCATED PER SHOP ORDER
2. BATTERY CHARGER/AIR COMPRESSOR LOCATED IN COMPARTMENT D3
3. BATTERY CHARGE INDICATOR LOCATED ON DRIVER'S SEAT RISER
4. ONE FULL WIDTH/DEPTH ADJUSTABLE SHELF IN COMPARTMENT D2, P2, TWO IN D1, D3, P1, & P3
5. ONE FLOOR MOUNTED SLIDE-OUT TRAY IN COMPARTMENT D1, D3, P1, P3, & R1
6. PARTITION BETWEEN COMPARTMENTS D1/R1 AND P1/R1
7. CIRCUIT BREAKER PANEL IN COMPARTMENT D3
8. ONE 250# ADJUSTABLE SLIDE-OUT TRAY LOCATED IN COMPARTMENT P1
9. ONE 215# ADJUSTABLE TILT/SLIDE-OUT TRAY LOCATED IN COMPARTMENT P1

REV	DATE	BY	CH	ENFORCER
27MAR18	MMF	PJP		CHASSIS DATA
01MAR18	MMF	PJP		MAKE
15JAN18	MMF	CCA		PIERCE
				MODEL

		JOB NO.	32059
		SCALE	DATE
TITLE	1500-D-765P 750 GAL OF WATER W/15 GAL FOAM CELL	DRAWN BY	04JAN18
FOR	LIBERTYVILLE FIRE DEPARTMENT	CHECKED BY	08JAN18
	LIBERTYVILLE, ILLINOIS	SHEET SIZE	SHEET NO.
DWG NO.	32059AD	D	1 OF 1