

RIGHT SIDE COMPARTMENTS CONTAIN THE FOLLOWING:

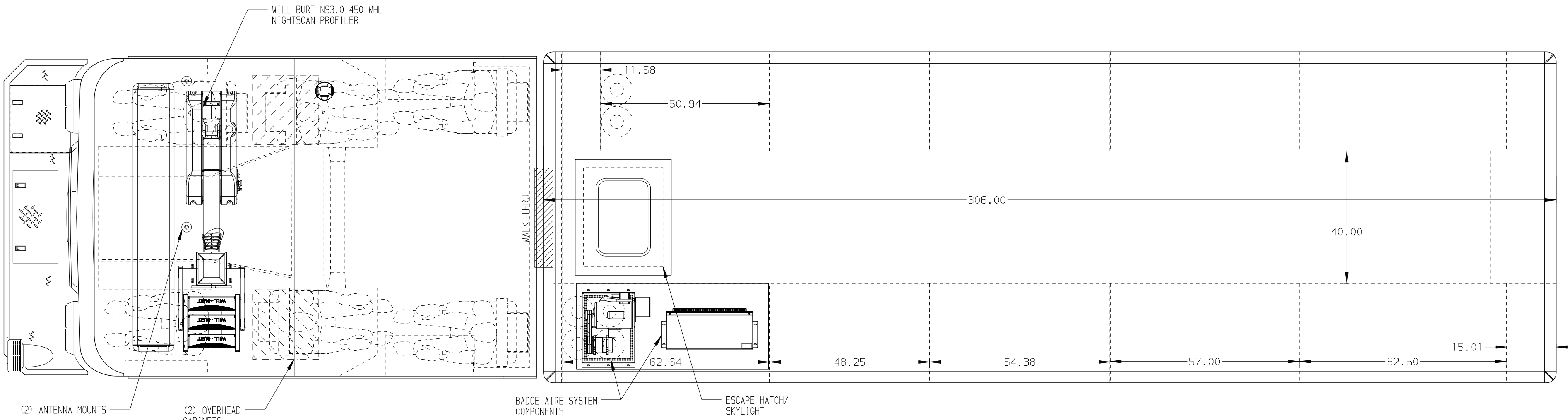
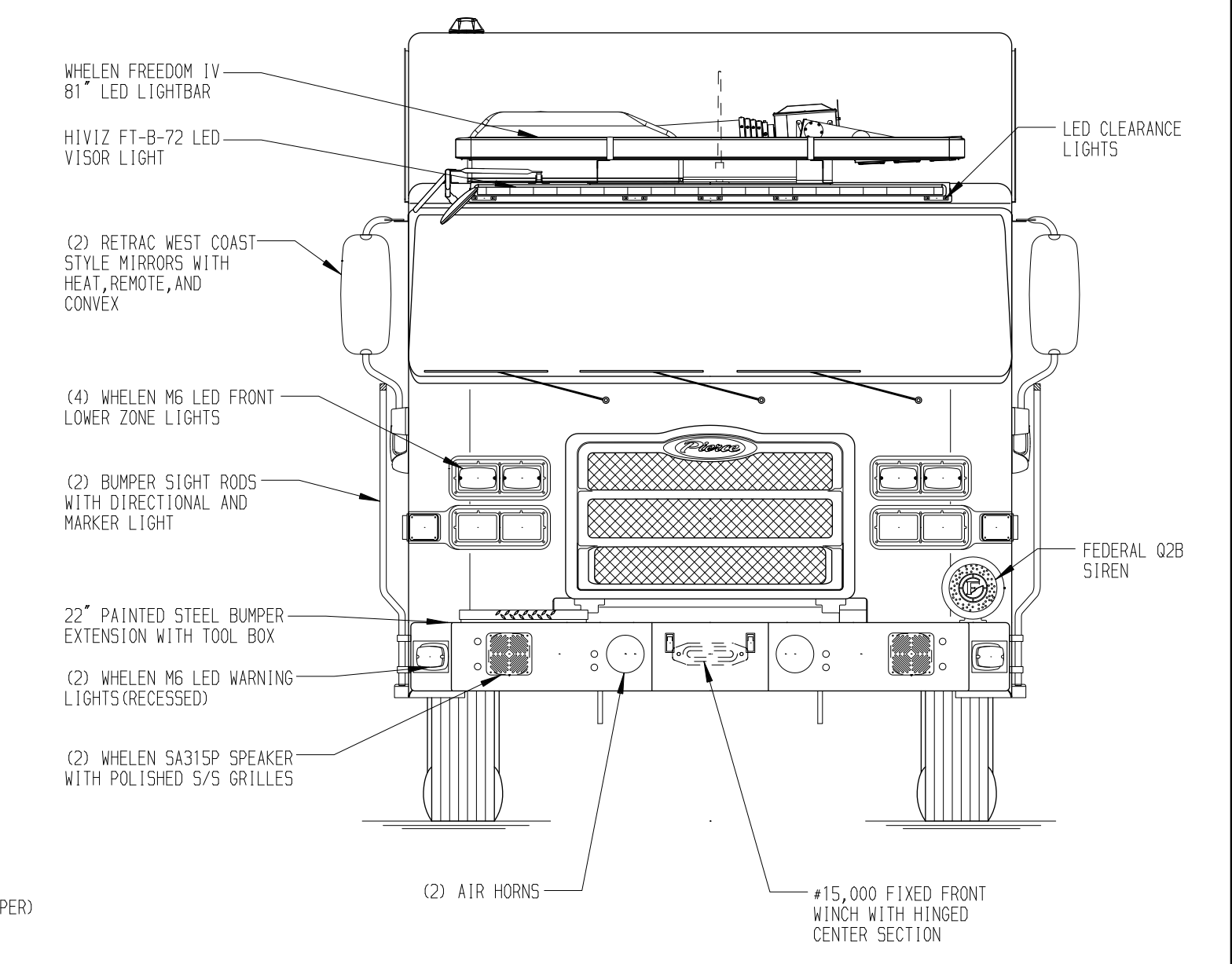
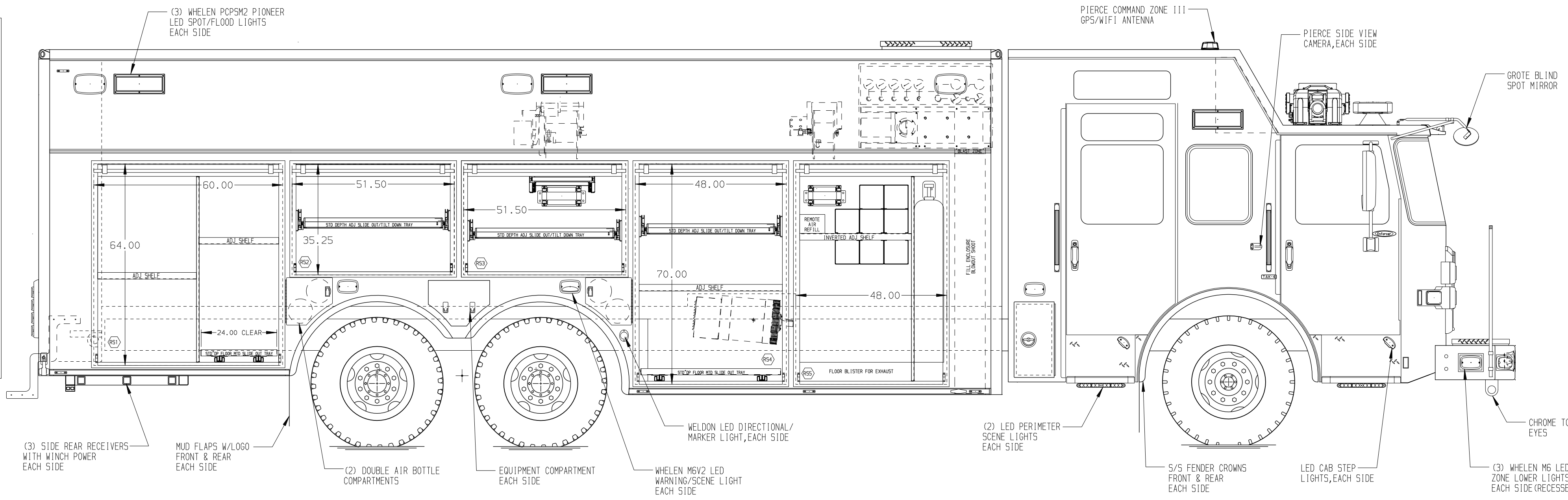
COMPARTMENT R51 CONTAINS:
 - (1) VERTICAL COMPARTMENT DIVIDER
 - (1) STD DEPTH FLOOR MTD SLIDE OUT TRAY
 - (2) STD DEPTH ADJ SHELVES

COMPARTMENT R52 CONTAINS:
 - (1) STD DEPTH ADJ SLIDE OUT/TILT TRAY

COMPARTMENT R53 CONTAINS:
 - (1) STD DEPTH ADJ SLIDE OUT/TILT TRAY
 - (1) ELECTRIC CORD REEL WITH 200' OF 10/4 YELLOW CORD
 - (1) SLIDE OUT ROLLER GUIDE BRACKET

COMPARTMENT R54 CONTAINS:
 - (1) STD DEPTH FLOOR MTD SLIDE OUT TRAY
 - (1) STD DEPTH ADJ SHELF
 - (1) STD DEPTH ADJ SLIDE OUT/TILT TRAY

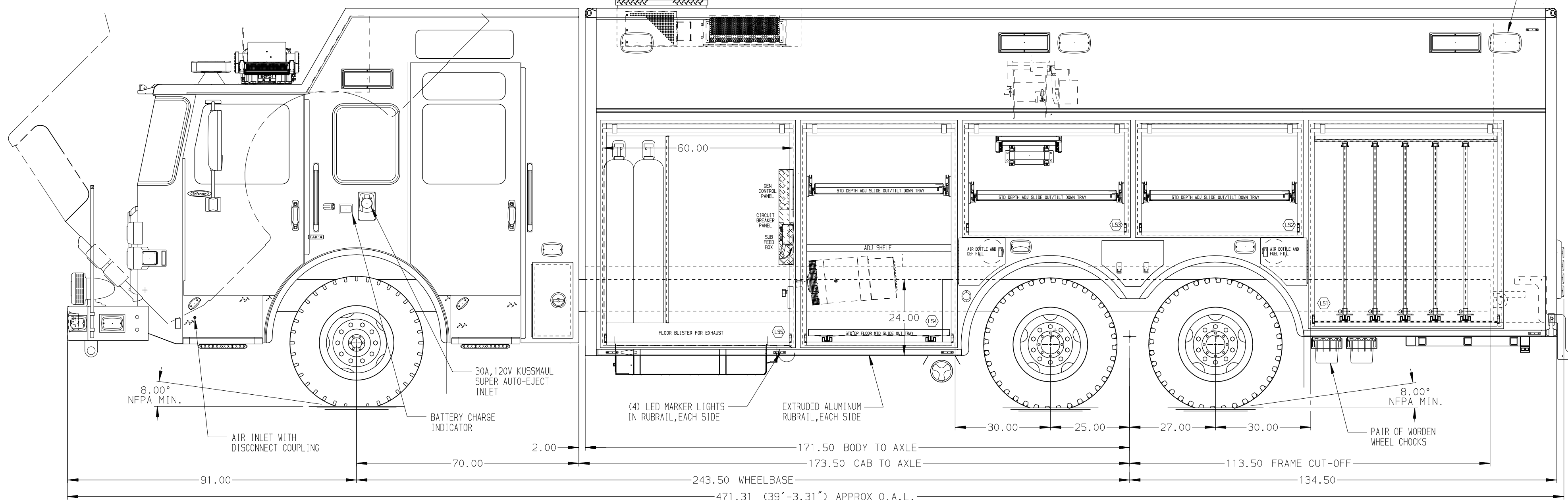
COMPARTMENT R55 CONTAINS:
 - (1) VERTICAL COMPARTMENT DIVIDER
 - (1) HIGH PRESSURE AIR REEL W/200' OF HOSE
 - (2) 6000 UN AIR STORAGE BOTTLES
 - (1) RACK FOR 8 SCBA BOTTLES
 - (1) ADJ SHELF FOR AIR BOTTLE RACK
 - (1) REMOTE REFILL FOR AIR SYSTEM



REAR COMPARTMENT CONTAINS THE FOLLOWING:

COMPARTMENT B1 CONTAINS:

COMPARTMENT B2 CONTAINS:



LEFT SIDE COMPARTMENTS CONTAIN THE FOLLOWING:

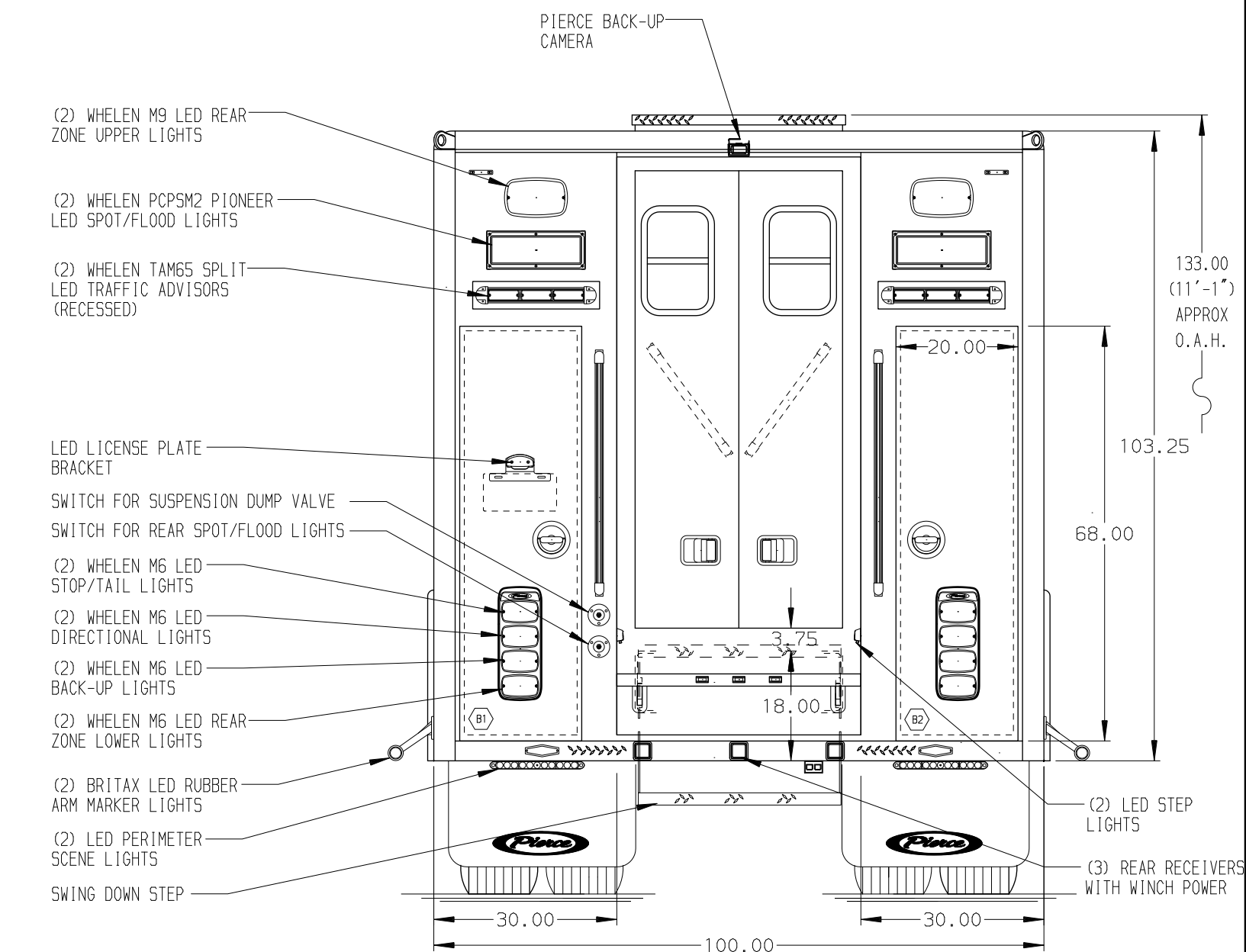
COMPARTMENT L51 CONTAINS:
 - (5) STD DEPTH ADJ SLIDE OUT TOOLBOARDS

COMPARTMENT L52 CONTAINS:
 - (1) STD DEPTH ADJ SLIDE OUT/TILT TRAY

COMPARTMENT L53 CONTAINS:
 - (1) STD DEPTH ADJ SLIDE OUT/TILT TRAY
 - (1) ELECTRIC CORD REEL WITH 200' OF 10/4 YELLOW CORD
 - (1) SLIDE OUT ROLLER GUIDE BRACKET

COMPARTMENT L54 CONTAINS:
 - (1) STD DEPTH FLOOR MTD SLIDE OUT TRAY
 - (1) STD DEPTH ADJ SHELF
 - (1) STD DEPTH ADJ SLIDE OUT/TILT TRAY

COMPARTMENT L54 CONTAINS:
 - (1) CAB LIFT CONTROLLER
 - (1) NIGHT SCAN CONTROLLER
 - (1) CIRCUIT BREAKER PANEL
 - (1) GENERATOR METER PANEL
 - (2) SUB FEED BOXES
 - (1) VERTICAL COMPARTMENT DIVIDER
 - (4) 6000 UN AIR STORAGE BOTTLES



NOTE
 DIMENSIONS SHOWN ARE APPROXIMATE AND ARE SUBJECT TO MINOR DEVIATIONS AS MAY OCCUR OR BE NECESSARY IN CONSTRUCTION. MINOR DETAILS NOT SHOWN.

NOTES:

- ONAN 30kW SINGLE PHASE PTO DRIVEN GENERATOR WITH SPLASH GUARD LOCATED BETWEEN THE FRAME RAILS
- KUSSMAUL BRAKE SYSTEM AIR COMPRESSOR LOCATED BEHIND DRIVER'S SEAT
- WARN #9,000 PORTABLE RECEIVER STYLE WINCH
- BRUSHED S/S SCUFFPLATES ON REAR OF ENGINE TUNNEL
- POLISHED S/S SCUFFPLATES ON CAB DOOR JAMBS
- FLOOR IN CAB AND CREW CAB TO BE PADDED RUBBER
- 10A 55 AMP CHARGER LOCATED BEHIND THE DRIVER'S SEAT
- PULL STRAPS ON ALL BODY ROLL-UP DOORS WITH HOOK AND LOOP RETAINER
- S/S 1" SHARPED GUARDS ON ALL BODY ROLL-UP DOORS
- PIERCE DUAL LED STRIP LIGHTS IN ALL EXTERIOR BODY COMPARTMENTS
- 15/20A, 120V DUPLEX RECEPTACLES LOCATED BEHIND THE DRIVER AND OFFICER'S SEATS AND IN EACH OVERHEAD CABINET

CLEAR DOOR WIDTH KEY

AMOR ROLL UP DOORS:	-2 1/4"
CORTITE ROLL UP DOORS:	-2 1/2"
PIERCE DOUBLE LAP DOORS:	-4 1/4"
PIERCE LIFT-UP LAP DOORS:	-1 1/2"

(EX: 60" F-F - 2 1/4" = 57 3/4" CLEAR)
 (F-F) = FRAME TO FRAME

(SIDE ROLL & FRONTAL IMPACT PROTECTION)

Pierce MANUFACTURING INC.	JOB NO.	32668
	SCALE	DATE
TITLE	HEAVY DUTY RESCUE WALKIN	DRAWN BY
	DHE	30AUG18
FOR	NORTH LEBANON FIRE & RESCUE JONESTOWN, PA	CHECKED BY
	RANDY UHRICH	AZU
DWG NO.	32668AD-SH1	SHEET SIZE
	D	SHEET NO.
		1 OF 1