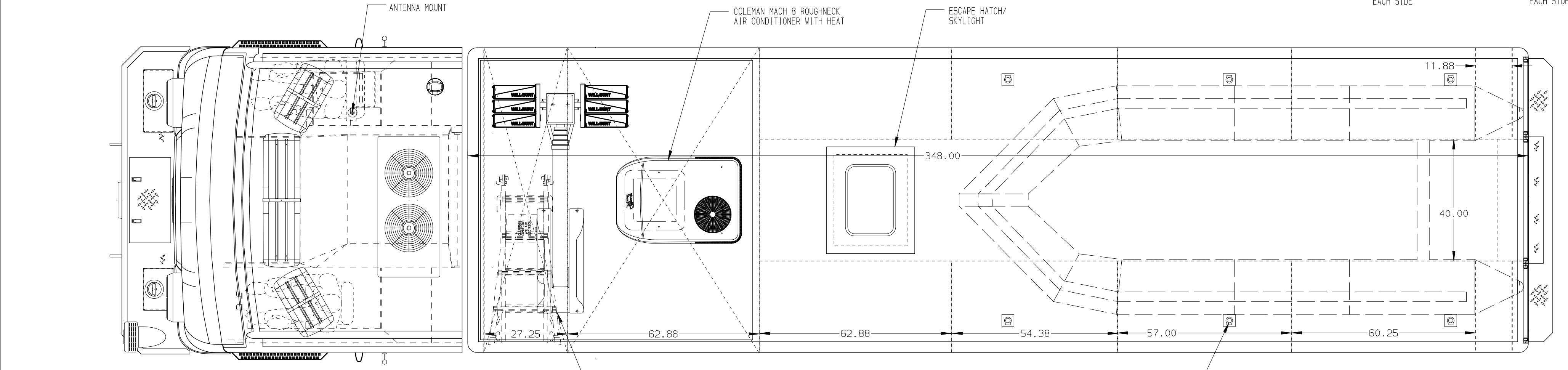
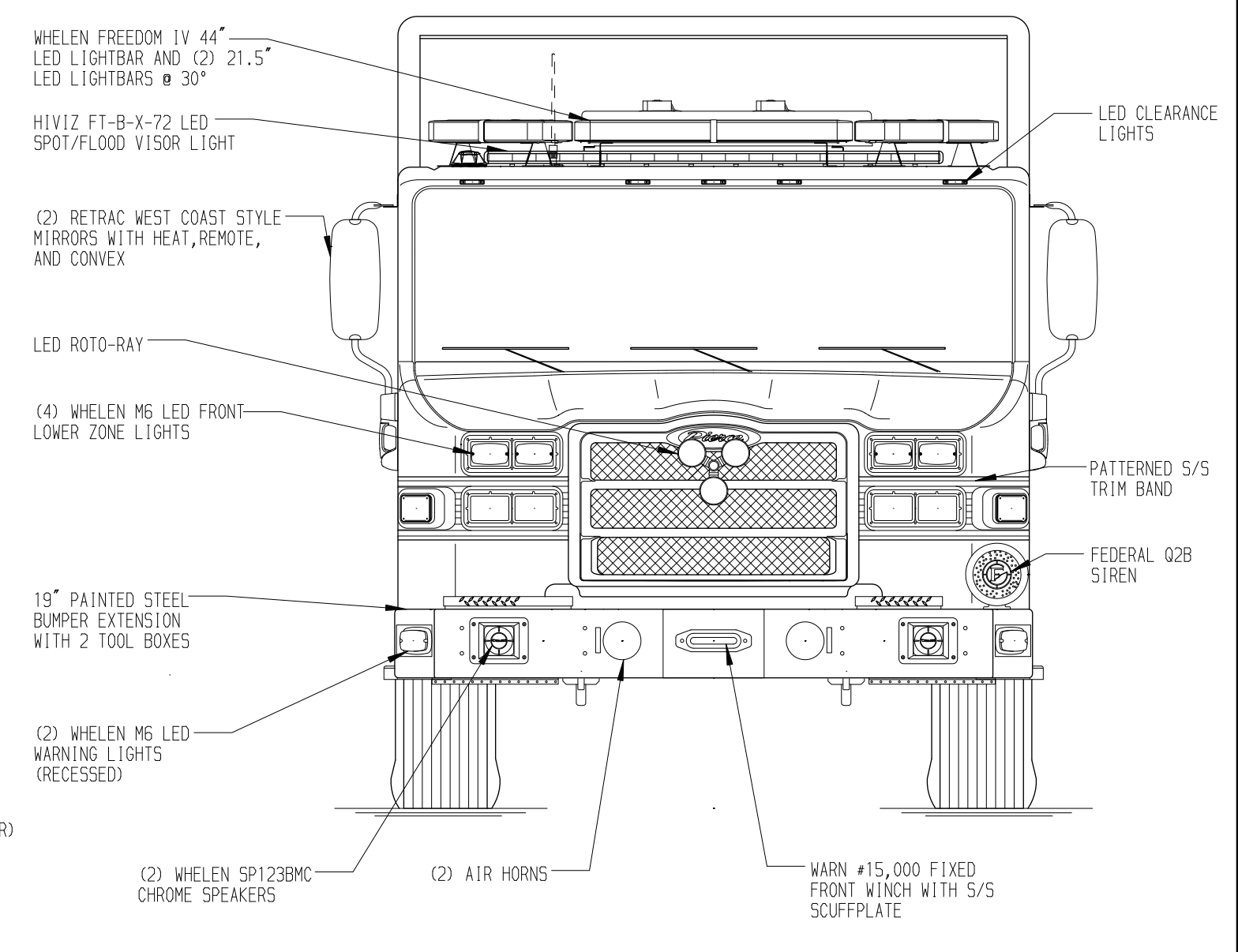
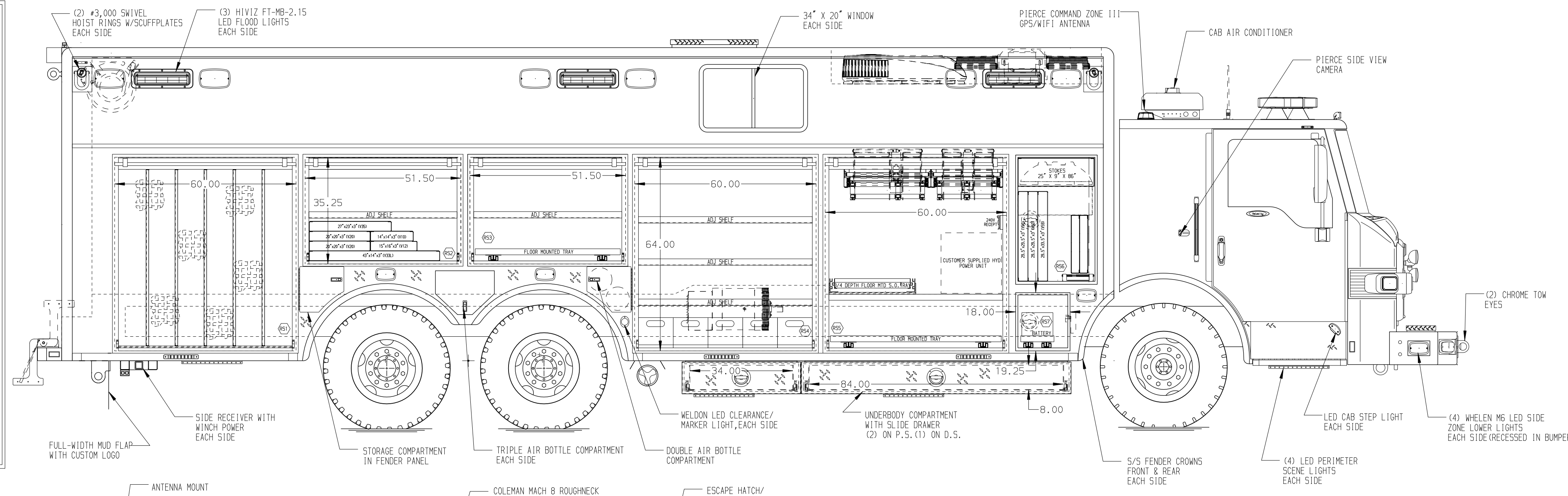
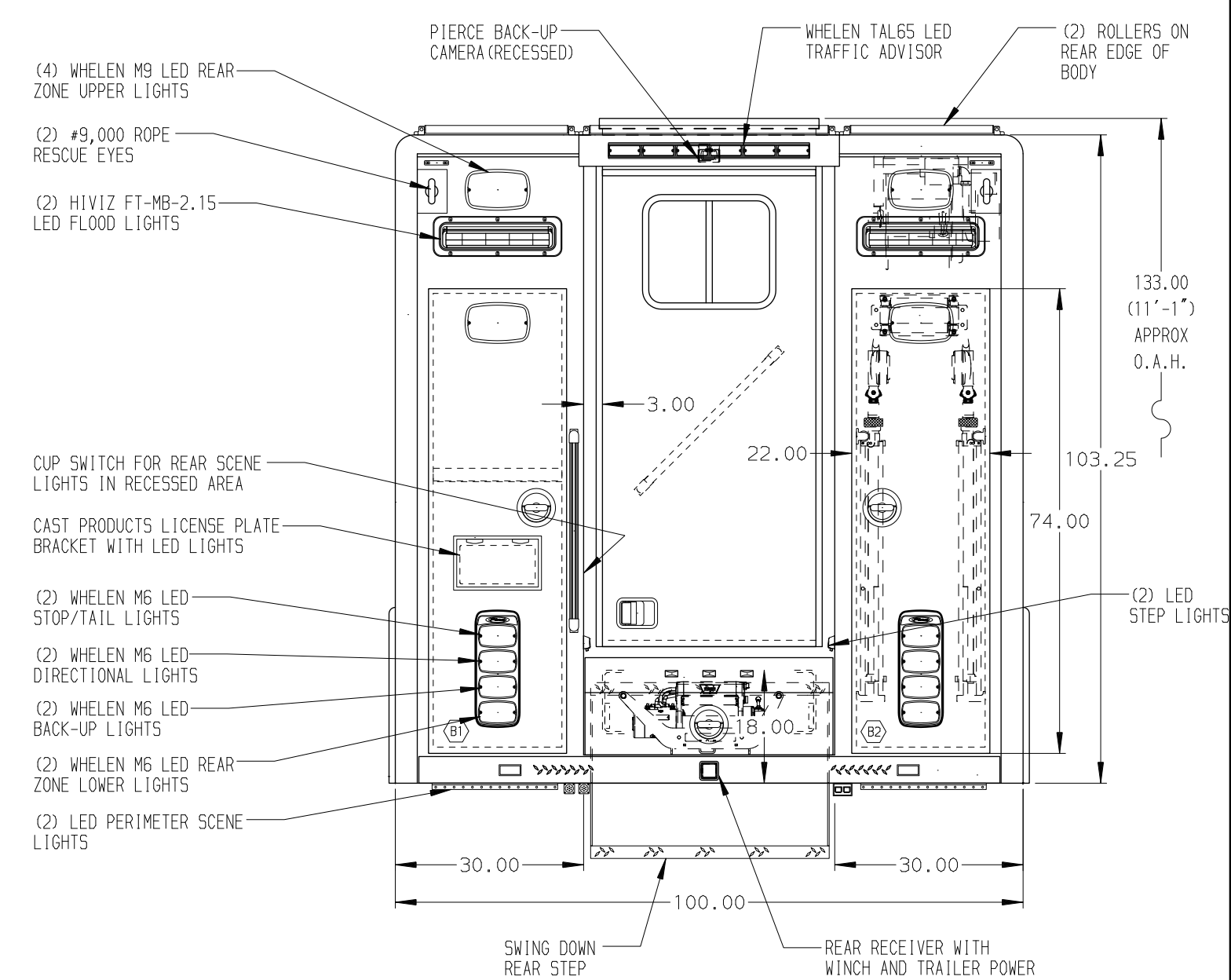
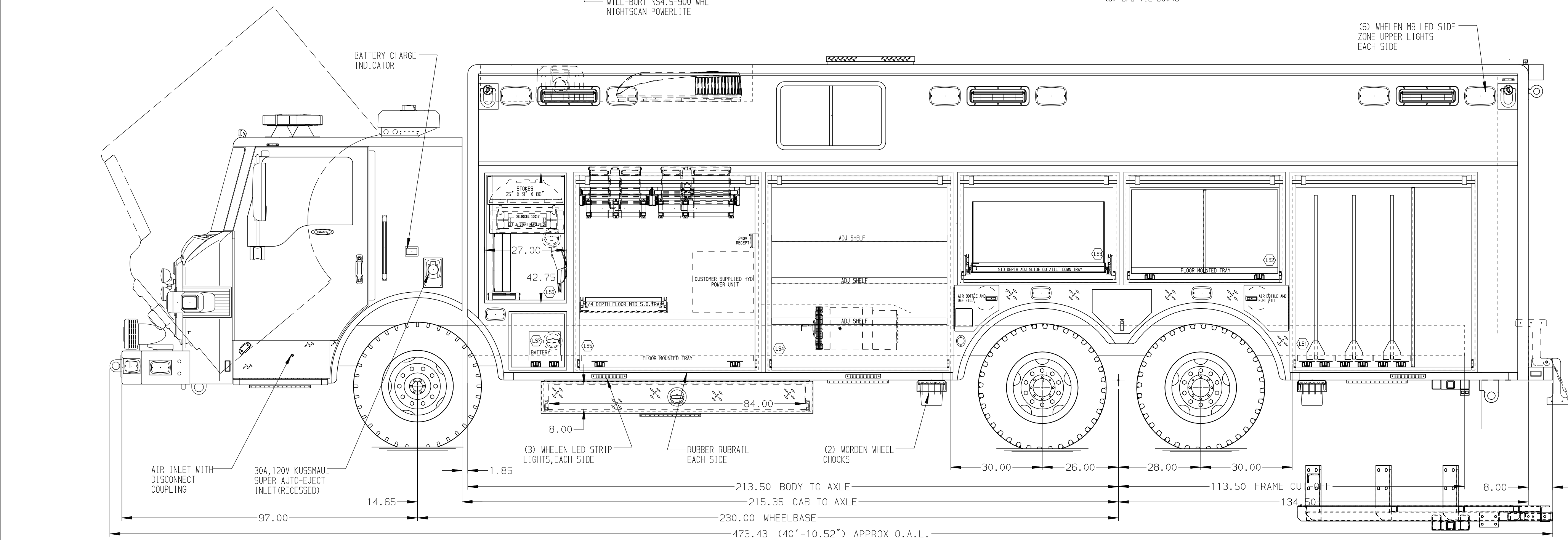


- RIGHT SIDE COMPARTMENTS CONTAIN THE FOLLOWING:**
- COMPARTMENT RS1 CONTAINS:**
    - CARGO RETENTION NETTING
    - (3) ADJ VERTICAL COMPARTMENT DIVIDERS
    - FALSE FLOOR TO BE EVEN WITH SHELF TRACK
  - COMPARTMENT RS2 CONTAINS:**
    - (1) STD DEPTH ADJ SHELF
    - (1) RACK FOR 6 AIR BAGS
  - COMPARTMENT RS3 CONTAINS:**
    - (1) STD DEPTH FLOOR MOUNTED TRAY
    - (1) STD DEPTH ADJ SHELF
  - COMPARTMENT RS4 CONTAINS:**
    - (3) STD DEPTH ADJ SHELVES
    - (5) POLY TOOL BOXES
  - COMPARTMENT RS5 CONTAINS:**
    - (1) 3/4 DEPTH FLOOR MTD SLIDE OUT TRAY
    - (1) STD DEPTH FLOOR MTD SLIDE OUT TRAY
    - (1) HORIZONTAL FLOOR EXTENSION
    - (1) 30A, 240V T.L. RECEPTACLE
    - (1) CMW DUAL ELEC/HYDRAULIC REEL WITH 200' OF 10/3 YELLOW CORD AND CAPACITY FOR 100' OF HYDRAULIC HOSE
    - (1) CMW DUAL HYDRAULIC REEL WITH CAPACITY FOR 100' OF HOSE ON EACH SIDE
    - (2) SLIDE OUT ROLLER GUIDE BRACKETS
  - COMPARTMENT RS6 CONTAINS:**
    - (1) RACK FOR 3 AIR BAGS
    - (1) RACK FOR LITTLE GIANT LADDER
    - (1) RACK FOR STOKES BASKET
    - (1) RACK FOR 2 BACKBOARDS



- LEFT SIDE COMPARTMENTS CONTAIN THE FOLLOWING:**
- COMPARTMENT LS1 CONTAINS:**
    - (3) STD DEPTH FLOOR MTD SLIDE OUT TRAYS WITH TOOLBOARDS
    - (1) VERTICAL COMPARTMENT DIVIDER
  - COMPARTMENT LS2 CONTAINS:**
    - (1) STD DEPTH FLOOR MTD SLIDE OUT TRAY WITH DIVIDER AND BACK WALL
  - COMPARTMENT LS3 CONTAINS:**
    - (1) STD ADJ SLIDE OUT/TILT TRAY WITH DIVIDER AND BACK WALL
  - COMPARTMENT LS4 CONTAINS:**
    - (3) STD DEPTH ADJ SHELVES
  - COMPARTMENT LS5 CONTAINS:**
    - (1) 3/4 DEPTH FLOOR MTD SLIDE OUT TRAY
    - (1) STD DEPTH FLOOR MTD SLIDE OUT TRAY
    - (1) HORIZONTAL FLOOR EXTENSION
    - (1) 30A, 240V T.L. RECEPTACLE
    - (1) CMW DUAL ELEC/HYDRAULIC REEL WITH 200' OF 10/3 YELLOW CORD AND CAPACITY FOR 100' OF HYDRAULIC HOSE
    - (1) CMW DUAL HYDRAULIC REEL WITH CAPACITY FOR 100' OF HOSE ON EACH SIDE
    - (2) SLIDE OUT ROLLER GUIDE BRACKETS
  - COMPARTMENT LS6 CONTAINS:**
    - (1) RACK FOR LITTLE GIANT LADDER
    - (1) RACK FOR STOKES BASKET
    - (1) NIGHT SCAN CONTROLLER
    - (1) RACK FOR 2 BACKBOARDS

- REAR COMPARTMENT CONTAINS THE FOLLOWING:**
- COMPARTMENT B1 CONTAINS:**
    - (1) SPECIAL DEPTH ADJ SHELF
  - COMPARTMENT B2 CONTAINS:**
    - (2) FIRE RESEARCH SPA656-K20-ON-603 LED TRIPOD LIGHTS
    - (1) ELECTRIC CORD REEL WITH 200' OF 10/3 YELLOW CORD



**NOTE**  
DIMENSIONS SHOWN ARE APPROXIMATE AND ARE SUBJECT TO MINOR DEVIATIONS AS MAY OCCUR OR BE NECESSARY IN CONSTRUCTION. MINOR DETAILS NOT SHOWN.

- NOTES:**
1. 0NAN 30KW SINGLE PHASE PTO DRIVEN GENERATOR WITH SPLASH GUARD LOCATED BETWEEN THE FRAME RAILS
  2. POLISHED S/S SCUFFPLATES ON CAB DOOR JAMBS
  3. FLOOR IN CAB AND CREW CAB TO BE PADDED RUBBER
  4. FIRECOM 51000 8-POSITION INTERCOM SYSTEM
  5. KUSSMUL PUMP PLUS CHARGER LOCATED BEHIND THE DRIVER'S SEAT
  6. S/S GUARDS OVER ALL BODY ROLL-UP DOORS
  7. PIERCE DUAL LED LIGHT STRIPS IN ALL EXTERIOR BODY COMPARTMENTS

(SIDE ROLL AND FRONTAL IMPACT PROTECTION)

CLEAR DOOR WIDTH KEY		REV	DATE	BY	CH	MAKE	MODEL
AMDR ROLL UP DOORS:	-2 1/4"	08JAN19	DHE	CDK	CHASSIS DATA	PIERCE	VX1500
CORTITE ROLL UP DOORS:	-2 1/2"	21DEC18	DHE	CDK	MAKE	PIERCE	
PIERCE DOUBLE LIP DOORS:	-4 1/4"	22OCT18	DHE	CDK	MAKE	PIERCE	
PIERCE LIFT-UP LAP DOORS:	-1 1/2"	18OCT18	DHE	CDK	MAKE	PIERCE	
(EX: 60" F-F - 2 1/4" = 57 3/4" CLEAR)		18SEP18	DHE	CDK	MODEL	PIERCE	
(F-F) = FRAME TO FRAME							

<b>Pierce MANUFACTURING INC.</b>		JOB NO.	32686
		SCALE	DATE
		1:24	
TITLE	HEAVY DUTY RESCUE WALKIN	DRAWN BY	DHE 06SEP18
FOR	COTTON VOL. FIRE DEPT INC COTTON, NC	CHECKED BY	AZU 07SEP18
DWG NO.	32686AD-SH1	SHEET SIZE	SHEET NO.
		D	1 OF 1