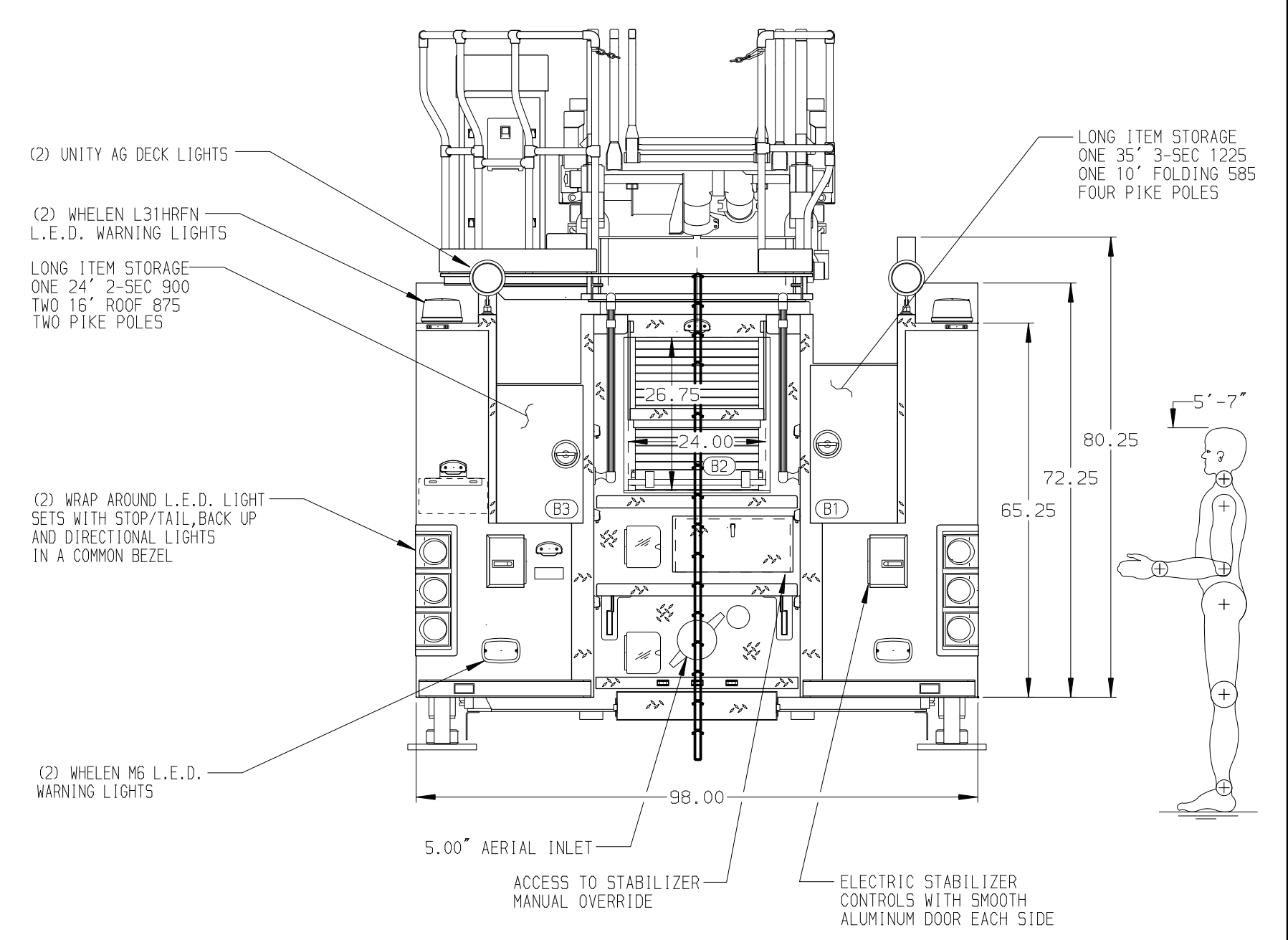


<p>BODY</p> <p>75' HAL Aluminum Body</p> <p>COMPT, LEFT SIDE FRONT Full Height RollUp Forward</p> <p>COMPT, LEFT SIDE REAR Full Height RollUp Rearward</p> <p>COMPT, RIGHT SIDE FRONT Full Height RollUp Forward</p> <p>COMPT, RIGHT SIDE REAR Full Height RollUp Rearward</p>	<p>WATER TANK</p> <p>500 Gallon Poly Water Tank</p> <p>Foam System Plumbing for Future Husky Foam System</p> <p>Foam Cell Foam Cell Not Required</p>
---	---



<p>CHASSIS Enforcer Chassis ENGINE 400 HP Cummins L9 Engine</p>	<p>CAB 7000 Enforcer Cab BUMPER 19" Extended Stainless Steel</p>	<p>AXLE, FRONT, CUSTOM 19,500 Lb TAK-4 Axle AXLE, REAR 33,500 Lb Meritor Axle</p>	<p>TRANSMISSION Allison 5th Gen, 3000 EVS P</p>	<p>PUMPHOUSE 45" Control Zone Side Mount PUMP 1500 GPM Waterous CSU</p>	<p>CROSSLAYS, 1.50" (2) 1.50" Standard Capacity CROSSLAYS, 2.50" 2.50" Crosslay Not Required</p>	<p>SPEEDLAYS Speedlays Not Required GENERATOR Generator Not Required</p>	<p>CUSTOMER APPROVAL APPROVED BY: _____ DATE: _____</p>	<p>Pierce MANUFACTURING INC.</p>	<p>JOB NO. 33584 SCALE 1:24 DATE _____</p>	
<p>NOTE DIMENSIONS SHOWN ARE APPROXIMATE AND ARE SUBJECT TO MINOR DEVIATIONS AS MAY OCCUR OR BE NECESSARY IN CONSTRUCTION. MINOR DETAILS NOT SHOWN.</p>										
<p>1. ONE 1.50" OUTLET WITH 2.00" PIPING AND SWIVEL LOCATED IN CENTER BUMPER TRAY 2. SHORELINE RECEPTACLE WITH KUSSMALL SUPER AUTO-EJECT LOCATED ON DRIVER SIDE OF THE CAB 3. AIR INLET WITH DISCONNECT COUPLING IN THE DRIVER SIDE STEPWELL 4. BATTERY CHARGER LOCATED IN COMPARTMENT PER SHOP ORDER 5. BATTERY CHARGE INDICATOR LOCATED PER SHOP ORDER 6. FOUR ADJUSTABLE SHELVES IN COMPARTMENTS PER SHOP ORDER 7. 7.00" AERIAL LIMITED RETRACTION 8. 1.50" RAISED AERIAL PEDESTAL 9. 1500 GPM HIGH FLOW WATERWAY 10. TRIDENT FOLDING STEPS ON AERIAL DEVICE</p>										
<p>25 JUN 19 LWE DJS REV DATE BY CH</p>								<p>CHASSIS DATA MAKE PIERCE MODEL ENFORCER</p>	<p>TITLE 75 AERIAL LADDER & BODY ASSEMBLY FOR PIERCE FIELD UNIT APPLETON, WI DWG NO. 33584AD</p>	<p>DRAWN BY LWE 03 APR 19 CHECKED BY THS 08 APR 19 SHEET SIZE D SHEET NO. 1 OF 1</p>