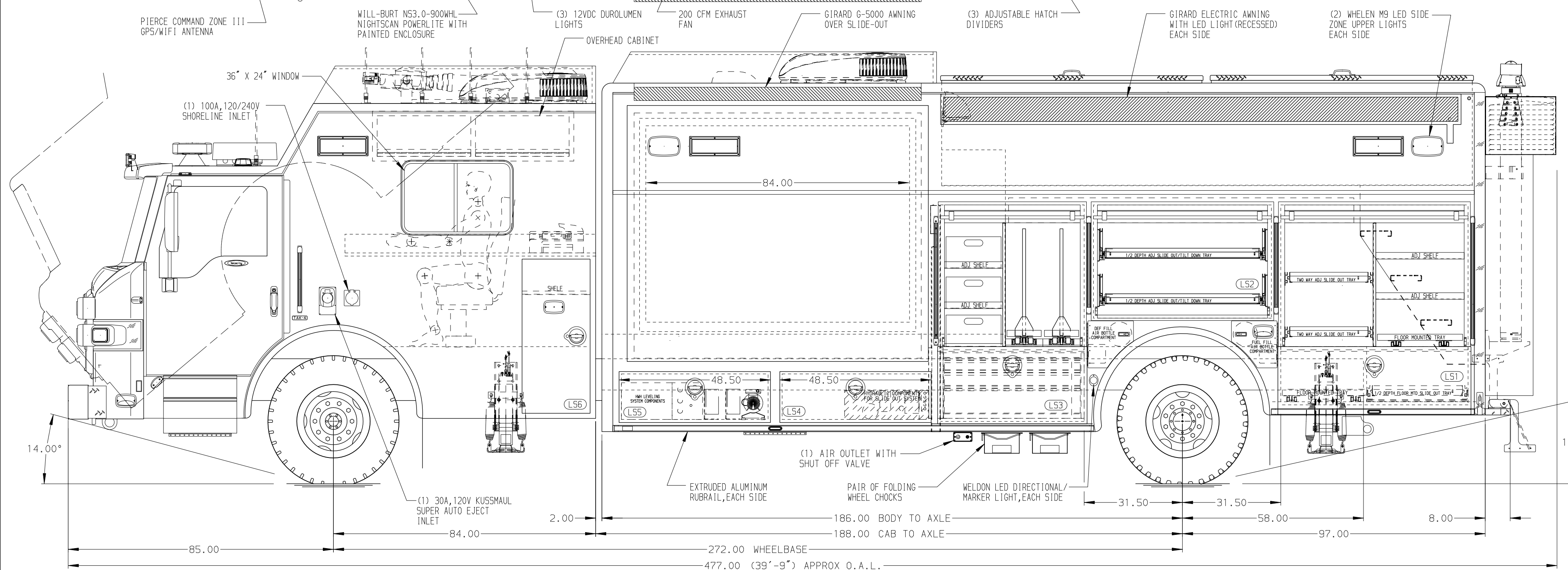
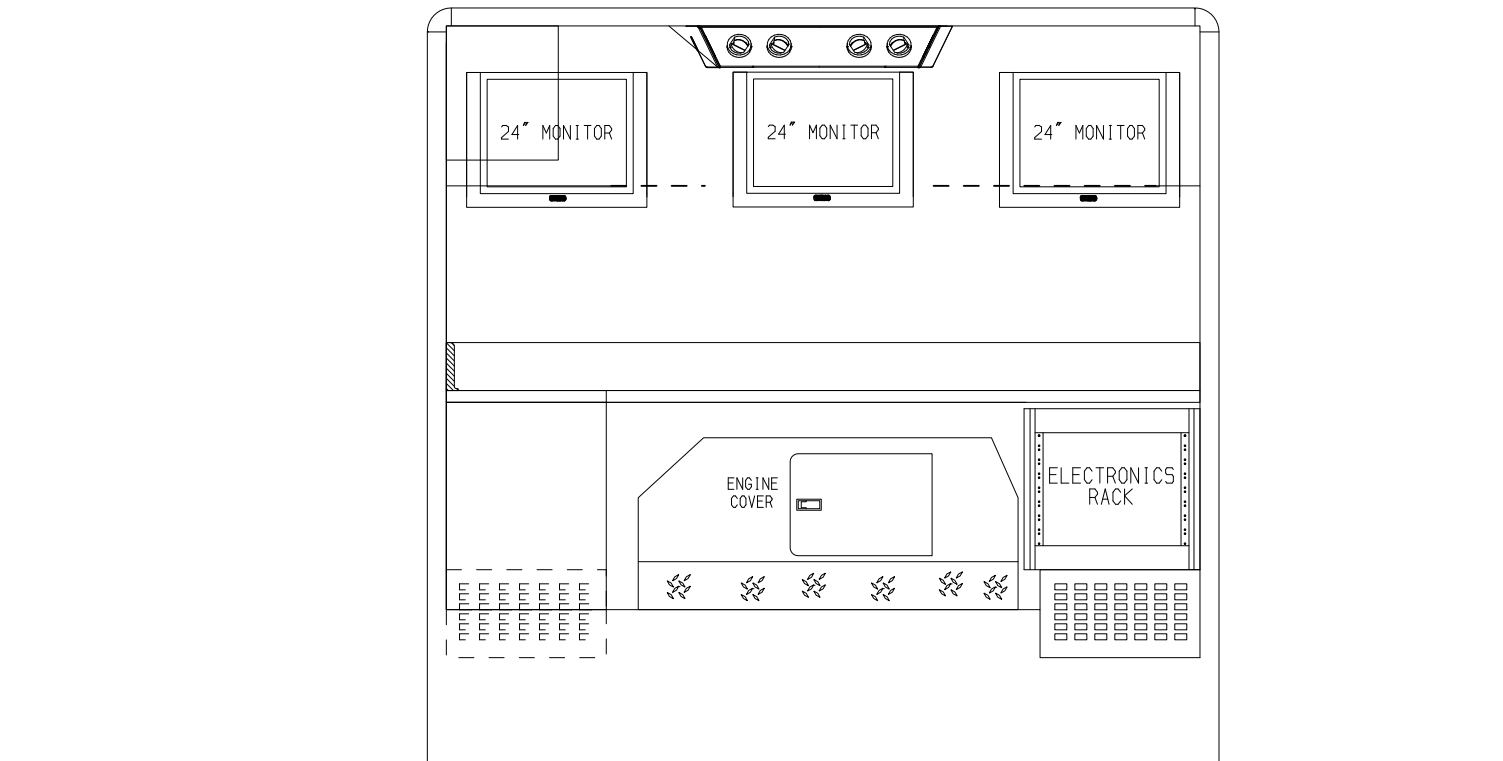
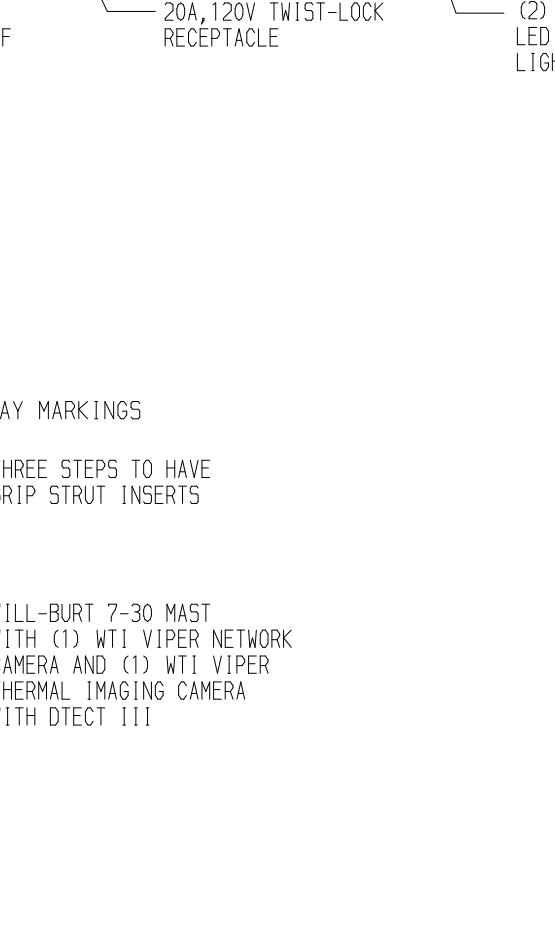
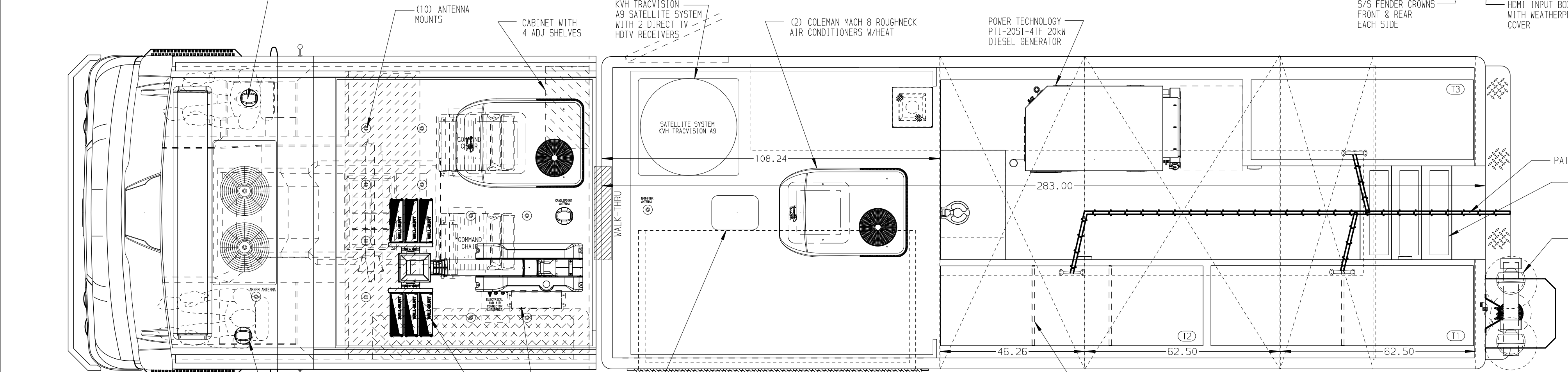
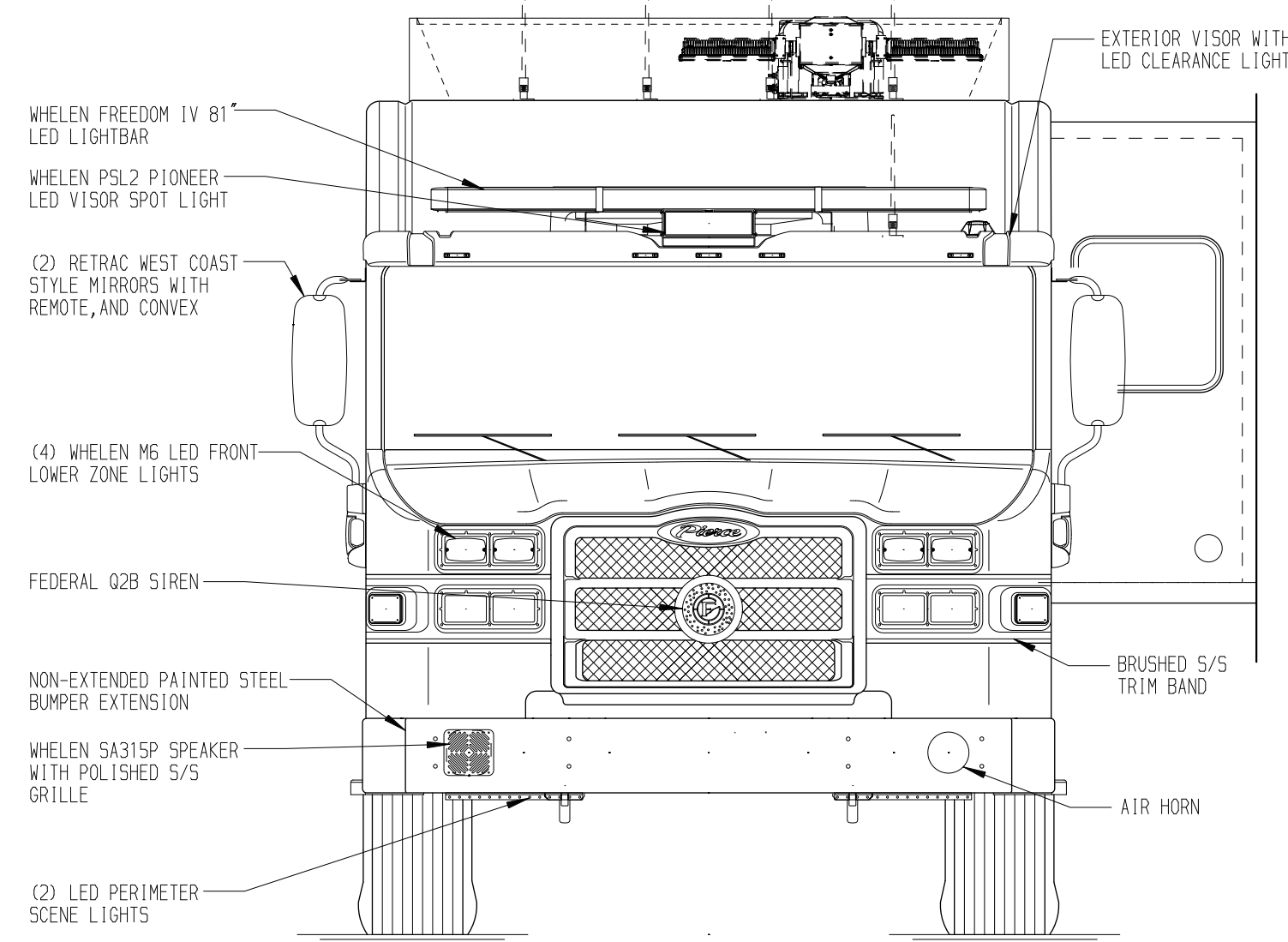
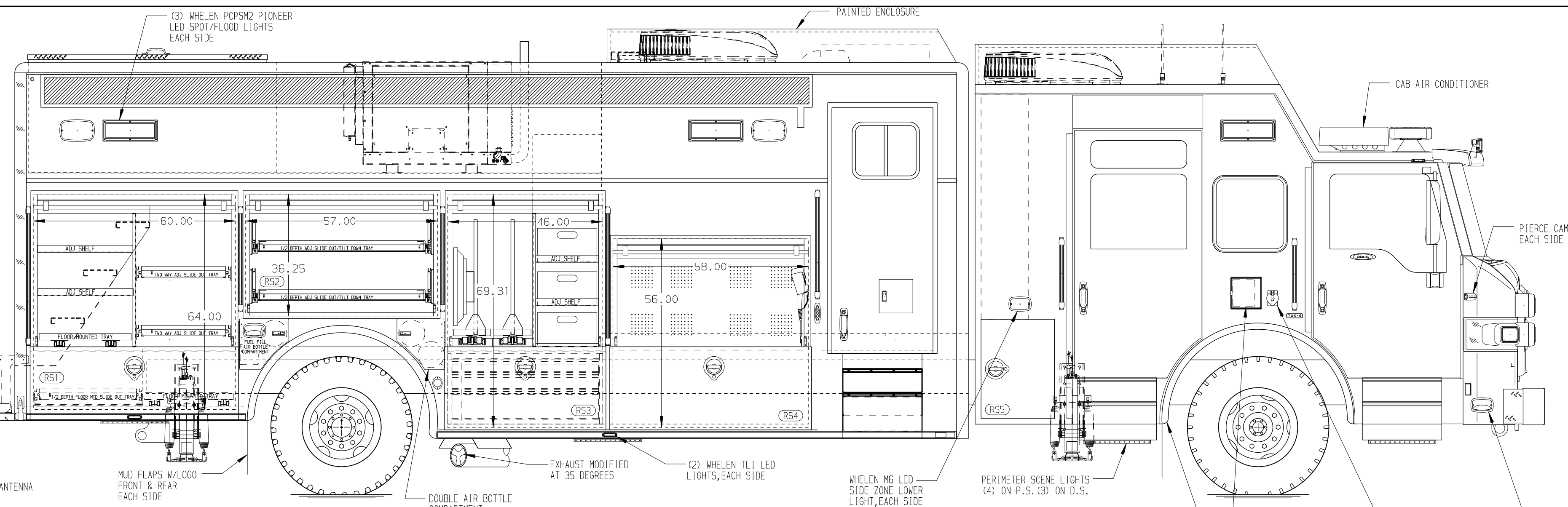
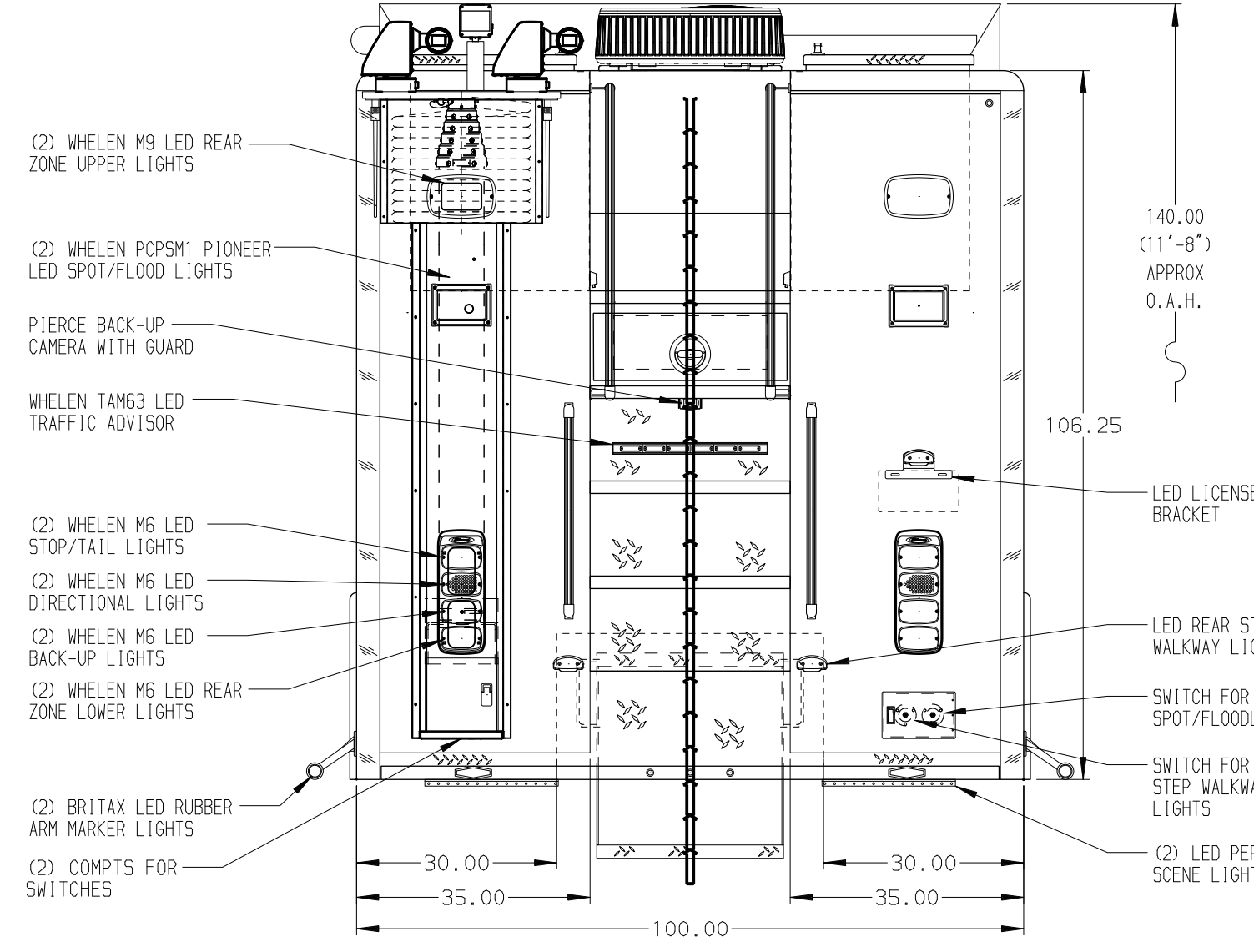


**RIGHT SIDE COMPARTMENTS CONTAIN THE FOLLOWING:**

- COMPARTMENT RS1 CONTAINS:  
- (1) HORIZONTAL FLOOR EXTENSION  
- (1) VERTICAL COMPARTMENT DIVIDER  
- (2) STD DEPTH FLOOR MOUNTED TRAYS  
- (1) 1/2 DEPTH FLOOR MOUNTED TRAY  
- (2) STD DEPTH ADJ SHELVES  
- (2) TWO WAY ADJ SLIDE OUT TRAYS
- COMPARTMENT RS2 CONTAINS:  
- (2) 1/2 DEPTH ADJ SLIDE OUT/TILT TRAYS
- COMPARTMENT RS3 CONTAINS:  
- (1) VERTICAL COMPARTMENT DIVIDER  
- (1) HORIZONTAL FLOOR EXTENSION  
- (2) 2-WAY SLIDEMASTER TRAYS W/TOOLBOARDS  
- (1) 43" WEATHERPROOF TV MTD ON TOOLBOARD  
- (2) STD DEPTH ADJ SHELVES  
- (3) POLY TOOL BOXES  
- (1) 3-DRAWER C-TECH CABINET
- COMPARTMENT RS4 CONTAINS:  
- PEGBOARD ON REAR COMPARTMENT WALL  
- LIGHT TOWER CONTROLLER
- COMPARTMENT RS5 CONTAINS:



- LEFT SIDE COMPARTMENTS CONTAIN THE FOLLOWING:**
- COMPARTMENT LS1 CONTAINS:  
- (1) HORIZONTAL FLOOR EXTENSION  
- (1) VERTICAL COMPARTMENT DIVIDER  
- (2) STD DEPTH FLOOR MOUNTED TRAY  
- (1) 1/2 DEPTH FLOOR MOUNTED TRAY  
- (2) STD DEPTH ADJ SHELVES  
- (2) TWO WAY ADJ SLIDE OUT TRAYS
- COMPARTMENT LS2 CONTAINS:  
- (2) 1/2 DEPTH ADJ SLIDE OUT/TILT TRAYS
- COMPARTMENT LS3 CONTAINS:  
- (1) VERTICAL COMPARTMENT DIVIDER  
- (1) HORIZONTAL FLOOR EXTENSION  
- (2) 2-WAY SLIDEMASTER TRAYS W/TOOLBOARDS  
- (1) 1.0" FLOOR LIP  
- (2) STD DEPTH ADJ SHELVES  
- (3) POLY TOOL BOXES  
- (1) 3-DRAWER C-TECH CABINET
- COMPARTMENT LS4 CONTAINS:  
- SLIDE OUT ROOM SYSTEM CONTROLS
- COMPARTMENT LS5 CONTAINS:  
- (2) PROGRESSIVE DYNAMICS CHARGERS  
- (1) CAMERA MAST AIR COMPRESSOR  
- HHW LEVELING SYSTEM COMPONENTS
- COMPARTMENT LS6 CONTAINS:  
- (1) ADJ SHELF



**NOTE**  
DIMENSIONS SHOWN ARE APPROXIMATE AND ARE SUBJECT TO MINOR DEVIATIONS AS MAY OCCUR OR BE NECESSARY IN CONSTRUCTION.  
MINOR DETAILS NOT SHOWN.

- NOTES:**
- BRUSHED 5/S SCUFFPLATES ON CAB DOOR JAMBS
  - ALUMINUM TREADPLATE ON REAR FACING SEAT RISERS
  - FLOOR IN CAB AND CREW CAB TO BE PADDED RUBBER
  - DAVID CLARK 4-POSITION INTERCOM SYSTEM
  - RADIATION DETECTION SYSTEM LOCATED BEHIND THE CAB GRILLE
  - HHW LEVELIZE LEVELING SYSTEM
  - PULL STRAPS ON ALL BODY ROLL-UP DOORS
  - 5/S GUARDS ON ALL BODY ROLL-UP DOORS
  - PIERCE LED STRIP LIGHTS IN ALL BODY AND HATCH COMPARTMENTS
  - TURTLE TILE MATTING IN SHELVES AND TRAYS, HATCH COMPARTMENT FLOORS AND FLOOR IN RSS

**MAXIMUM O.A.H. 11'-11"**  
**MAXIMUM O.A.L. 41'-0"**

**CLEAR DOOR WIDTH KEY**

AMORR ROLL UP DOORS:	-2 1/4"	11DEC19	DHE	CDK
GORTITE ROLL UP DOORS:	-2 1/2"	05NOV19	PDE	AZU
PIERCE DOUBLE LIP DOORS:	-4 1/4"	01OCT19	AZU	CDK
PIERCE LIFT-UP LAP DOORS:	-1 1/2"	02JUL19	DHE	CDK
(EX: 60" F-F - 2 1/4" = 57 3/4" CLEAR)		REV	DATE	BY CH

CHASSIS DATA  
MAKE: PIERCE  
MODEL: VXR420

		JOB NO.	33811
SCALE	1:24	DATE	
TITLE	HEAVY DUTY RESCUE WALKIN/NON-WALKIN COMBO		
FOR	CONTRA COSTA COUNTY FIRE PROTECTION DISTRICT		
	CONTRA COSTA, CA		
DWG NO.	33811AD-SH1		
CHECKED BY	CDK	CHECKED BY	RYAN WRIGHT
SHEET SIZE	D	SHEET NO.	1 OF 1
DRAWN BY	DHE	DATE	07JUN19
			10JUN19