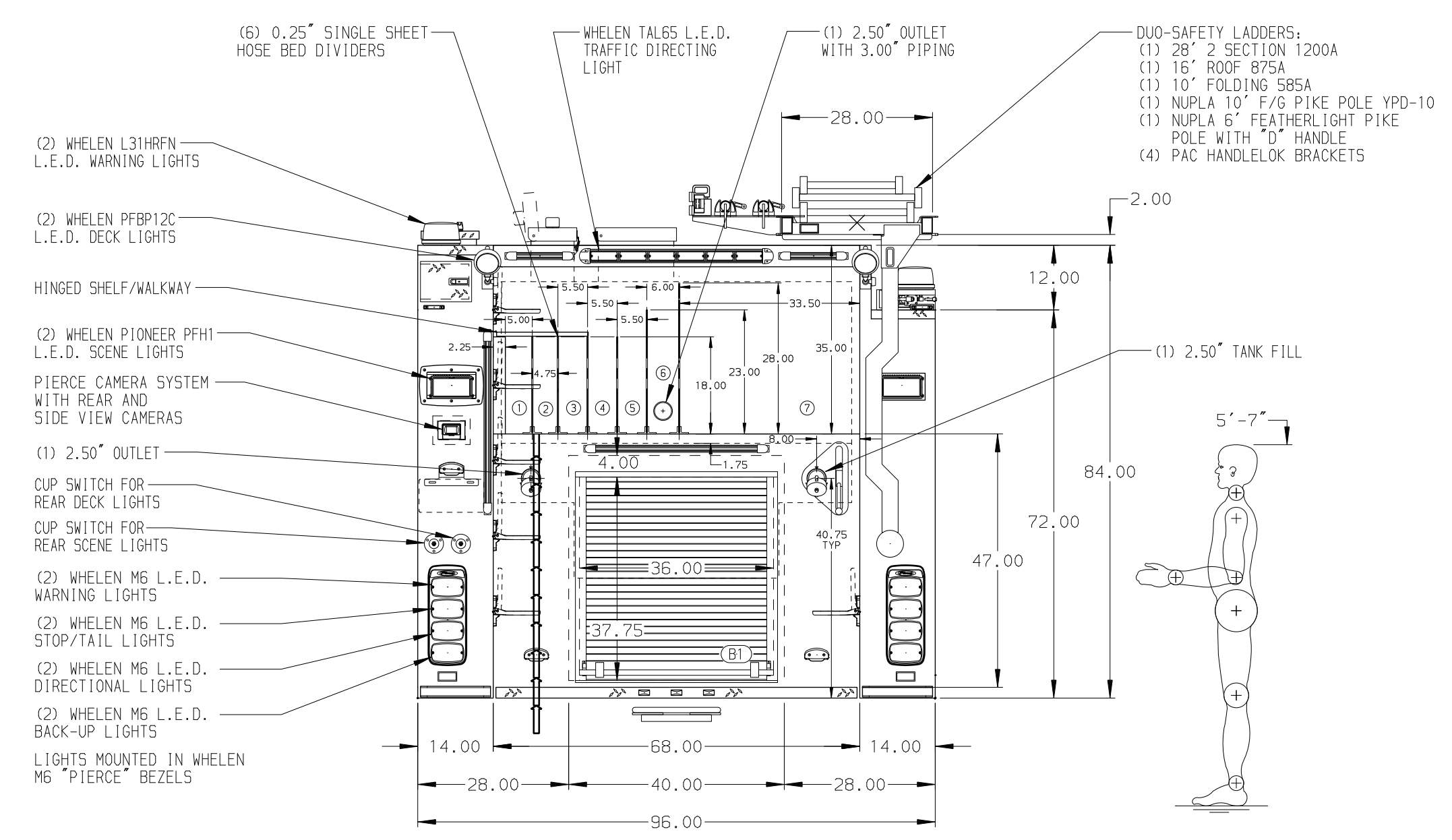
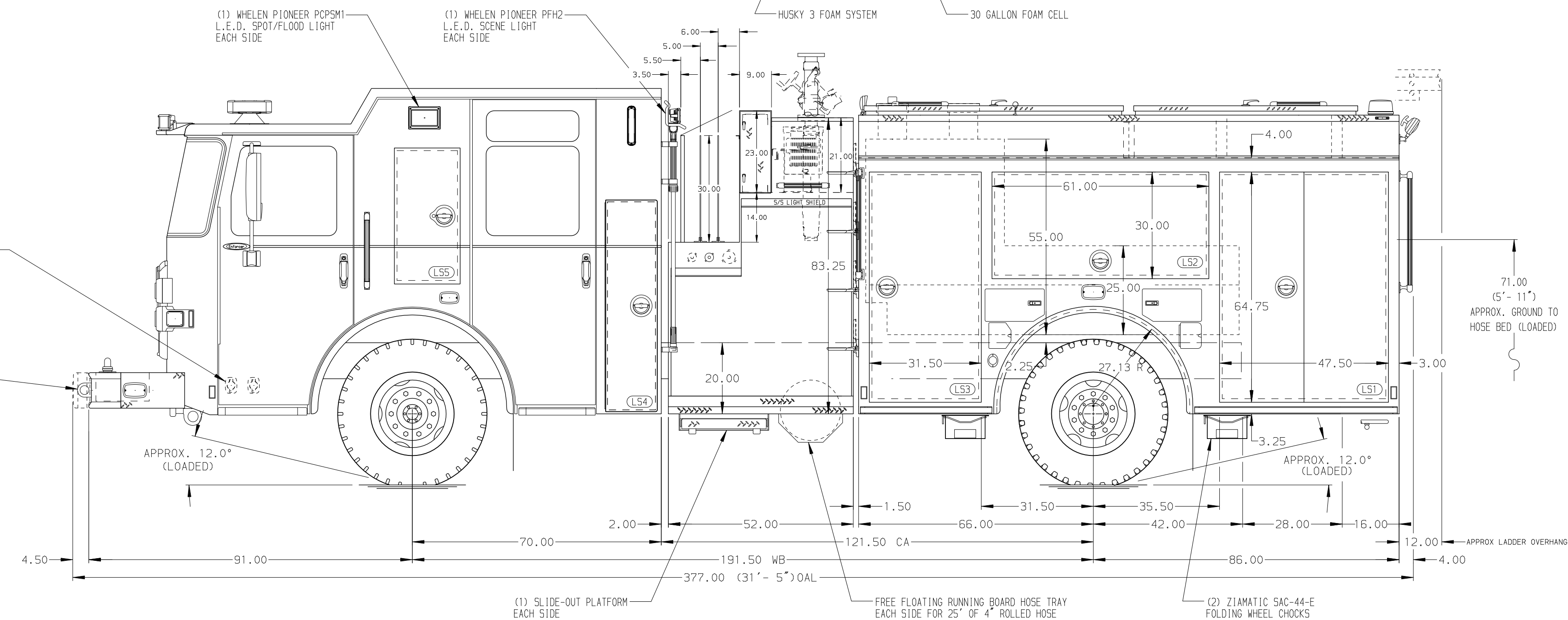


- HOSEBED CAPACITIES**
- ① 150' OF 1.75" D.J. POLY HOSE
  - ② 150' OF 1.75" D.J. POLY HOSE
  - ③ 150' OF 2.50" D.J. POLY HOSE
  - ④ 150' OF 2.50" D.J. POLY HOSE
  - ⑤ 150' OF 2.50" D.J. POLY HOSE
  - ⑥ 200' OF 2.50" D.J. POLY HOSE
  - ⑦ 1250' OF 4.00" D.J. POLY HOSE



ALUMINUM BODY    MAXIMUM O.A.L. 385.00"    MAXIMUM O.A.H. 122.00"    MAXIMUM O.A.W. 120.00" - MIRRORS

**NOTE**  
 DIMENSIONS SHOWN ARE APPROXIMATE AND ARE SUBJECT TO MINOR DEVIATIONS AS MAY OCCUR OR BE NECESSARY IN CONSTRUCTION. MINOR DETAILS NOT SHOWN.

1. BATTERY STATUS INDICATOR LOCATED ON DRIVER'S SEAT RISER  
 2. AIR INLET WITH DISCONNECT COUPLING FORWARD IN LEFT SIDE FRONT STEP WELL  
 3. AIR OUTLET WITH SHUT OFF VALVE AT LEFT SIDE PUMP PANEL  
 4. REVERSED HINGED DOOR ON COMPARTMENT L53  
 5. NINE FULL WIDTH/DEPTH ADJUSTABLE SHELVES - ONE IN COMPARTMENT B1 AND TWO IN COMPARTMENTS L51, L53, R51 AND R53  
 6. ONE FLOOR MOUNTED SLIDE-OUT TRAY IN COMPARTMENTS L51, L53, R51 AND B1  
 7. ONE 120V DUPLEX RECEPTACLE IN COMPARTMENTS L53, R53 AND B1

REV	DATE	BY	CH	ENFORCER
21DEC20	JRO	NPE		MAKE
12NOV20	JRO	NPE		PIERCE
16SEP20	JRO	WKL		MODEL

		JOB NO.	35237
		SCALE	DATE
TITLE	1500-720 WATER/30 FOAM, 152" BODY, SIDE CONTROL CROSSLAYS, DELUGE, FOAM SYSTEM, LADDER RACK		
FOR	CITY OF BLACK DIAMOND BLACK DIAMOND, WASHINGTON		
DWG NO.	35237AD		
DRAWN BY	JRO	CHECKED BY	WKL
SHEET SIZE	D	SHEET NO.	1 OF 1