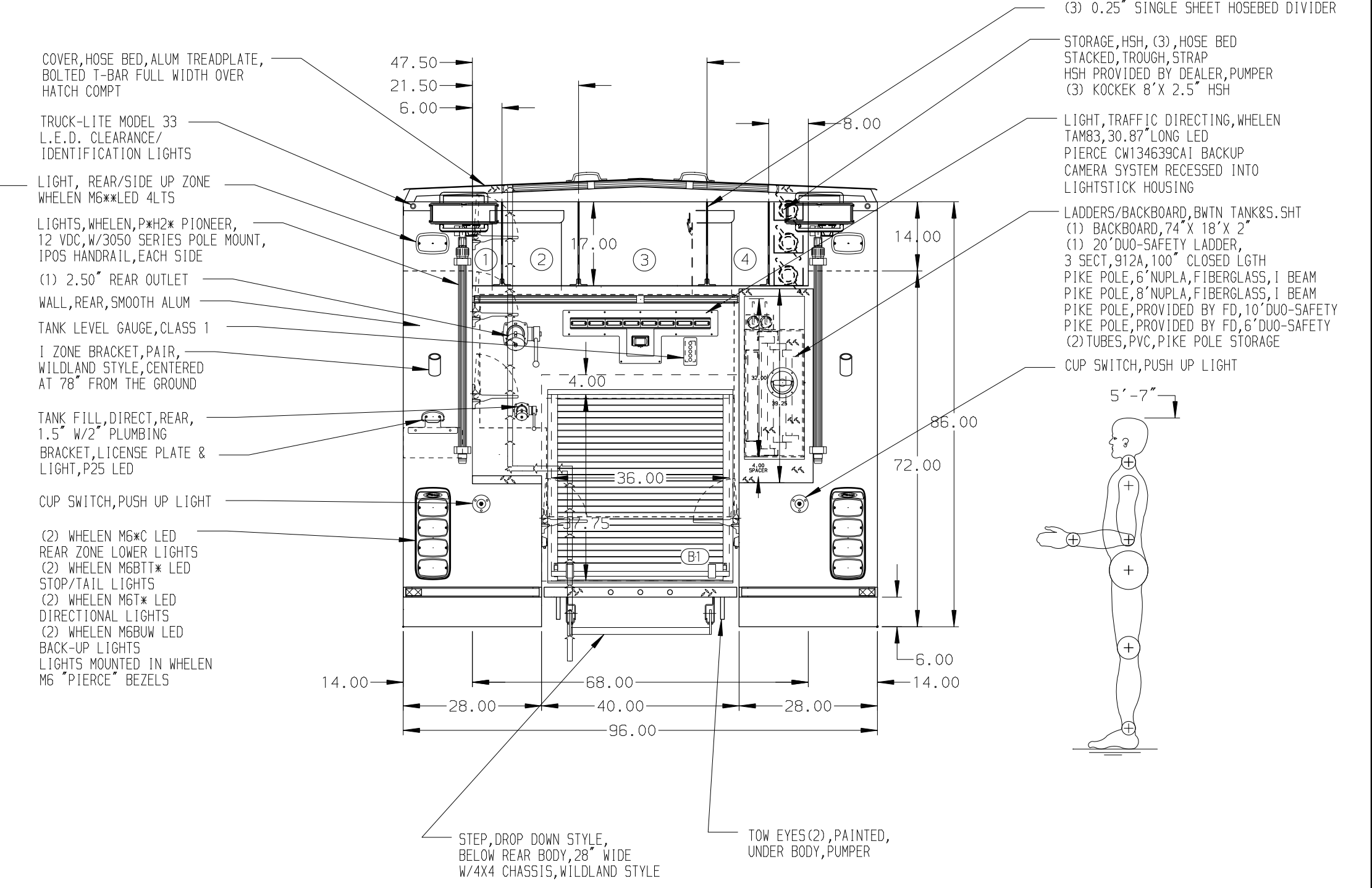
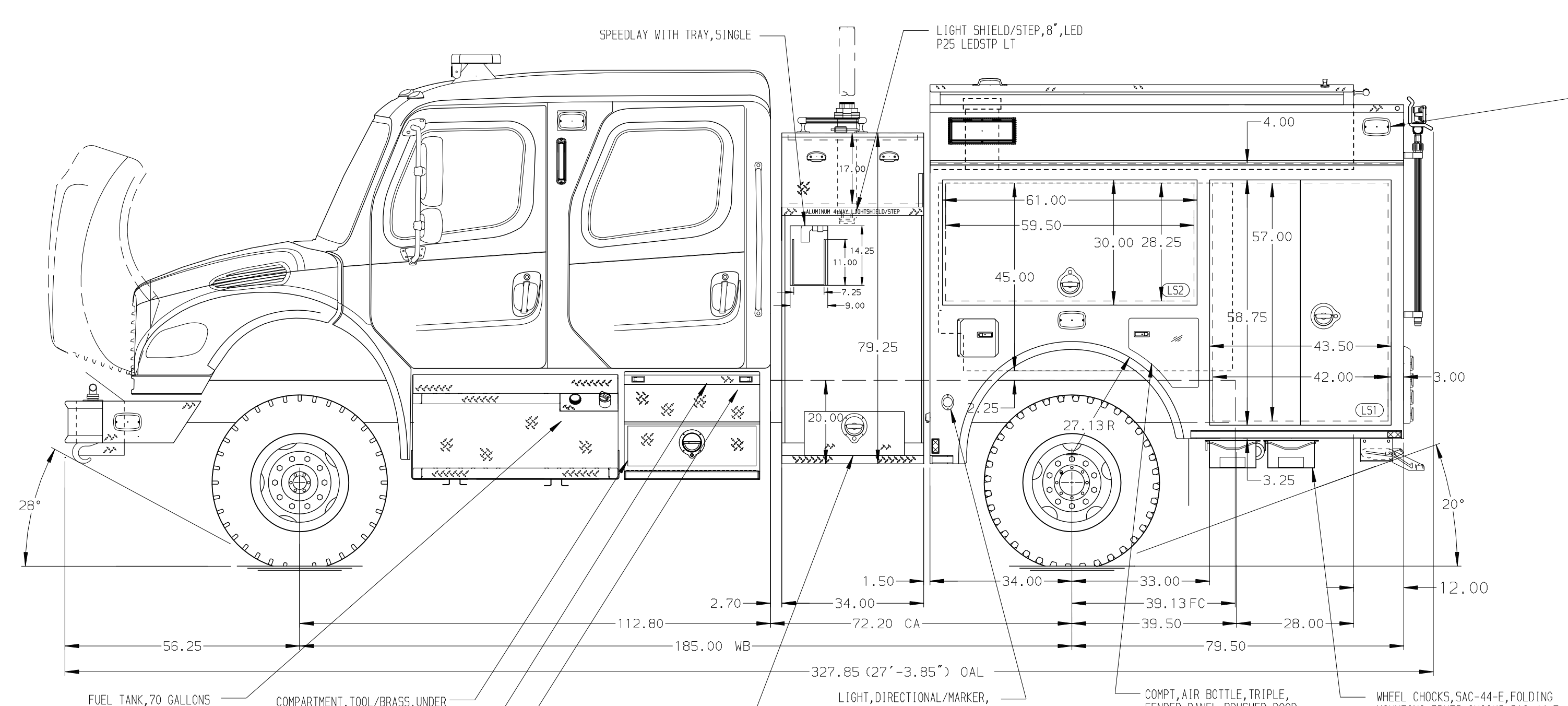


- HOSEBED CAPACITIES
- ① 150' OF 2.50" D.J. POLYESTER HOSE
 - ② 425' OF 2.50" D.J. POLYESTER HOSE
 - ③ 700' OF 2.50" D.J. POLYESTER HOSE
 - ④ TBD



ALUMINUM BODY

NOTE
DIMENSIONS SHOWN ARE APPROXIMATE AND ARE SUBJECT TO MINOR DEVIATIONS AS MAY OCCUR OR BE NECESSARY IN CONSTRUCTION. MINOR DETAILS NOT SHOWN.

				CHASSIS DATA	TITLE	1000-D-500P, 20 FOAM, 114" BODY LS & RS FULL HGT FDLR 34" SIDE CONTROL, (1) SPEEDLAY, 6" RAISED REAR
09SEP22	JLA	NAS	MAKE	FOR	SHASTA LAKE FIRE PROTECTION DISTRICT	DRAWN BY JLA 28APR22
29JUL22	RHU	NAS	FL	CHECKED BY RWI	SHASTA LAKE, CALIFORNIA	29ARP22
20MAY22	JLA	RWI	MODEL M2-106 4X4	DWG NO.	37139AD	SHEET SIZE D SHEET NO. 1 OF 1
REV	DATE	BY	CH			

Pierce MANUFACTURING INC.
BRADENTON, FLORIDA

JOB NO. 37139
SCALE 1:24
DATE