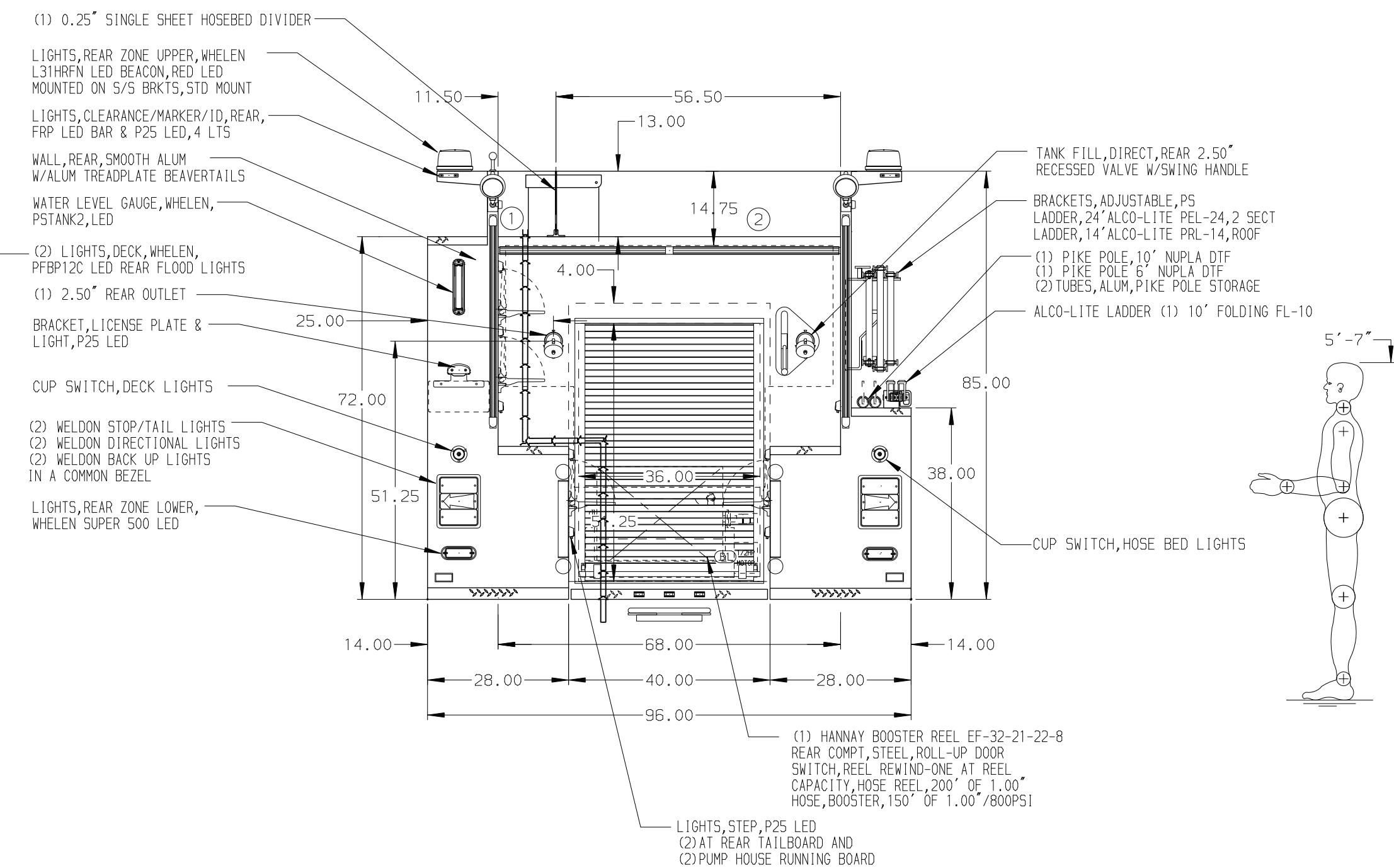
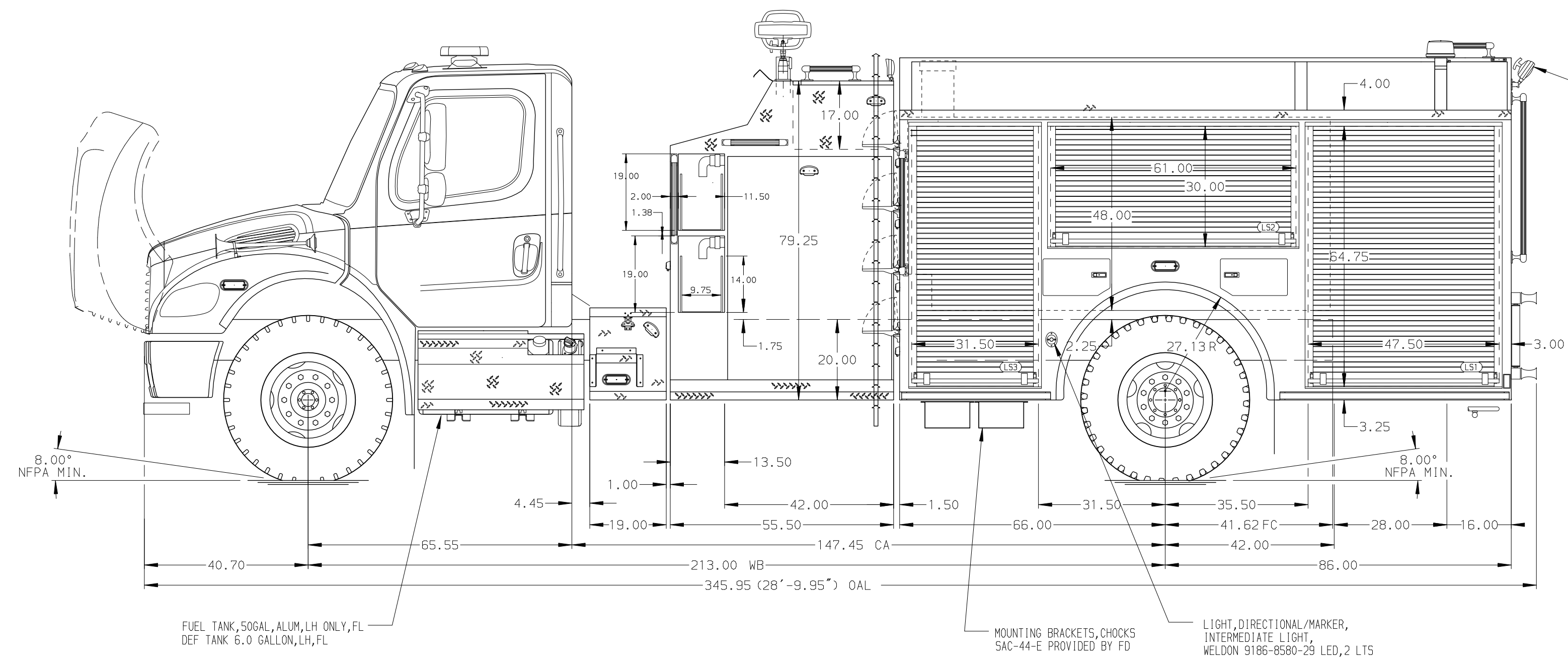


- HOSEBED CAPACITIES
- ① 400' OF 1.50" D.J. POLYESTER HOSE
 - ② 1500' OF 2.50" D.J. POLYESTER HOSE



ALUMINUM BODY

NOTE
DIMENSIONS SHOWN ARE APPROXIMATE AND ARE SUBJECT TO MINOR DEVIATIONS AS MAY OCCUR OR BE NECESSARY IN CONSTRUCTION. MINOR DETAILS NOT SHOWN.

CHASSIS DATA	TITLE	1250-D-1000 POLY, 152" BDY, DS FULL HGT, PS LOW 42" TOP MOUNT, W/19" WALKWAY, (2) 1.5" SPEEDLAYS W/PTRAYS	JOB NO.	37214
MAKE	FOR	PANOLA COUNTY BATESVILLE, MS	SCALE	1:24
MODEL	DWG NO.	M2-106	DRAWN BY	RHU
REV	DATE	BY	CHECKED BY	RWI
			SHEET SIZE	D
			SHEET NO.	1 OF 1

37214AD