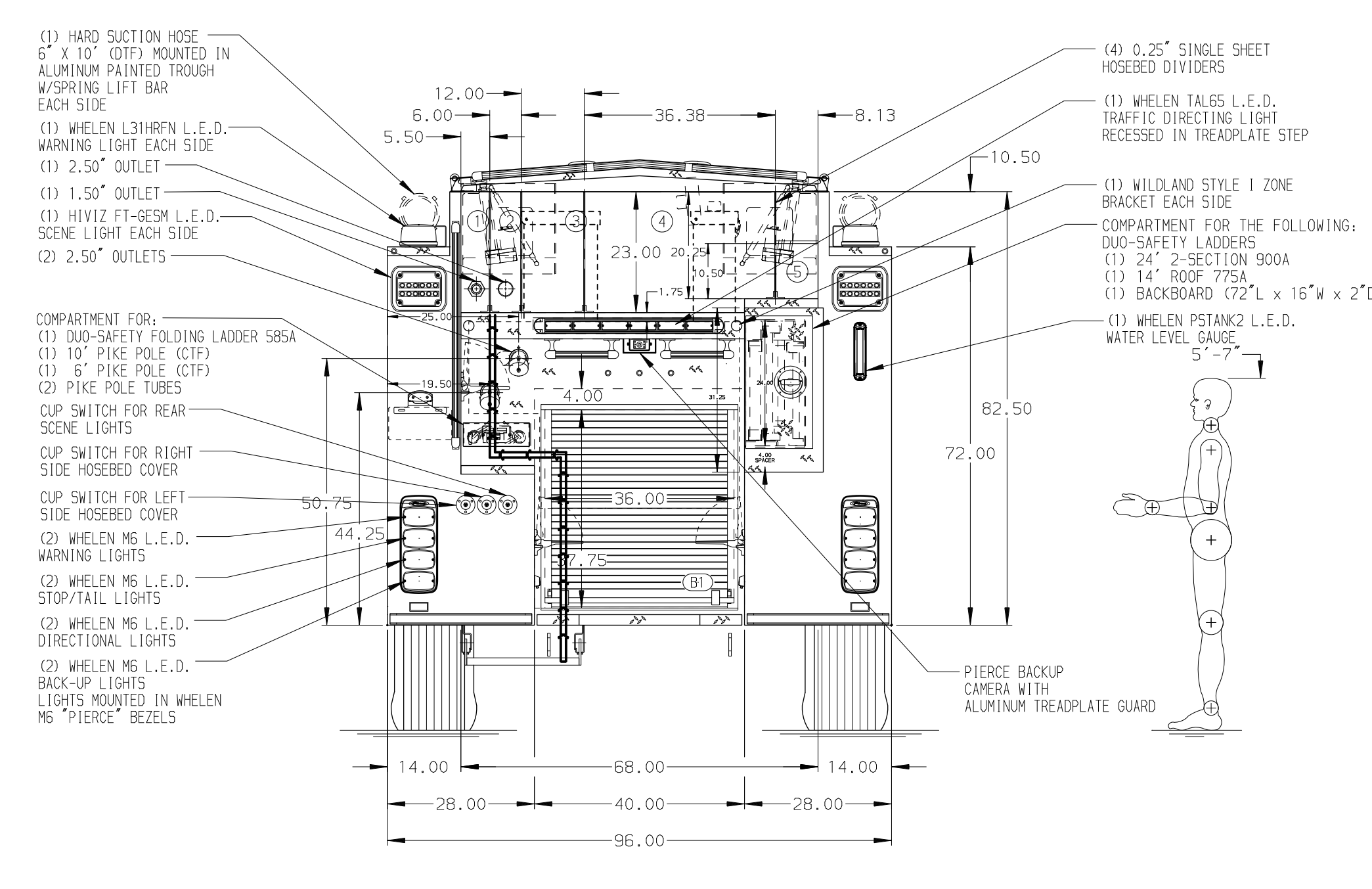


HOSEBED CAPACITIES

- 200' OF 1.75" HOSE
- 150' OF 2.50" HOSE
- 650' OF 2.50" HOSE
- 1000' OF 4.00" HOSE
- 150' OF 1.75" BUNDLED HOSE



GALVANNEAL

SIDE ROLL PROTECTION

**NOTE**  
DIMENSIONS SHOWN ARE APPROXIMATE AND ARE SUBJECT TO MINOR DEVIATIONS AS MAY OCCUR OR BE NECESSARY IN CONSTRUCTION. MINOR DETAILS NOT SHOWN.

- AIR INLET/OUTLET WITH DISCONNECT FITTING LOCATED AT DRIVER'S SIDE PUMP PANEL
- AIR OUTLET WITH SHUT OFF VALVE LOCATED AT DRIVER'S SIDE PUMP PANEL
- UL-LX ROOF WITH 40" X 40" AREA FOR LETTERING PER ORDER
- BATTERY CHARGER LOCATED BEHIND THE DRIVER'S SEAT
- JUMPER STUDS AT DRIVER SIDE CAB STEP
- DUAL L.E.D. LIGHT STRIPS LOCATED BELOW HOSE BED COVER
- SEVEN KEYPED LOCKS FOR LATCHES ON COMPARTMENTS LOCATED PER ORDER
- TWO PULL STRAPS ON COMPARTMENT DOORS LOCATED PER ORDER
- REVERSED HINGED DOOR ON COMPARTMENT L53
- SEVEN DUAL L.E.D. LIGHT STRIPS ON COMPARTMENTS LOCATED PER ORDER

- DUAL L.E.D. LIGHT STRIPS IN CARGO AREA
- 51X ADJUSTABLE FULL WIDTH/DEPTH SHELVES IN COMPARTMENTS LOCATED PER ORDER
- ONE ADJUSTABLE SLIDE-OUT TRAY IN COMPARTMENT B1
- PARTITION BETWEEN COMPARTMENTS L51/B1 AND R51/B1
- PAC TRAC ON THE REAR WALL OF COMPARTMENT L51
- FOAMPRO 1600 FOAM SYSTEM
- WHELEN SA315P SPEAKER LOCATED BEHIND GRILLE
- ONE 20A/120V RECEPTACLE IN COMPARTMENT LOCATED PER ORDER

REV	DATE	BY	CH	ENFORCER
15NOV22		LME	AST	MAKE
12OCT22		LME	AST	PIERCE
17JUN22		KLE	WKL	MODEL

		JOB NO.	37461
		SCALE	DATE
<b>1500-D-520P, 500G WATER W/20G FOAM, 140" BODY, TAK4-T3</b> <b>(2) XLAYS, (2) HSH, DELUGE, LADDERS BTWN TANK &amp; S/S</b>		DRAWN BY	LME
CHASSIS DATA TITLE FOR DWG NO.		CHECKED BY	WKL
ROSS VALLEY FIRE PROTECTION DISTRICT SAN ANSELMO, CALIFORNIA		SHEET SIZE	D
37461AD		SHEET NO.	1 OF 1