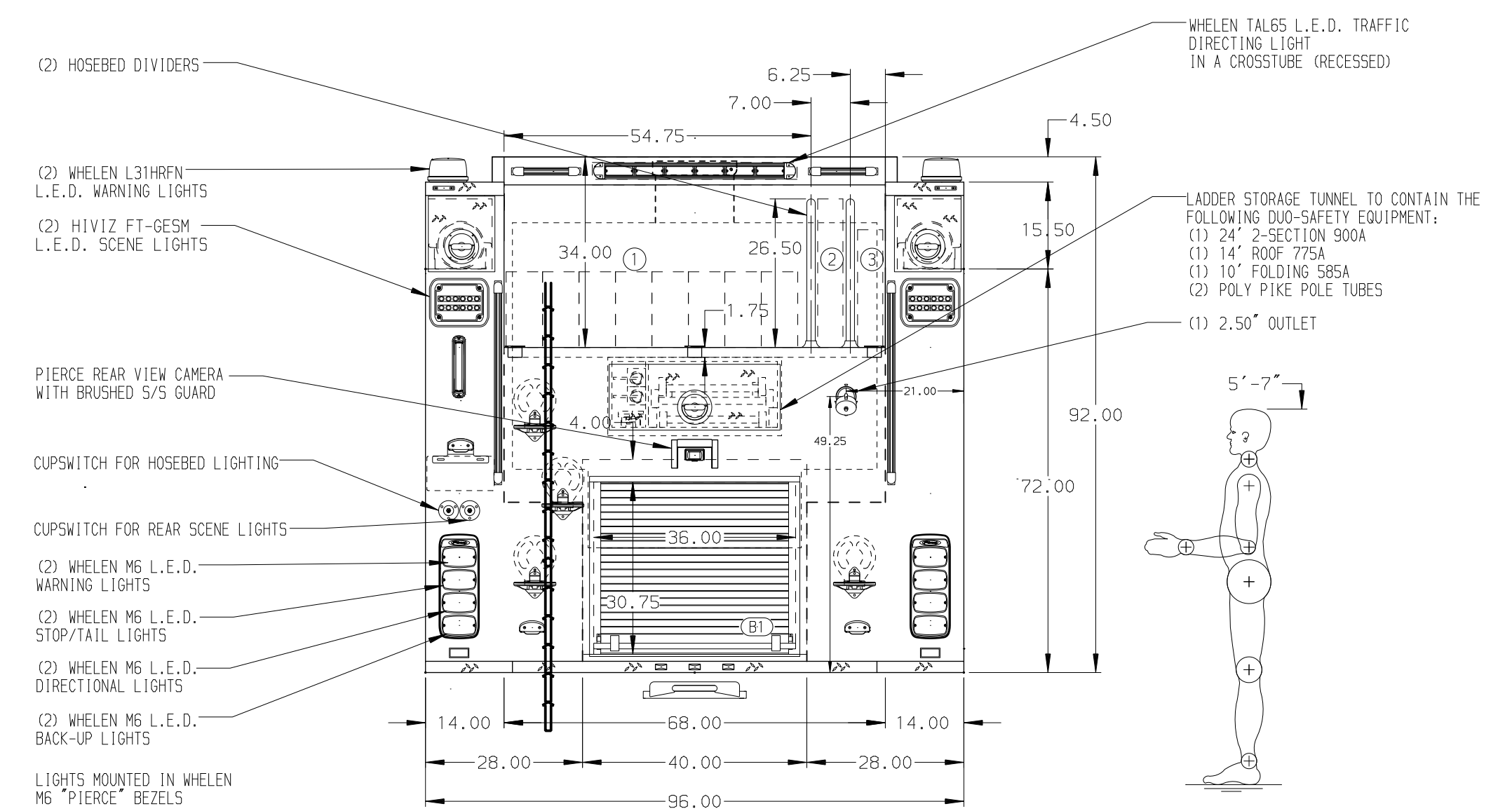
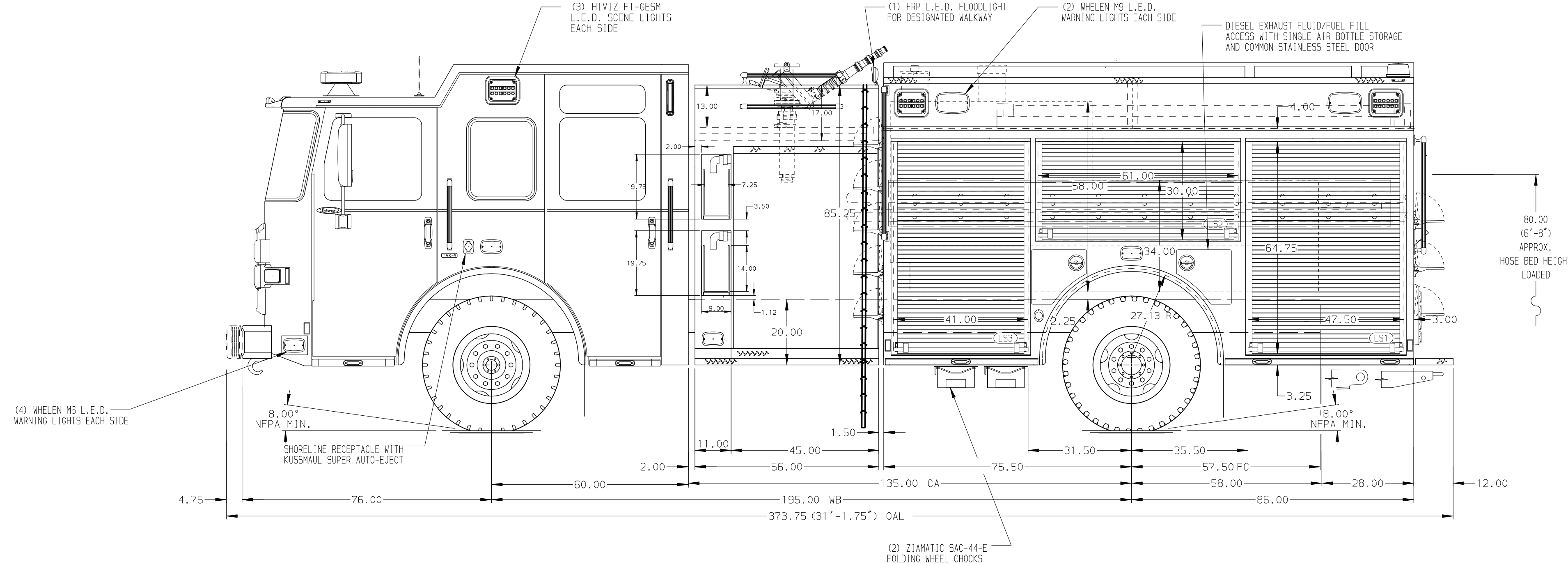


- HOSEBED CAPACITIES
- ① 1000' OF 4.00" D.J. POLY HOSE
  - ② 250' OF 2.50" D.J. POLY HOSE
  - ③ 200' OF 2.50" D.J. POLY HOSE



ALUMINUM BODY

NOTE  
 DIMENSIONS SHOWN ARE APPROXIMATE AND ARE SUBJECT TO MINOR DEVIATIONS AS MAY OCCUR OR BE NECESSARY IN CONSTRUCTION.  
 MINOR DETAILS NOT SHOWN.

1. ONSPOT AUTOMATIC TIRE CHAINS TO BE PROVIDED AT REAR
2. AIR INLET WITH DISCONNECT COUPLING LOCATED PER SHOP ORDER
3. BATTERY CHARGER LOCATED PER SHOP ORDER
4. BATTERY CHARGER INDICATOR LOCATED IN CAB PER SHOP ORDER
5. DUAL L.E.D. LIGHT STRIPS LOCATED IN HOSE BED
6. SEVEN DRIP PAN GUARDS FOR ROLL-UP DOOR LOCATED PER SHOP ORDER
7. SEVEN FULL WIDTH/DEPTH ADJUSTABLE SHELVES LOCATED PER SHOP ORDER
8. FOUR FLOOR MOUNTED SLIDE-OUT TRAYS LOCATED PER SHOP ORDER
9. ONE PAC TRAC ON COMPARTMENT WALL PER SHOP ORDER
10. PARTITIONS BETWEEN L51/B1 AND R51/B1

11. TWO SWING-OUT TOOL BOARDS WITH PEGBOARD PATTERN LOCATOR PER SHOP ORDER

REV	DATE	BY	CH	ENFORCER
15FEB23	LST	J60		CHASSIS DATA
19JAN23	CDU	J60		MAKE
23NOV22	CDU	CZA		PIERCE
13OCT22	CDU	CZA		MODEL

		JOB NO.	37755
		SCALE	DATE
TITLE	1500-D-1000P, 980 GAL OF WATER W/ 20 GAL FOAM CELL 161" FH FDLER, LADDERS THRU TANK, (2) SP. LAYS	DRAWN BY	LST
FOR	WILLIAMSTOWN VOLUNTEER FIRE COMPANY WILLIAMSTOWN, WEST VIRGINIA	CHECKED BY	CDU
DWG NO.	37755AD	SHEET SIZE	D
		SHEET NO.	1 OF 1