

# Pumper, PUC

## BODY

Pumper, PUC, Aluminum

## CHASSIS

Enforcer Chassis, PUC

## CHASSIS

### AXLE, FRONT, CUSTOM

19,500 Lb TAK-4 Axle

### AXLE, REAR

27,000 Lb Dana Axle

### ENGINE

450 HP Cummins L9 Engine

### TRANSMISSION

Allison 6th Gen, 3000 EVS P

### BUMPER

22" Extended Stainless Steel

### CAB

7010 Enforcer Cab, PUC

## BODY

### WATER TANK

500 Gallon Poly Water Tank

### COMPT, PUMPER, REAR

33.50" FF RollUp Rear Compt w/Tailboard, PUC

### COMPT, PUMPER, LEFT SIDE

177" RollUp Full Height & Depth Front & Rear, PUC

### COMPT, PUMPER, RIGHT SIDE

177" RollUp Full Height & Depth Front & Rear, PUC

## FIRE SUPPRESSION

### PUMPHOUSE

Control Zone, PUC

### PUMP

1500 GPM Pierce PUC

### CROSSLAYS, 1.50"

(2) 1.50", Poly Trays, 200"

### CROSSLAYS, 2.50"

(1) 2.50", Poly Tray, 200"

### GENERATOR

6KW MSV Generator

### Foam System

Foam System Not Required

### Foam Cell

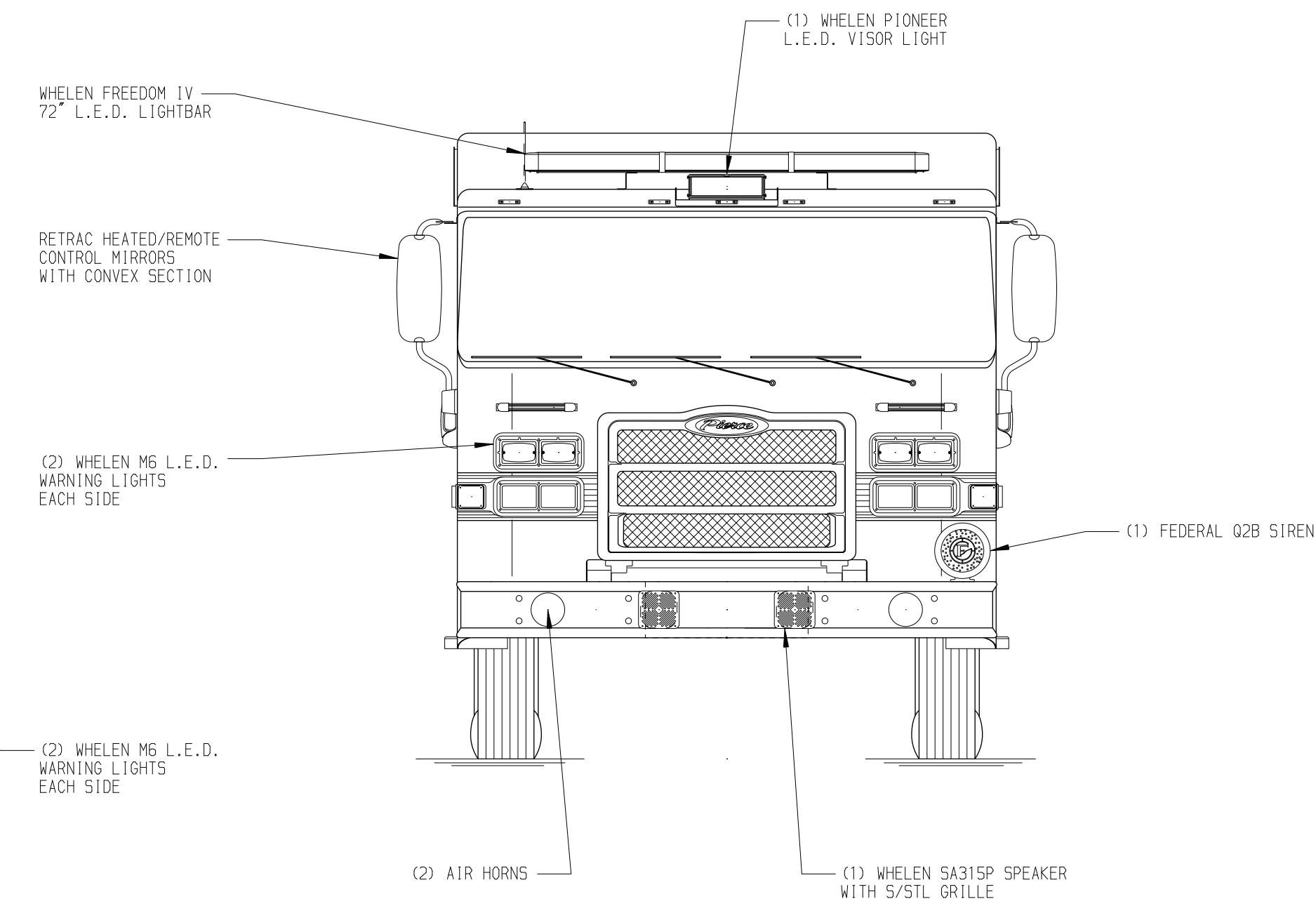
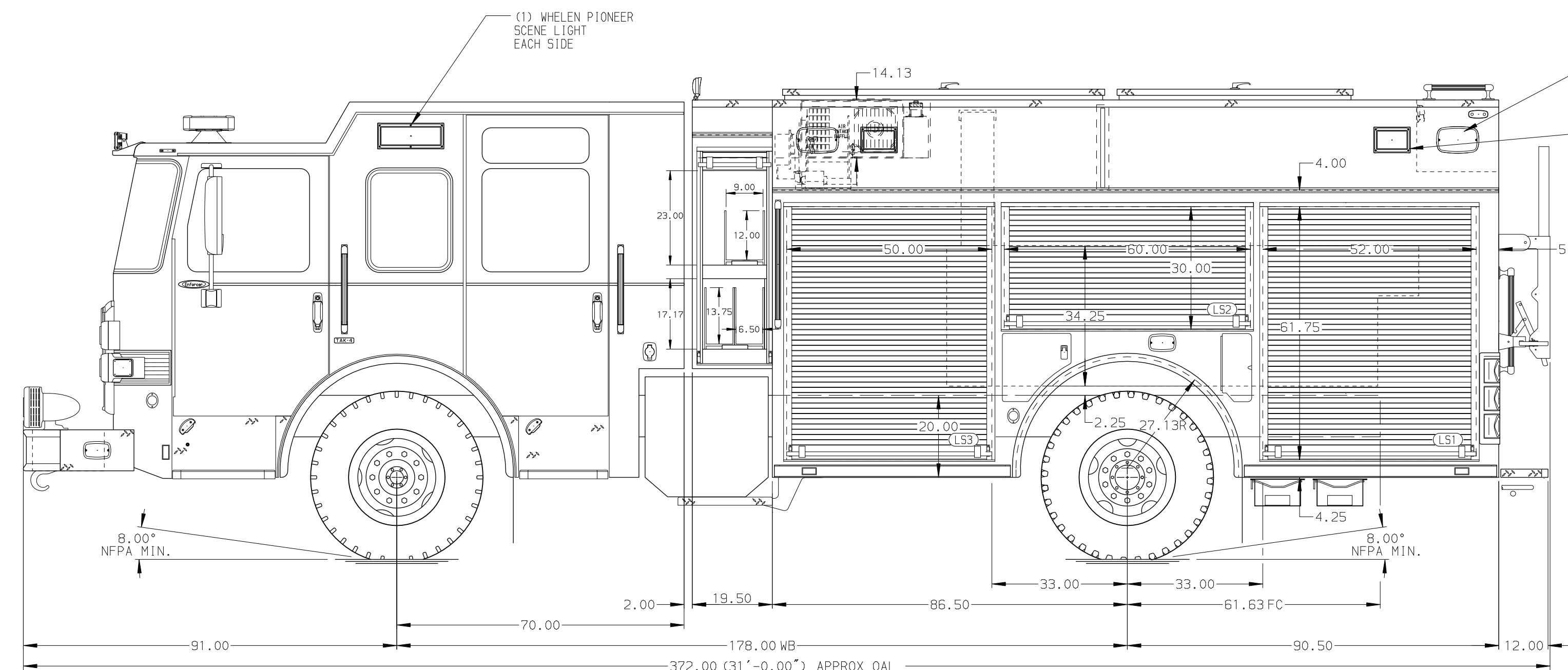
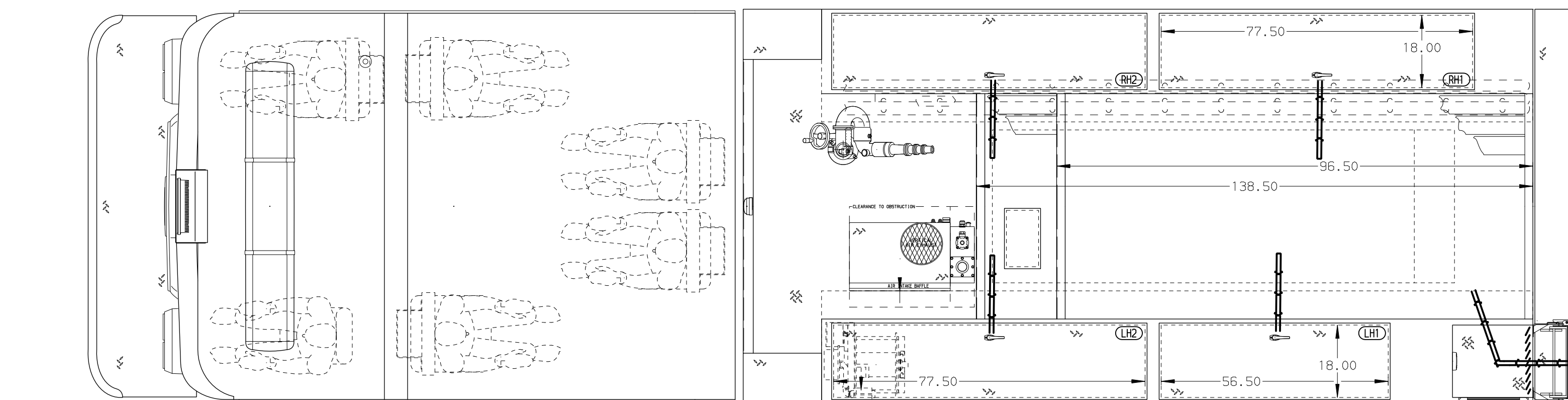
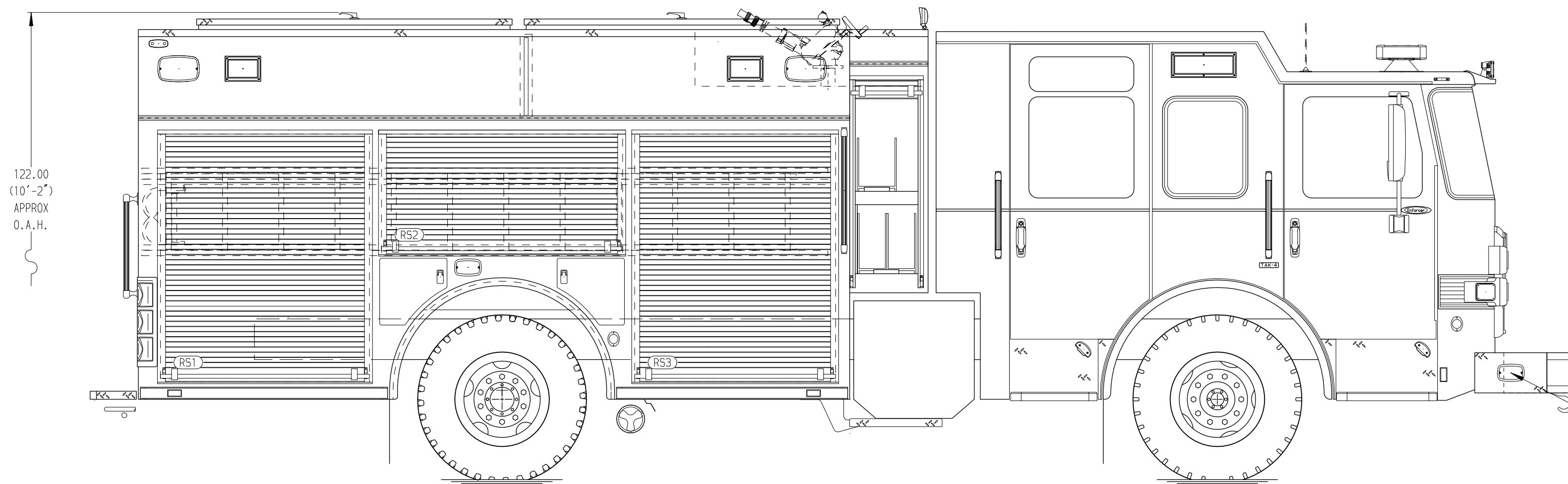
Foam Cell Not Required

Side Roll and Frontal Impact Protection

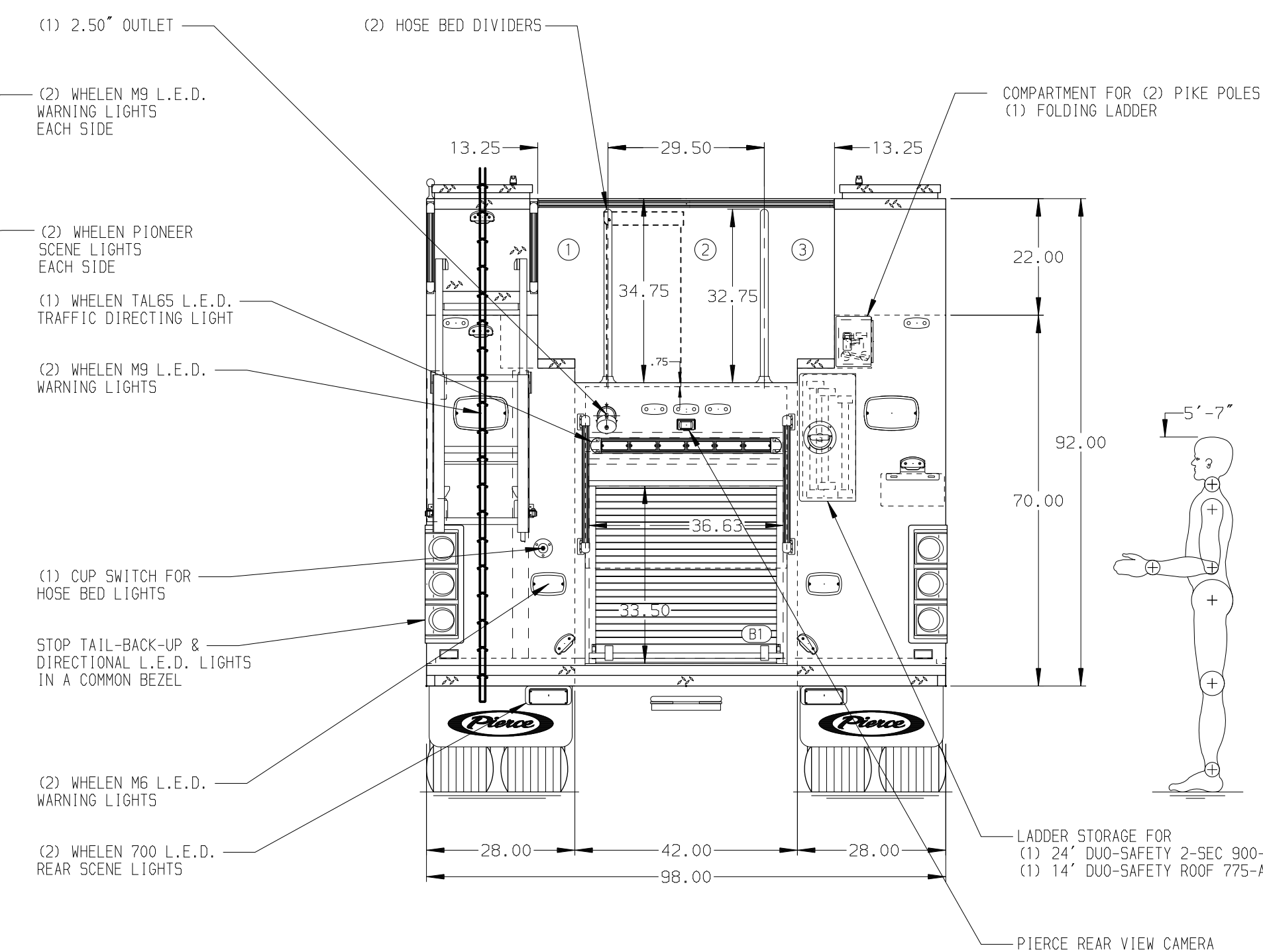
### NOTE

DIMENSIONS SHOWN ARE APPROXIMATE AND ARE SUBJECT TO MINOR DEVIATIONS AS MAY OCCUR OR BE NECESSARY IN CONSTRUCTION. MINOR DETAILS NOT SHOWN.

- ONE 1.50" OUTLET WITH 2.00" PIPING AND SWIVEL LOCATED IN CENTER BUMPER TRAY
- SHORELINE RECEPTACLE WITH KISSMALL SUPER AUTO-EJECT LOCATED ON DRIVER SIDE OF THE CREW CAB
- AIR INLET WITH DISCONNECT COUPLING IN THE DRIVER SIDE STEPWELL
- BATTERY CHARGER LOCATED PER ORDER
- BATTERY CHARGE INDICATOR LOCATED ON THE DRIVER SIDE SEAT RISER
- SIX ADJUSTABLE SHELVES LOCATED PER ORDER
- TWO FLOOR MOUNTED SLIDE-OUT TRAY LOCATED PER ORDER
- ONE TILT/SLIDE-OUT TRAY LOCATED PER SHOP ORDER
- HANNAY ELECTRIC CORD REEL (E1618-17-18) FOR 150' OF 10/3 CABLE



HOSEBED CAPACITY	
BED 1	500' OF 3.00" D.J. POLY HOSE
BED 2	1000' OF 5.00" D.J. POLY HOSE
BED 3	500' OF 3.00" D.J. POLY HOSE



CUSTOMER APPROVAL			
APPROVED BY:	_____		
DATE:	_____		
REV	DATE	BY	CH
-	-	-	-
-	-	-	-
-	-	-	-
ENFORCER	MODEL	FOR	TITLE
	PIERCE	MARYVILLE FIRE DEPARTMENT	PIERCE PUC PUMPER APPROVAL DRAWING
	ENFORCER		



JOB NO.	37984
SCALE	1:24
DATE	
DRAWN BY	MMF
CHECKED BY	COL
SHEET SIZE	D
SHEET NO.	1 OF 1

37984AD