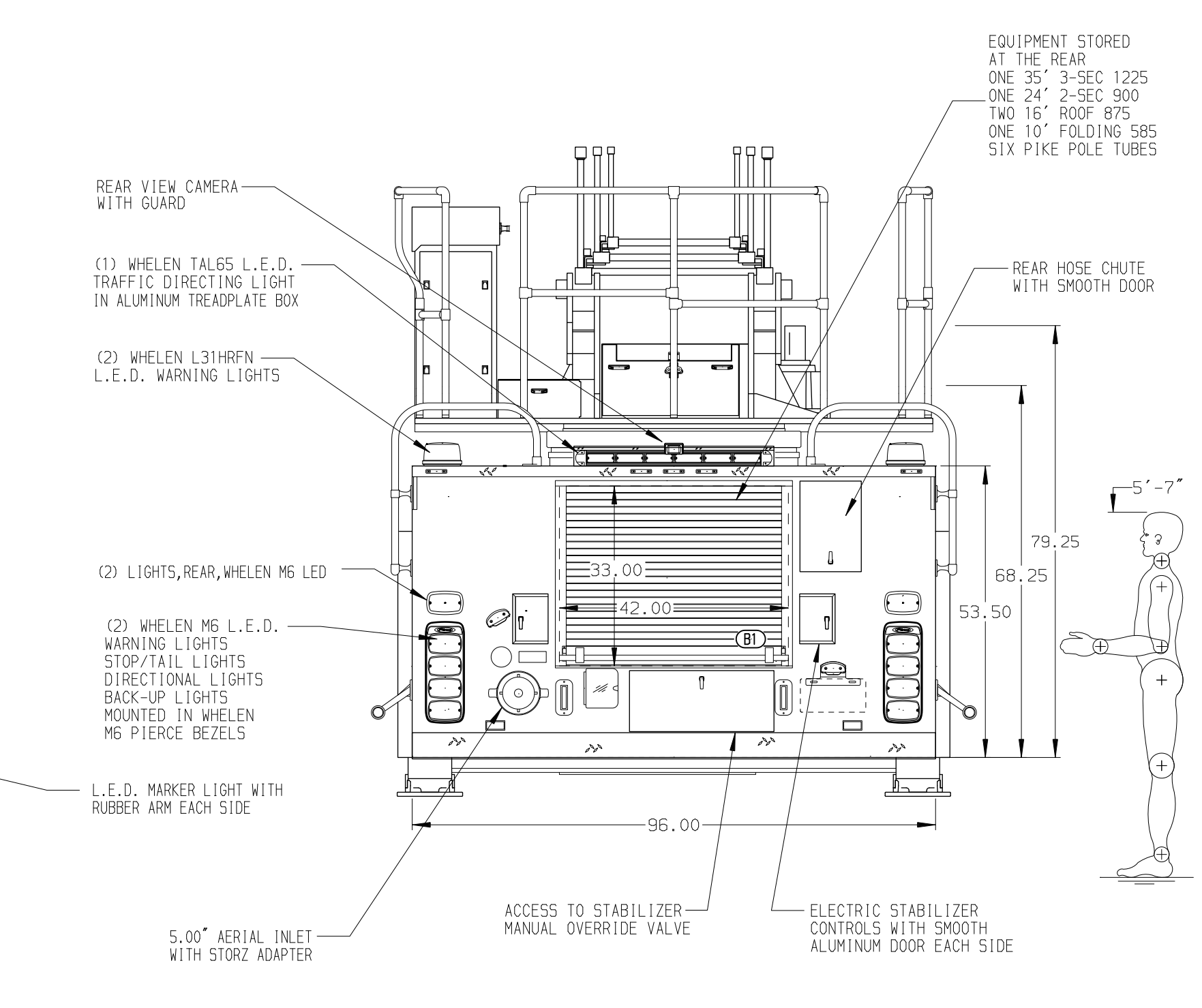
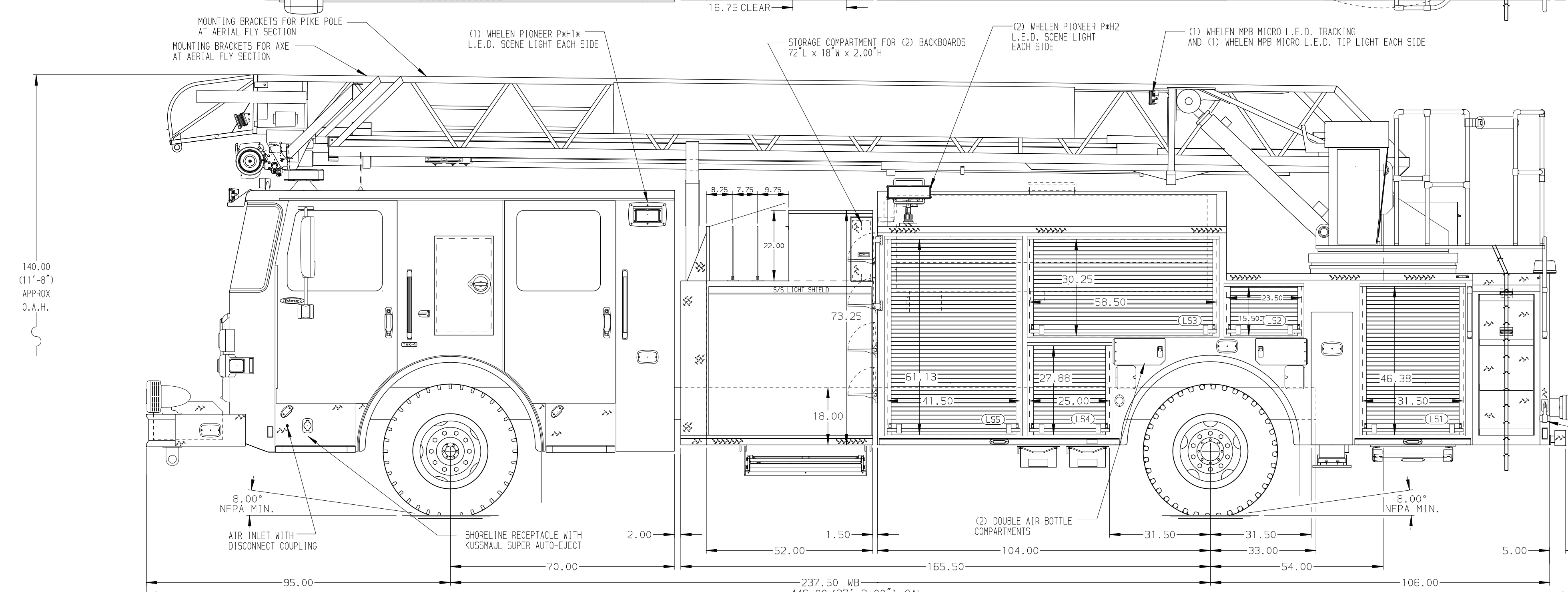


BODY	WATER TANK
75' HD Aluminum Body	350 Gallon Poly Water Tank
COMPT, LEFT SIDE FRONT	Foam System
Full Height/Depth RollUp Forward	Foam System Not Required
COMPT, LEFT SIDE REAR	Foam Cell
Full Height RollUp Rearward	Foam Cell Not Required
COMPT, RIGHT SIDE FRONT	
Full Height RollUp Forward	
COMPT, RIGHT SIDE REAR	
Full Height RollUp Rearward	



CHASSIS	CAB	AXLE, FRONT, CUSTOM	TRANSMISSION	PUMPHOUSE	CROSSLAYS, 1.50"	SPEEDLAYS	CUSTOMER APPROVAL		JOB NO.	
Enforcer Chassis	7000 Enforcer FR Cab	24,000 Lb TAK-4 Axle	Allison 5th Gen, 3000 EV5 P	52" Control Zone Side Mount	(2) 1.50" Standard Capacity	Speedlays Not Required	MANUFACTURING INC.		38041	
ENGINE	BUMPER	AXLE, REAR		PUMP	CROSSLAYS, 2.50"	GENERATOR			SCALE	DATE
450 HP Cummins L9 Engine	26" Under Slung Stainless Steel	33,500 Lb Meritor Axle		1500 GPM Waterous CSU	(1) 2.50" Standard Capacity	Generator Not Required	TITLE	DRAWN BY		
NOTE							FOR	LWE	17MAY22	
DIMENSIONS SHOWN ARE APPROXIMATE AND ARE SUBJECT TO MINOR DEVIATIONS AS MAY OCCUR OR BE NECESSARY IN CONSTRUCTION. MINOR DETAILS NOT SHOWN.							PIERCE	JJR	20MAY22	
							MODEL	SHEET SIZE	SHEET NO.	
							DWG NO.	D	1 OF 2	
							REV	DATE	BY	CH
							ENFORCER	38041AD-SH1		