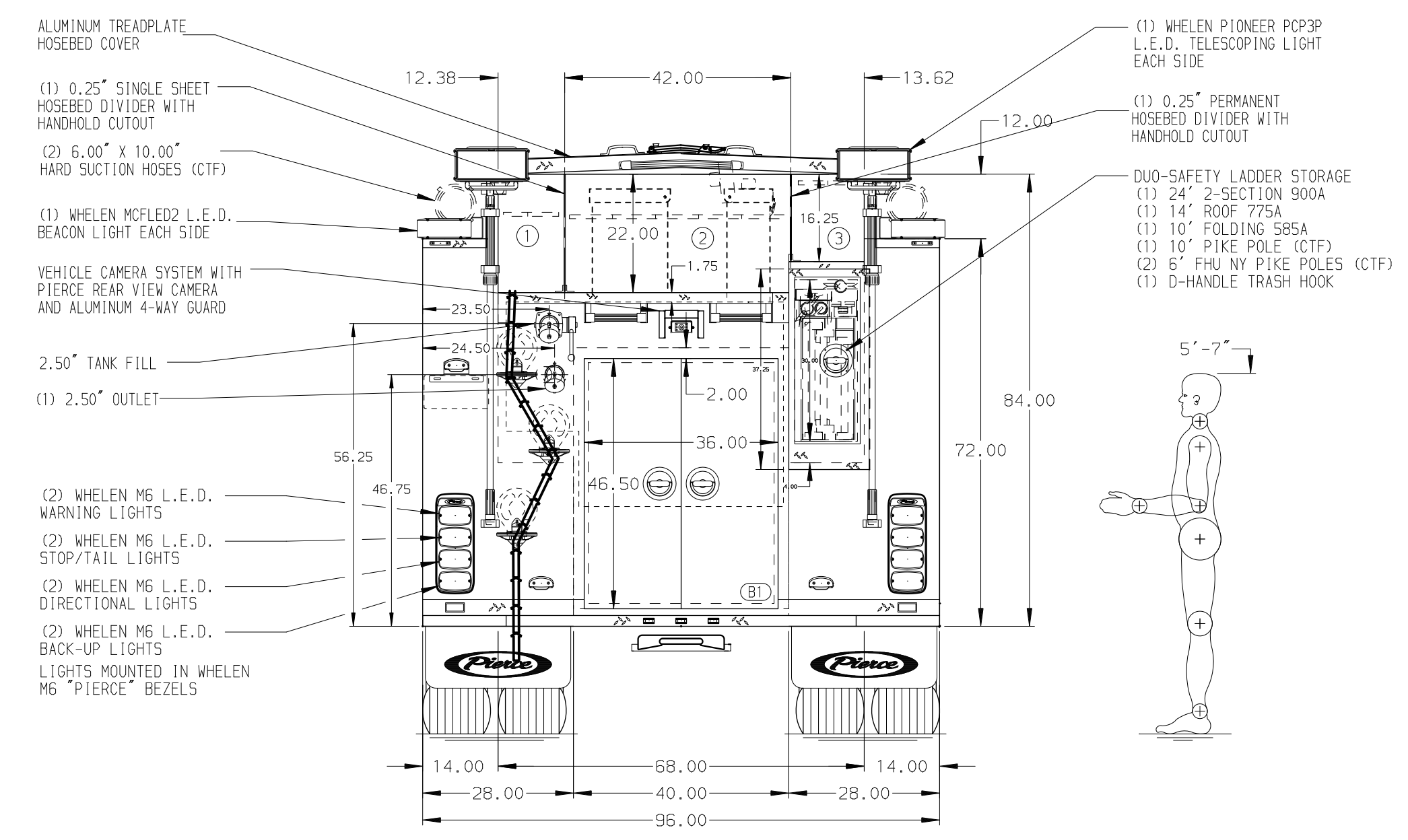
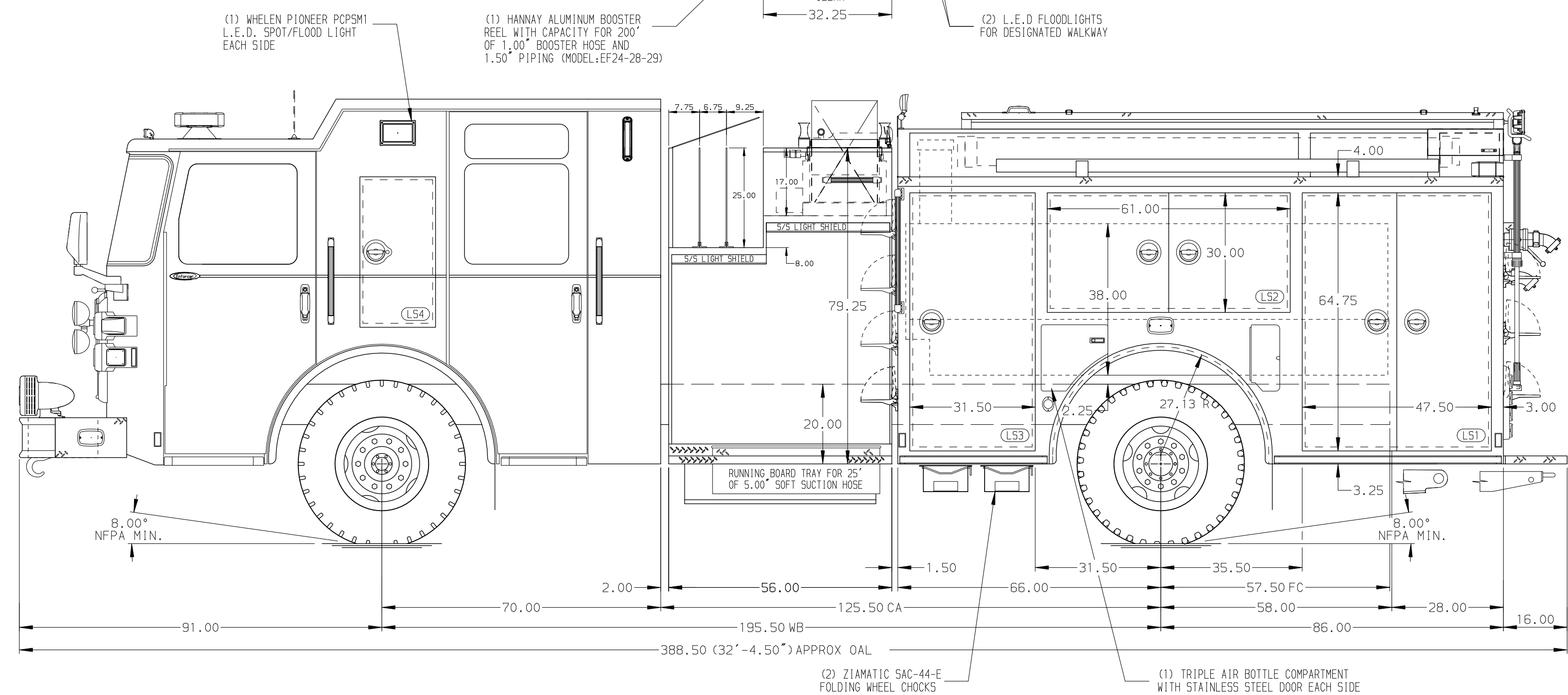


HOSEBED DEFLECTOR WITH (2) HANDHOLD CUTOUTS

- HOSEBED CAPACITIES**
- ① - 400' OF 2.50" D.J. POLY HOSE
 - ② - 1000' OF 5.00" D.J. POLY HOSE
 - ③ - 400' OF 3.00" D.J. POLY HOSE



ALUMINUM BODY

NOTE
DIMENSIONS SHOWN ARE APPROXIMATE AND ARE SUBJECT TO MINOR DEVIATIONS AS MAY OCCUR OR BE NECESSARY IN CONSTRUCTION. MINOR DETAILS NOT SHOWN.

1. MILTON AIR INLET/OUTLET FEMALE FITTING LOCATED PER SHOP ORDER
2. SHORELINE RECEPTACLE STRAIGHT BLADE NEAR 5-20 LOCATED PER SHOP ORDER
3. BATTERY CHARGER LOCATED PER SHOP ORDER
4. BATTERY CHARGE INDICATOR LOCATED PER SHOP ORDER
5. SEVEN ADJUSTABLE FULL WIDTH/DEPTH SHELVES LOCATED PER SHOP ORDER
6. ONE FLOOR MOUNTED SLIDE-OUT TRAY LOCATED PER SHOP ORDER
7. FOAM PRO 1600 SINGLE AGENT FOAM SYSTEM LOCATED PER SHOP ORDER
8. ONE ALUMINUM SWING OUT TOOLBOARD WITH PEGBOARD LOCATED PER SHOP ORDER
9. THREE PEGBOARDS WITH TRACK ON BACK WALLS LOCATED PER SHOP ORDER
10. TWO NEMA DUPLEX RECEPTACLES LOCATED PER SHOP ORDER

11. 5/8" STL SCUFFPLATES LOCATED PER SHOP ORDER
12. FIVE D-RING LATCHES FOR FREE DOORS LOCATED PER SHOP ORDER

REV	DATE	BY	CH	ENFORCER
20JUN23	JJB	GKH		MAKE
05MAY23	JJB	GKH		PIERCE
04MAY23	JJB	GKH		MODEL

		JOB NO.	38182
		SCALE	DATE
TITLE	FOR	DWG NO.	
1500-D-770P, 750G WATER, 20G FOAM, 152" PUMPER BODY LADDERS BTWN TANK & SS, (3) CROSSLAYS, DELUGE		DRAWN BY	JJB
IDAHO FALLS FIRE DEPARTMENT		CHECKED BY	CZA
IDAHO FALLS, IDAHO		SHEET SIZE	SHEET NO.
38182AD		D	1 OF 1