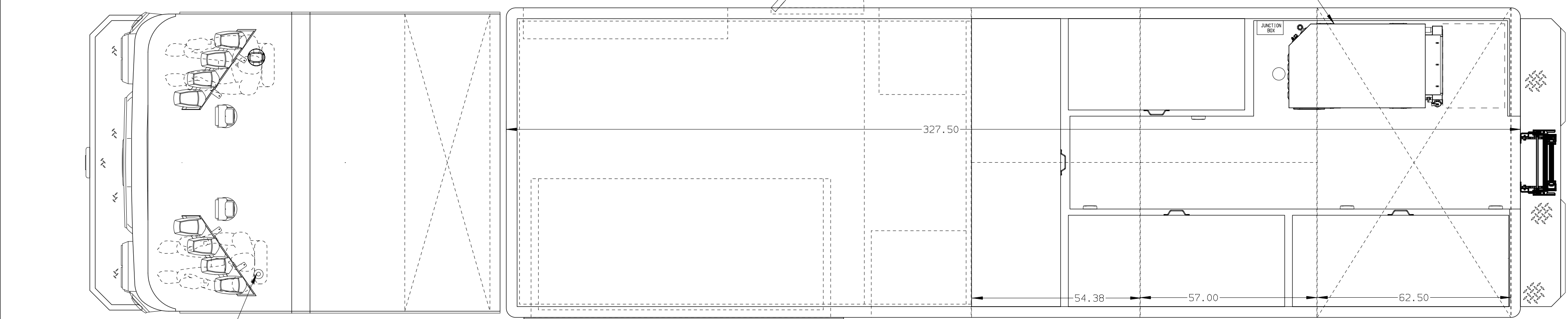
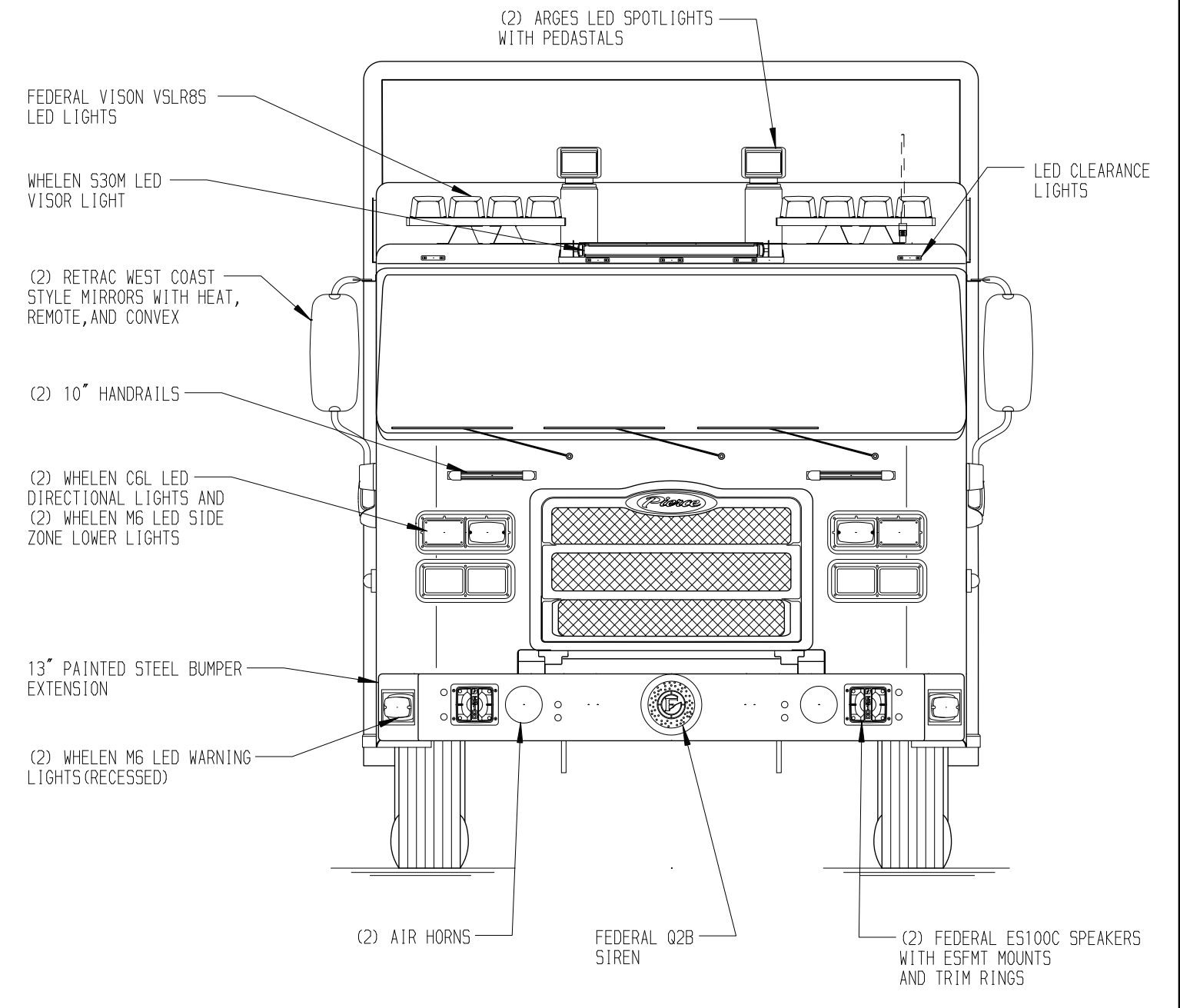
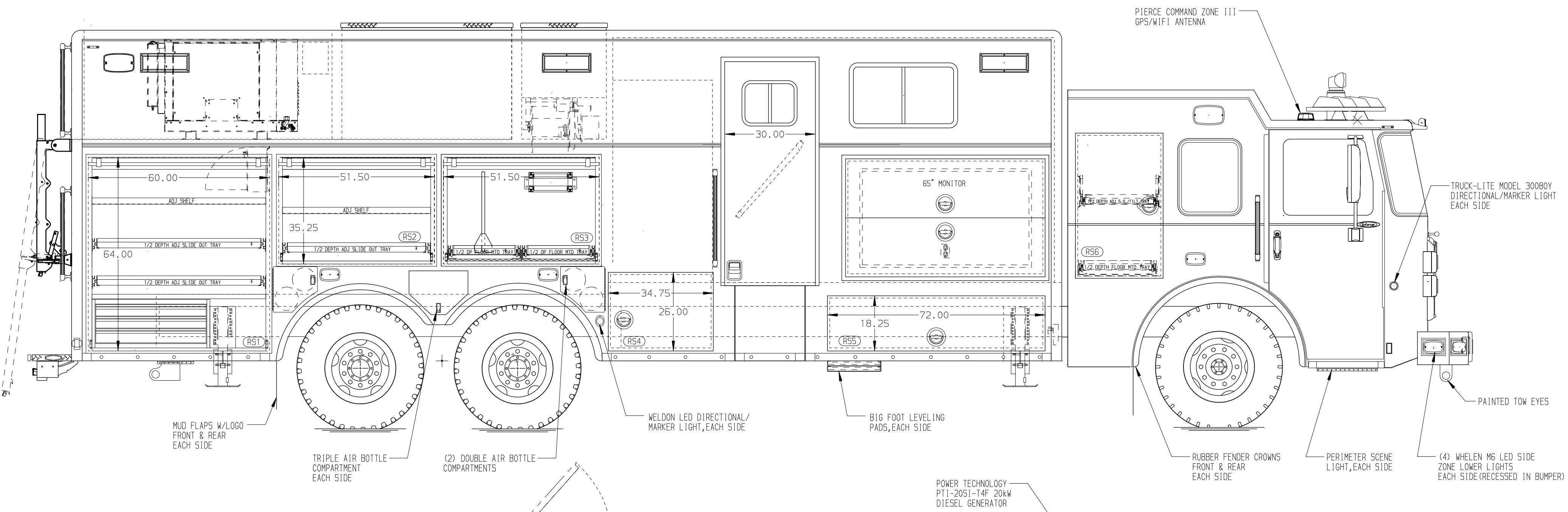
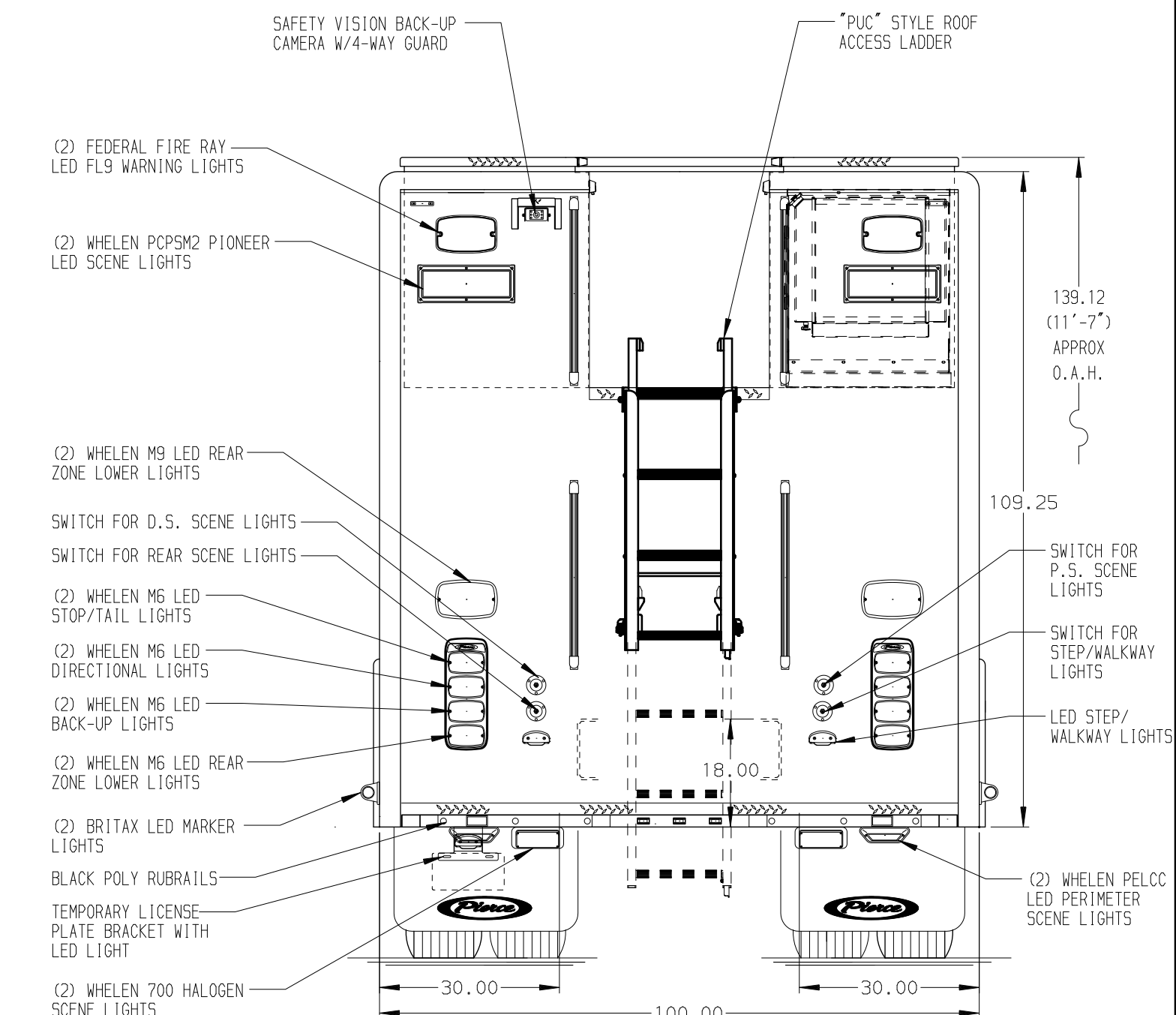


- RIGHT SIDE COMPARTMENTS CONTAIN THE FOLLOWING:**
- COMPARTMENT R51 CONTAINS:
    - (1) POWER DISTRIBUTION BOX
    - (1) HORIZONTAL FLOOR EXTENSION
    - (1) 1/2 DEPTH ADJ SHELF
    - (1) 2-DRAWER C-TECH CABINET
    - (2) 1/2 DEPTH ADJ SLIDE OUT TRAYS
  - COMPARTMENT R52 CONTAINS:
    - (1) 1/2 DEPTH ADJ SHELF
    - (1) VERTICAL REAR WALL DIVIDER
    - (1) 1/2 DEPTH ADJ SLIDE OUT TRAY
  - COMPARTMENT R53 CONTAINS:
    - (1) ELECTRIC CORD REEL WITH 250' OF 10/4 BLACK CORD
    - (1) 1/2 DEPTH FLOOR MTD SLIDE OUT TRAY
    - (1) 1/2 DEPTH FLOOR MTD SLIDE OUT TRAY WITH TOOLBOARD
    - (1) VERTICAL REAR WALL DIVIDER
  - COMPARTMENT R54 CONTAINS:
    - 
    -
  - COMPARTMENT R55 CONTAINS:
    - (1) CAB LIFT CONTROLLER
  - COMPARTMENT R56 CONTAINS:
    - (1) 1/2 DEPTH FLOOR MTD SLIDE OUT TRAY
    - (1) 1/2 DEPTH ADJ SLIDE OUT/TILT TRAY



- LEFT SIDE COMPARTMENTS CONTAIN THE FOLLOWING:**
- COMPARTMENT LS1 CONTAINS:
    - (1) HORIZONTAL FLOOR EXTENSION
    - (1) 1/2 DEPTH ADJ SHELF
    - (1) 3/4 DEPTH FLOOR MTD SLIDE OUT TRAY
    - (2) 1/2 DEPTH ADJ SLIDE OUT TRAYS
  - COMPARTMENT LS2 CONTAINS:
    - (1) 1/2 DEPTH ADJ SHELF
    - (1) VERTICAL REAR WALL DIVIDER
    - (1) 1/2 DEPTH ADJ SLIDE OUT TRAY
  - COMPARTMENT LS3 CONTAINS:
    - (1) ELECTRIC CORD REEL WITH 250' OF 10/4 BLACK CORD
    - (1) 1/2 DEPTH ADJ SHELF
    - (1) VERTICAL REAR WALL DIVIDER
  - COMPARTMENT LS4 CONTAINS:
    - (4) 5/8 DEPTH ADJ SHELVES
  - COMPARTMENT LS5 CONTAINS:
    - 
    -
  - COMPARTMENT LS6 CONTAINS:
    - 
    -
  - COMPARTMENT LS7 CONTAINS:
    - (1) 1/2 DEPTH FLOOR MTD SLIDE OUT TRAY
    - (1) 1/2 DEPTH ADJ SLIDE OUT/TILT TRAY



**NOTE**  
DIMENSIONS SHOWN ARE APPROXIMATE AND ARE SUBJECT TO MINOR DEVIATIONS AS MAY OCCUR OR BE NECESSARY IN CONSTRUCTION. MINOR DETAILS NOT SHOWN.

- NOTES:**
- AIR INLET WITH DISCONNECT COUPLING LOCATED IN THE DRIVER'S SIDE LOWER CAB STEP WELL
  - POLISHED 5/5 SCUFFPLATES ON CAB AND CREW CAB DOOR JAMBS
  - FLOOR IN CAB AND CREW CAB TO BE PADDED RUBBER
  - FIRECOM 2-POSITION INTERCOM SYSTEM
  - KUSSMAUL PUMP PLUS 1200 CHARGER LOCATED BEHIND THE DRIVER'S SEAT
  - BIG FOOT AUTOMATIC LEVELING SYSTEM
  - 5/5 GUARDS ON ALL BODY ROLL-UP DOORS
  - PIERCE LED LIGHT STRIPS IN ALL BODY AND HATCH COMPARTMENTS

MAXIMUM O.A.H. 11'-8"

SIDE ROLL & FRONTAL IMPACT PROTECTION

**CLEAR DOOR WIDTH KEY**

AMOR ROLL UP DOORS:	-2 1/4"
GORTIE ROLL UP DOORS:	-2 1/2"
PIERCE DOUBLE LAP DOORS:	-4 1/4"
PIERCE LEFT-UP LAP DOORS:	-1 1/2"
(EX: 60" F-F - 2 1/4" = 57 3/4" CLEAR)	
(F-F) = FRAME TO FRAME	

REV	DATE	BY	CH	REV	DATE	BY	CH
230CT23	DHE	CDK	CHASSIS DATA	230CT23	DHE	CDK	PIERCE
180CT23	DHE	CDK	MAKE	05JUL23	DHE	CDK	PIERCE
22JUN23	DHE	CDK	MODEL	19APR23	DHE	CDK	EN5010

		JOB NO.	38248
		SCALE	1:24
TITLE	HEAVY DUTY RESCUE WALKIN/NON-WALKIN COMBO	DRAWN BY	DHE
FOR	KANSAS CITY, KANSAS	CHECKED BY	CDK
DWG NO.	38248AD-SH1	SHEET NO.	1 OF 1
		DATE	06FEB23
		BY	SCHULTZ, KARL