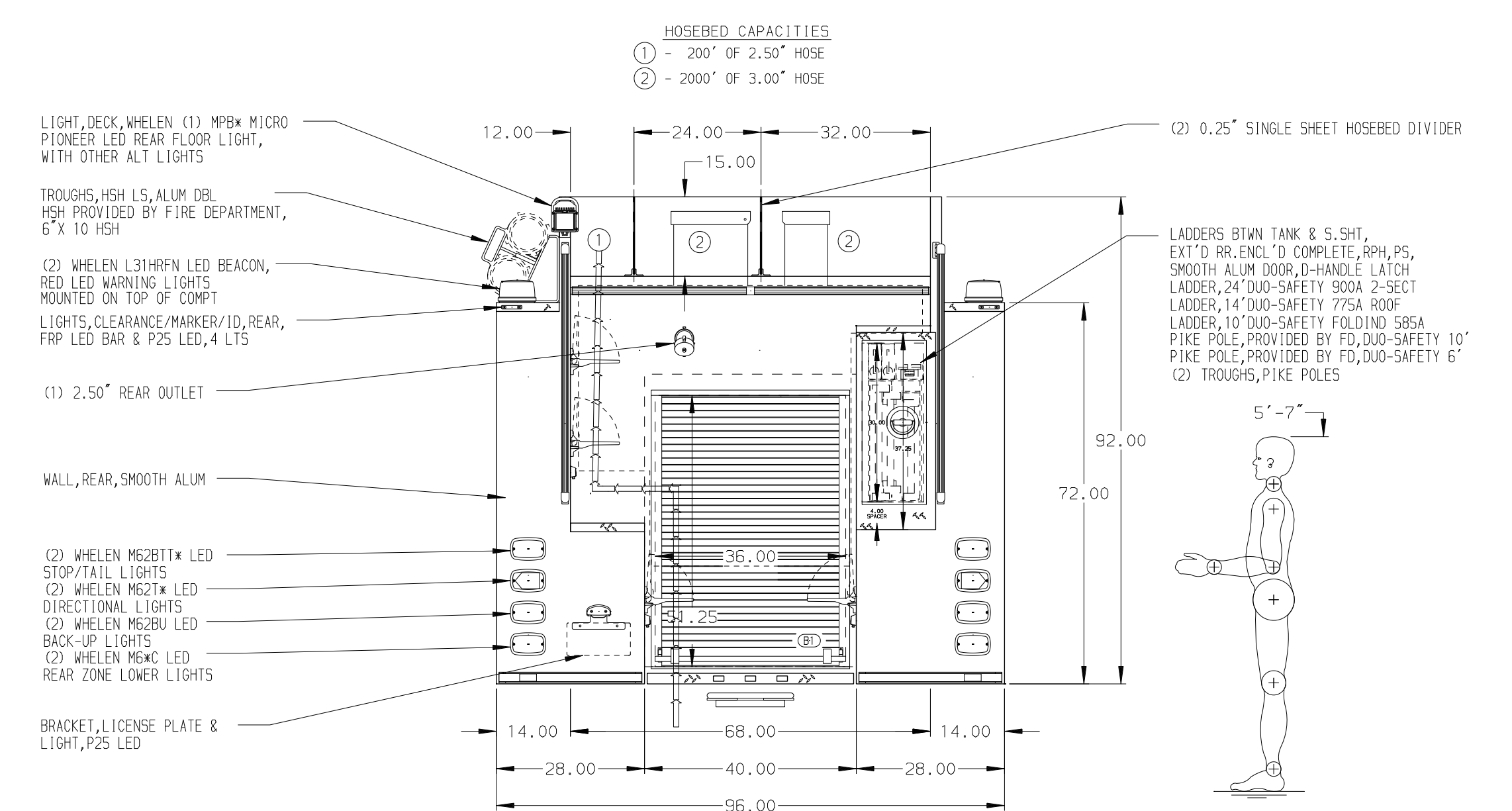
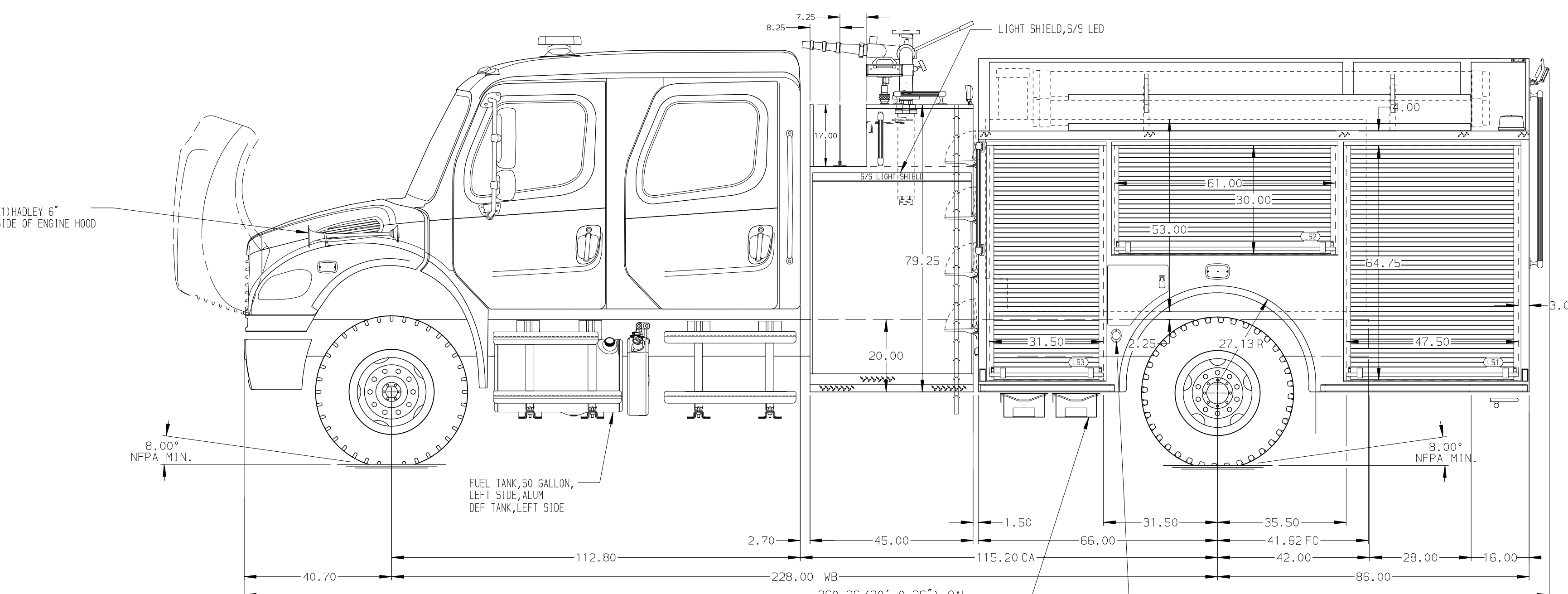
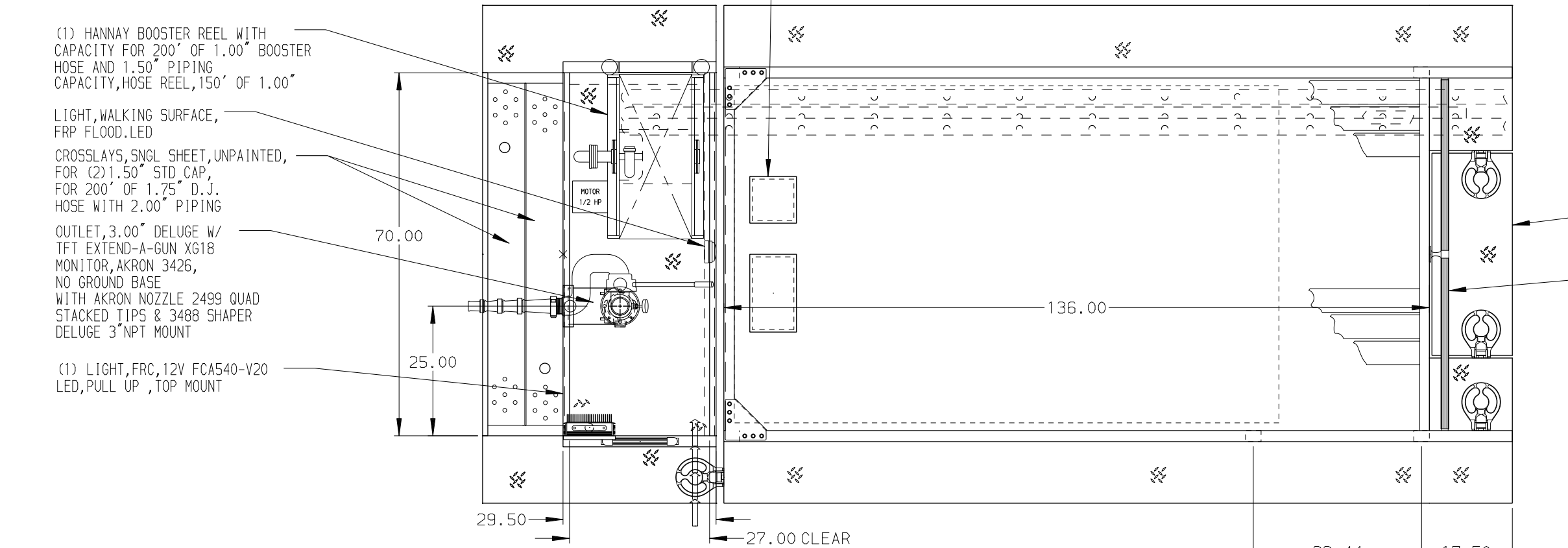
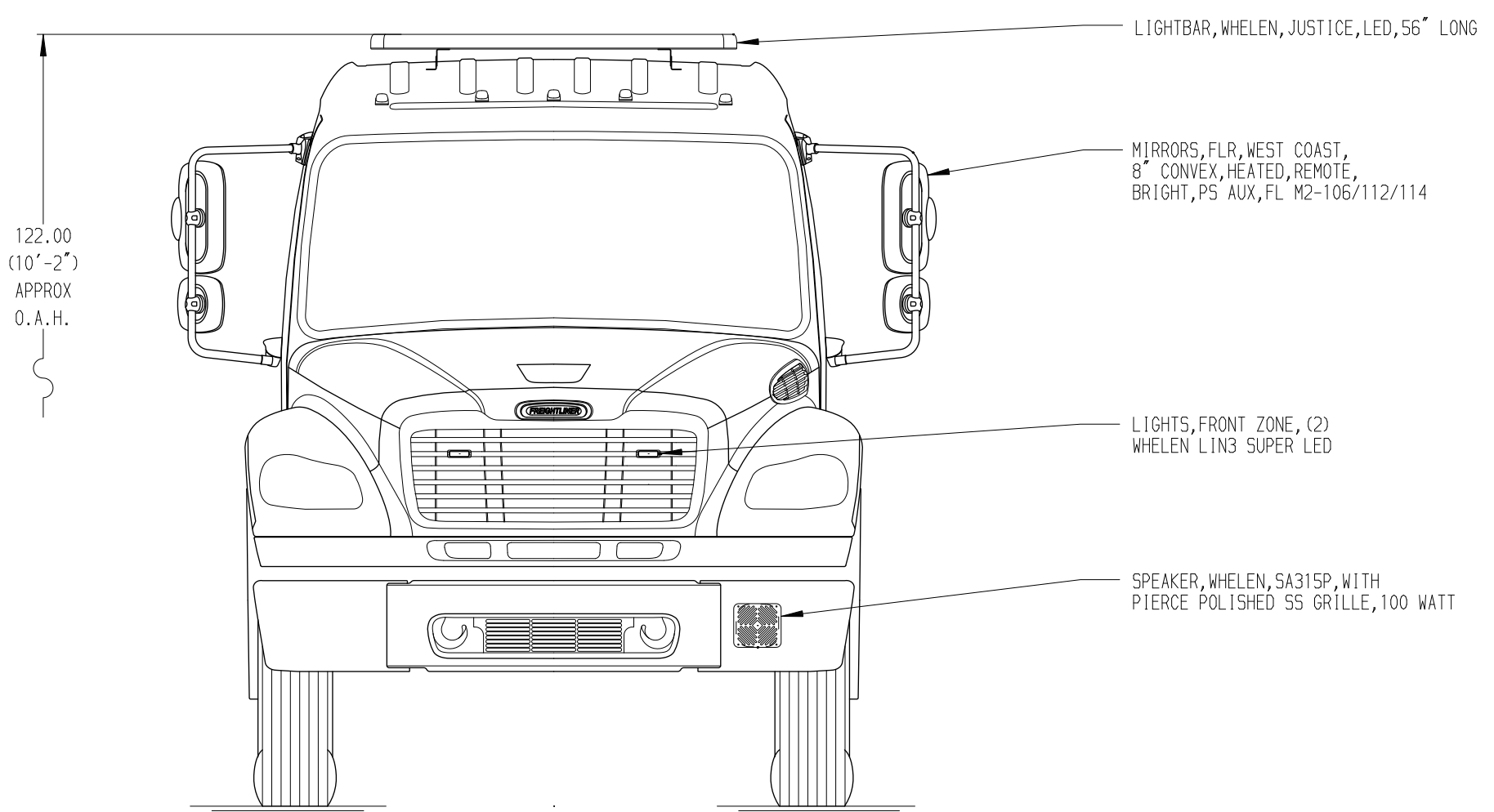


TOW BAR, UNDER TAILBOARD

RUBRAIL, ALUM EXT, SIDE & REAR OF BODY

(1) COMPT, EXTINGUISHER (2) IN FENDER PANEL, TRIANGULAR POLISHED SS DOOR, FLUSH LIFT & TURN LATCH



ALUMINUM BODY

NOTE
DIMENSIONS SHOWN ARE APPROXIMATE AND ARE SUBJECT TO MINOR DEVIATIONS AS MAY OCCUR OR BE NECESSARY IN CONSTRUCTION. MINOR DETAILS NOT SHOWN.

		MANUFACTURING INC.		JOB NO.	PRELIM
		APPLETON, WISCONSIN		DATE	SCALE 1:24
TITLE	1250-D-990P, 10GAL FOAM, 152" FULL HGT FT&RR, FDLR 45" SIDE CONTROL, (2) 1.5" CROSSLAYS			08MAY23	DRAWN BY JLA
FOR	UPPER McKENZIE RFPD McKENZIE BRIDGE, OREGON			10MAY23	CHK'D BY AJA
DRWG. NO.	38683AD			SHEET NO. 1 OF 1	SHEET SIZE D

REV.	DATE	BY	CHK'D	MODEL
28AUG23	RWR	NAS		CHASSIS DATA
11JUL23	RWR	NAS		CHASSIS FL
17MAY23	JLA	AJA		MODEL M2-106