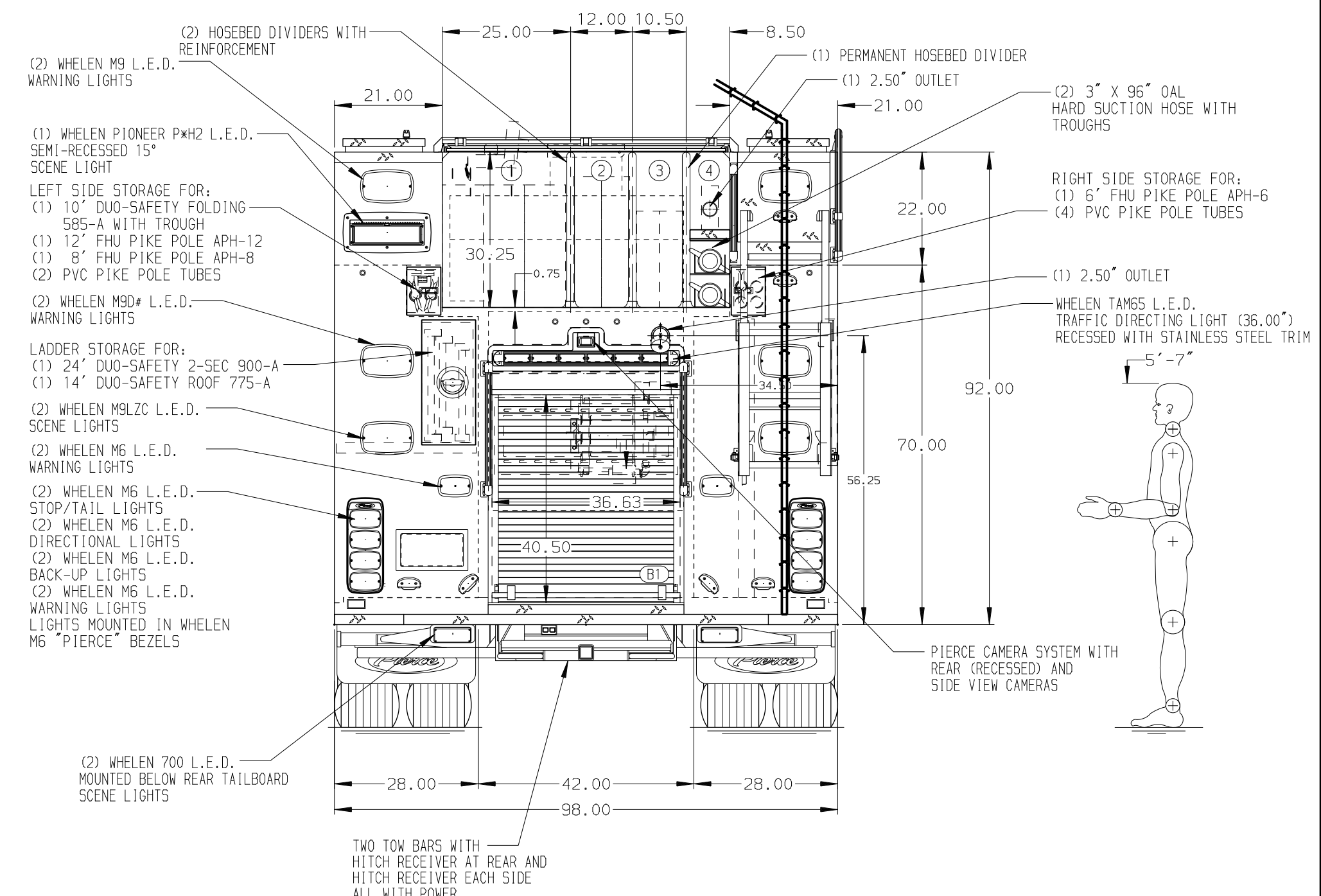
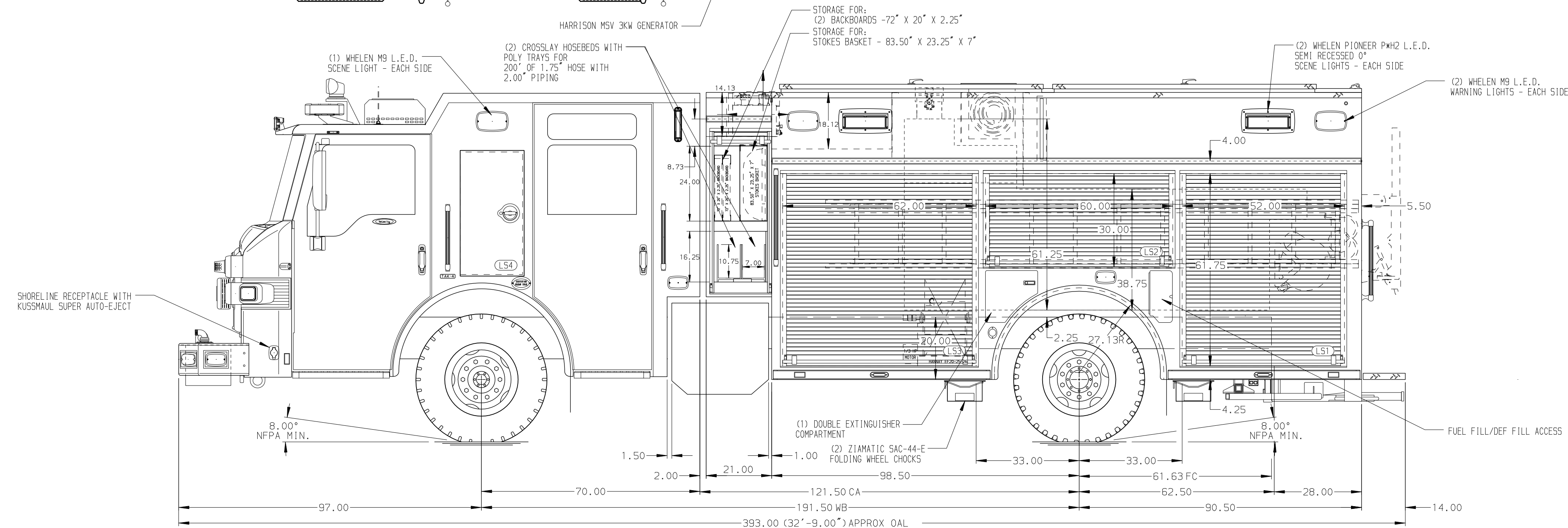


HOSEBED CAPACITIES

①	- 800' OF 5.00" DJP HOSE
②	- 550' OF 3.00" DJP HOSE
③	- 400' OF 2.50" DJP HOSE
④	- 100' OF 1.75" DJP HOSE



ALUMINUM BODY MAXIMUM O.A.L. 393" FRONTAL IMPACT PROTECTION

NOTE
DIMENSIONS SHOWN ARE APPROXIMATE AND ARE SUBJECT TO MINOR DEVIATIONS AS MAY OCCUR OR BE NECESSARY IN CONSTRUCTION. MINOR DETAILS NOT SHOWN.

- RUD AUTOMATIC TIRE CHAINS PROVIDED AT REAR
- AIR OUTLET WITH SHUTOFF VALVE LOCATED IN DRIVER'S SIDE STEP WEL
- BATTERY CHARGER LOCATED IN L12 PER ORDER
- BATTERY CHARGE INDICATOR LOCATED NEAR DRIVER'S SEAT RISER WITH BRACKET
- LITTLE GIANT MODEL 13 LADDER LOCATED IN BODY COMPARTMENT RS3 PER ORDER
- HANNAY STEEL BOOSTER REEL MODEL: EF20-25-26 FOR 130' OF 1.00" HOSE LOCATED IN L53 PER ORDER
- INVERTER/BATTERY CHARGER LOCATED IN L53 PER ORDER
- CIRCUIT BREAKER PANEL FOR PTO GENERATOR LOCATED IN BODY COMPARTMENT L53 PER ORDER
- HANNAY ELECTRIC CABLE REEL MODEL: 1616-17-18 WITH 200' OF 12/3 YELLOW CORD LOCATED IN BODY COMPARTMENT B1 PER ORDER

REV	DATE	BY	CH	VELOCITY FR
1	15SEP25	JAM	TDC	PIERCE
2	14AUG25	JAM	TDC	MODEL

		JOB NO.	39668
		SCALE	DATE
TITLE	1500GPM, 750G TANK, 730G WATER, 20G FOAM 189" PUC, MUX	DRAWN BY	16MAY25
FOR	ST. GEORGE FIRE DEPARTMENT ST. GEORGE, UTAH	CHECKED BY	16MAY25
DWG NO.	39668AD	SHEET SIZE	SHEET NO.
		D	1 OF 1