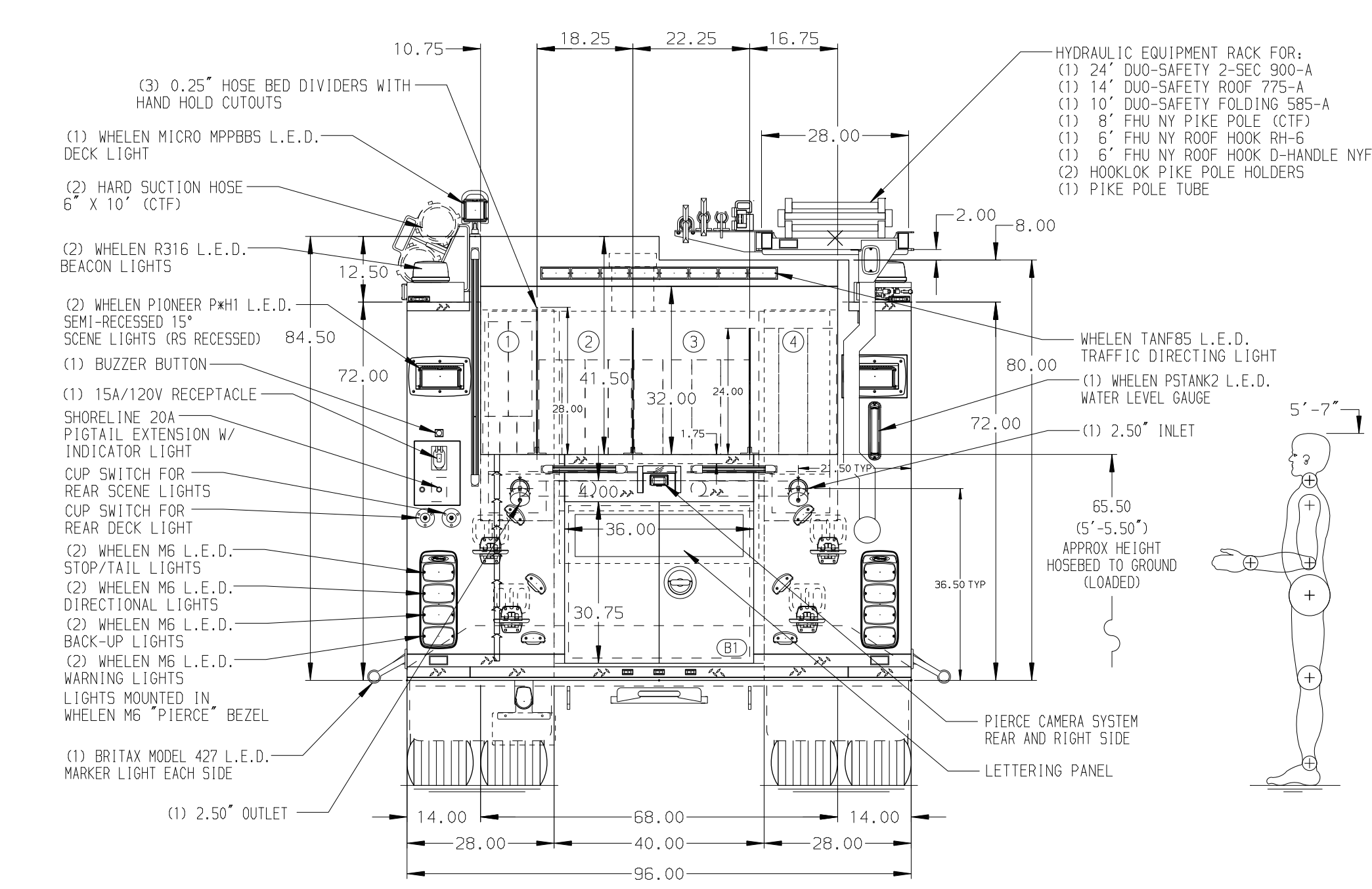
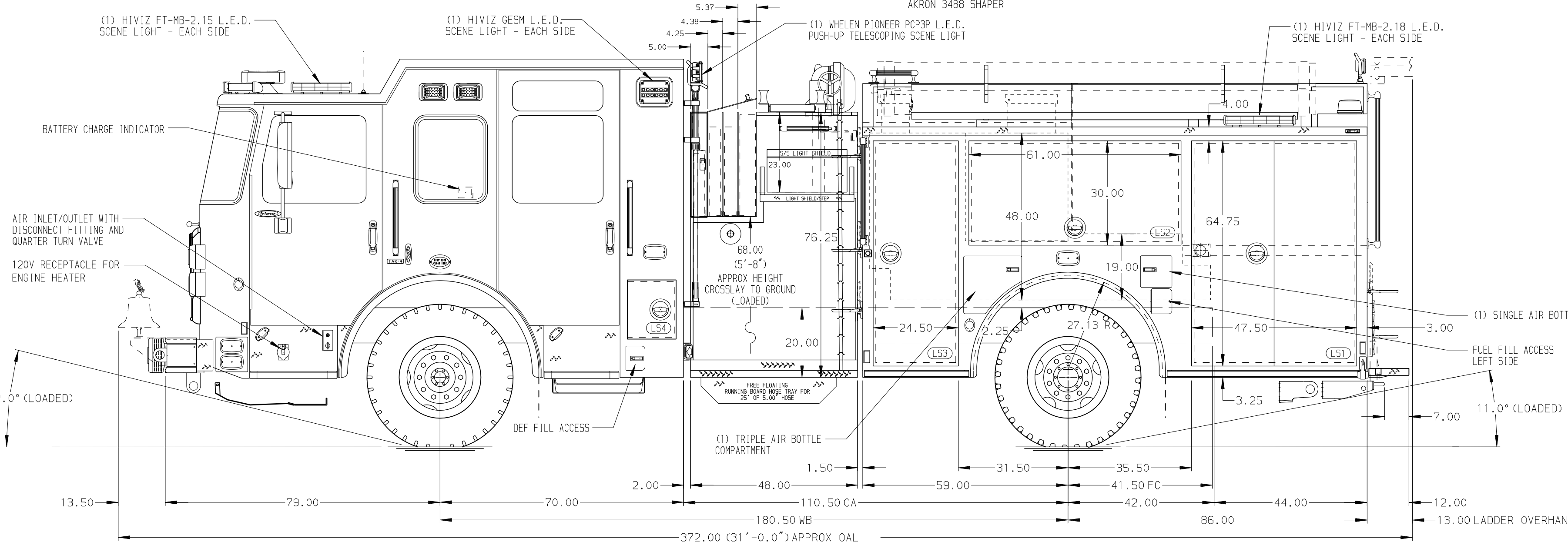
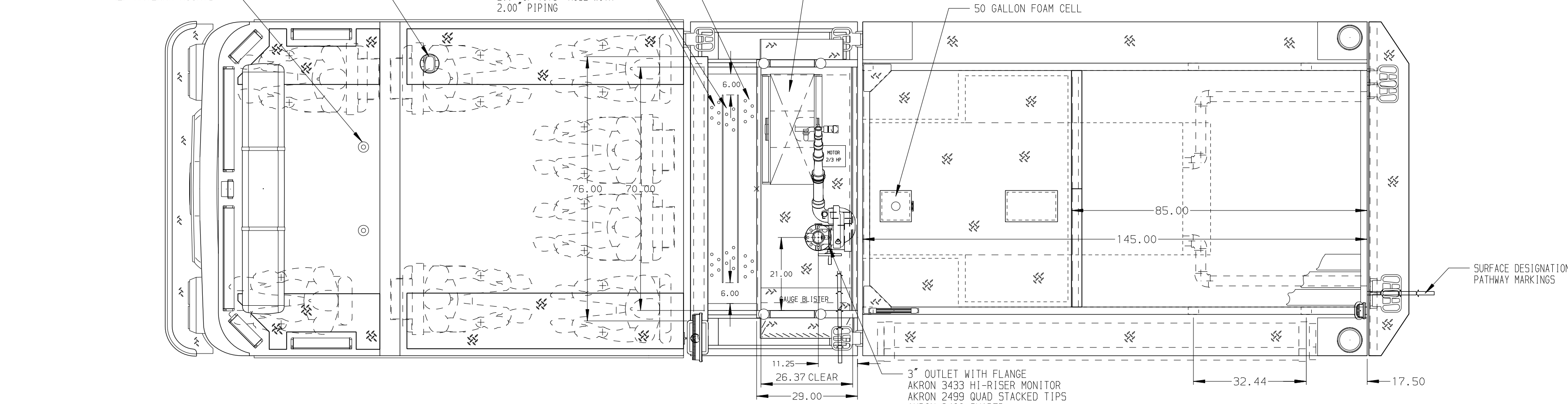


TORX HEAD SCREWS
NUTSERTS

- HOSEBED CAPACITIES
- ① - 200' OF 1.75\"/>



ALUMINUM BODY MAXIMUM O.A.H. 120\"/>

REFERENCE: 38287

		JOB NO.	39737
		SCALE	DATE
TITLE	1500GPM, 550G TANK, 500G WATER, 50G FOAM		
FOR	145\"/>		
DWG NO.	39737AD-SH1		

NOTE
DIMENSIONS SHOWN ARE APPROXIMATE AND ARE SUBJECT TO MINOR DEVIATIONS AS MAY OCCUR OR BE NECESSARY IN CONSTRUCTION. MINOR DETAILS NOT SHOWN.

- 1. WHEEL CHOCKS AND MOUNTING BRACKETS PROVIDED BY CUSTOMER
- 2. PACCAR DEF TANK MOUNTED UNDER CAB ON THE DRIVER'S SIDE
- 3. BATTERY CHARGER LOCATED BEHIND DRIVER'S SEAT
- 4. FOMPRO 2002 FOAM SYSTEM

28OCT25	SAM	BSE	CHASSIS DATA
04AUG25	SAM	BSE	MAKE
05JUN25	SAM	BSE	PIERCE
02JUN25	SAM	BSE	MODEL
09APR25	SAM	BSE	ENFORCER
REV	DATE	BY	CH