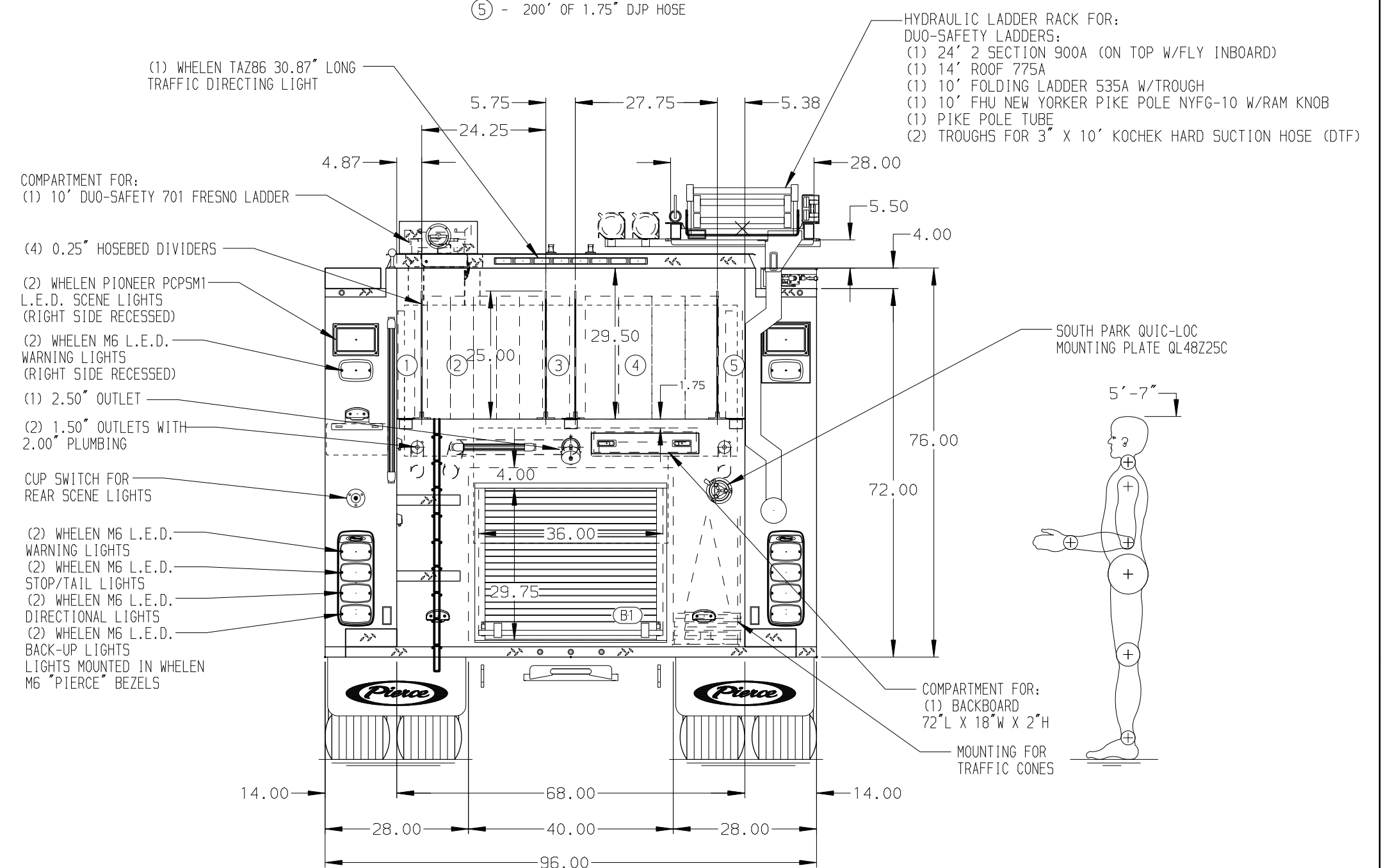
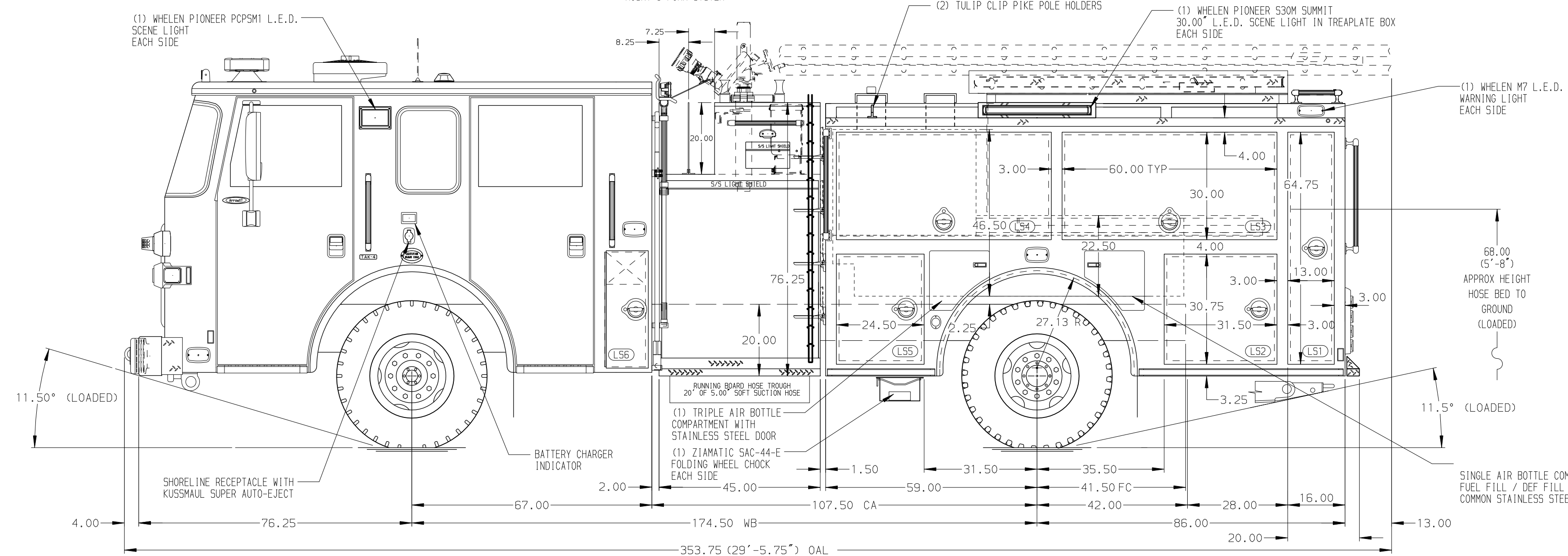


- HOSEBED CAPACITIES
- ① - 200' OF 1.75" DJP HOSE
 - ② - 800' OF 2.50" DJP HOSE
 - ③ - 200' OF 2.50" DJP HOSE
 - ④ - 1000' OF 4.00" DJP HOSE
 - ⑤ - 200' OF 1.75" DJP HOSE



ALUMINUM BODY

TARGET O.A.H. = 117.00"

NOTE
DIMENSIONS SHOWN ARE APPROXIMATE AND ARE SUBJECT TO MINOR DEVIATIONS AS MAY OCCUR OR BE NECESSARY IN CONSTRUCTION. MINOR DETAILS NOT SHOWN.

- 1. AIR INLET/OUTLET WITH DISCONNECT FITTING LOCATED AT DRIVER'S SIDE PUMP PANEL
- 2. BATTERY CHARGER LOCATED IN CAB SEAT RISER PER ORDER
- 3. INVERTER ON L5 REAR FACING SEAT RISER

CHASSIS DATA	TITLE	1500 GPM, 530 G TANK, 500 G WATER, 30 G FOAM CELL
PIERCE	FOR	129" BODY, MUX
MODEL		SANTA ROSA FIRE DEPARTMENT
ARROW XT	DWG NO.	SANTA ROSA, CALIFORNIA

	JOB NO.	39793 01-05
	SCALE	DATE
	DRAWN BY	LST 2MAY25
	CHECKED BY	KLH 02MAY25
	SHEET SIZE	SHEET NO.
		D 1 OF 1

39793AD