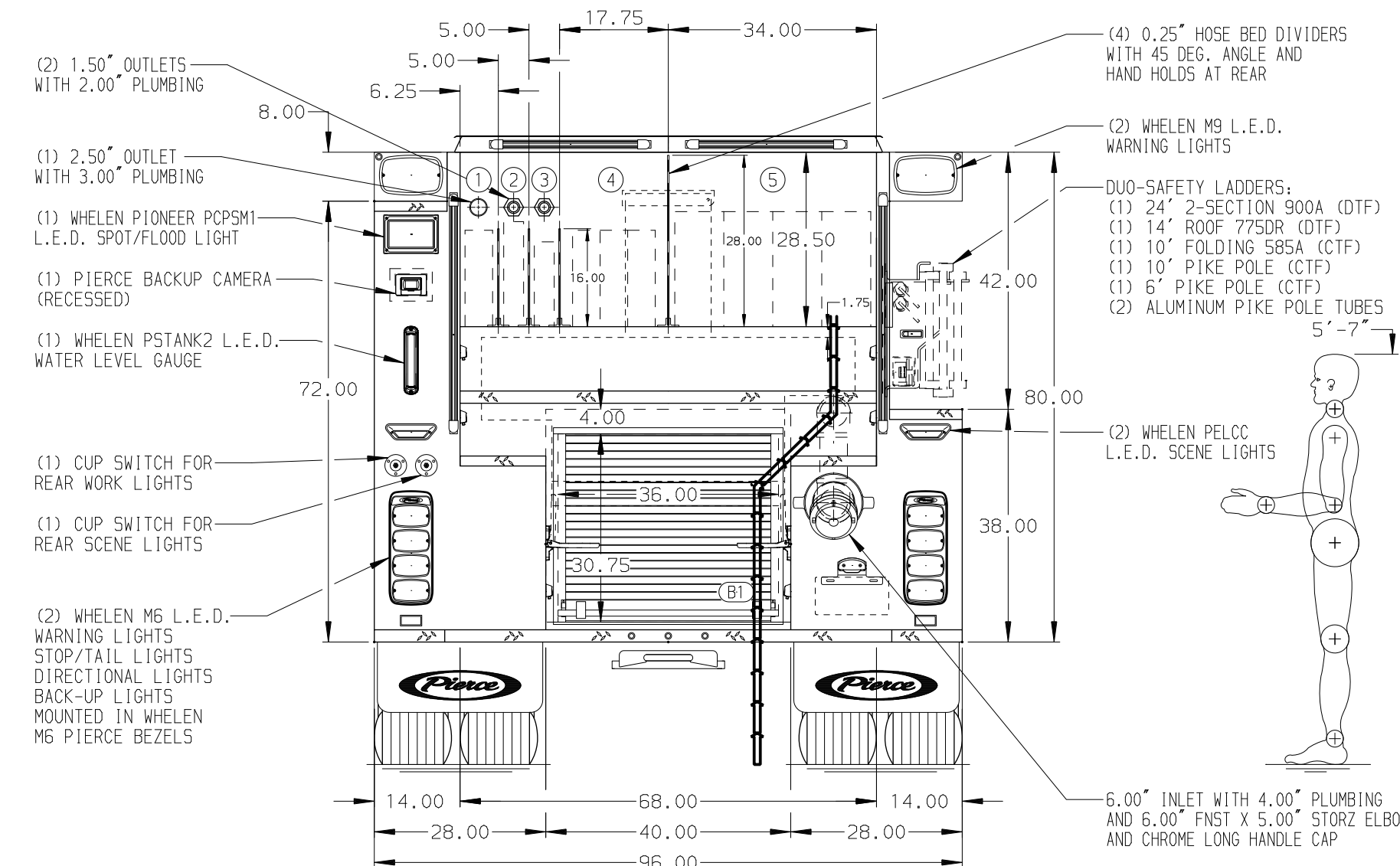
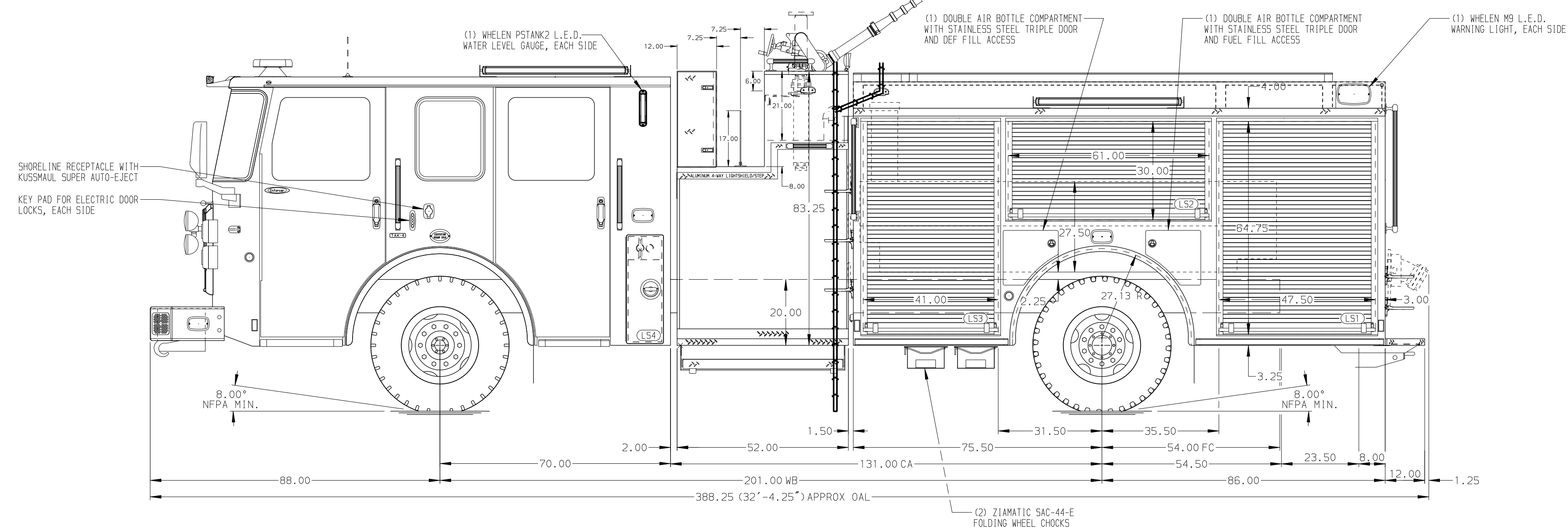


- HOSEBED CAPACITIES
- ① 200' OF 2.50" D.J. POLY HOSE
 - ② 250' OF 1.75" D.J. POLY HOSE
 - ③ 200' OF 1.75" D.J. POLY HOSE
 - ④ 600' OF 2.50" D.J. POLY HOSE
 - ⑤ 1000' OF 5.00" D.J. POLY HOSE



ALUMINUM BODY

NOTE
DIMENSIONS SHOWN ARE APPROXIMATE AND ARE SUBJECT TO MINOR DEVIATIONS AS MAY OCCUR OR BE NECESSARY IN CONSTRUCTION. MINOR DETAILS NOT SHOWN.

- 1. DUAL L.E.D. LIGHT STRIPS LOCATED IN HOSE BED
- 2. ONSPOT AUTOMATIC TIRE CHAINS TO BE PROVIDED AT REAR
- 3. AIR INLET WITH DISCONNECT COUPLING IN THE DRIVER SIDE STEPWELL
- 4. BATTERY CHARGER LOCATED PER ORDER
- 5. BATTERY CHARGE INDICATOR LOCATED ON DRIVER SEAT RISER
- 6. HOWLER SIREN SPEAKER SYSTEM MOUNTED BEHIND BUMPER
- 7. S/STL SCUFFPLATE AROUND FUEL FILL OPENING
- 8. KUSSMAUL AIR COMPRESSOR WITH AIR TANK TO BE LOCATED PER ORDER
- 9. (2) NY PIKE POLE TUBES WITH (2) 5' NY PIKE POLES LOCATED IN TRANSVERSE COMPARTMENT

| | | | |
|---------|------|-----|--------------|
| 22JAN26 | JDA | TDC | CHASSIS DATA |
| 05JAN26 | JDA | TDC | MAKE |
| 24OCT25 | JDA | TDC | PIERCE |
| 29SEP25 | JDA | TDC | MODEL |
| 29AUG25 | JDA | TDC | ENFORCER |
| REV | DATE | BY | CH |

| | | |
|---|------------|----------------|
| | JOB NO. | 39826 |
| | SCALE | 01-05 |
| MANUFACTURING INC. | DATE | 19MAY25 |
| | DRAWN BY | JDA |
| TITLE 2000 GPM, 600G WATERTANK 161" PUMPER, MUX | CHECKED BY | KLH |
| | FOR | TOPEKA, KANSAS |
| DWG NO. | SHEET SIZE | D |
| | SHEET NO. | 1 OF 2 |

39826AD-SH1