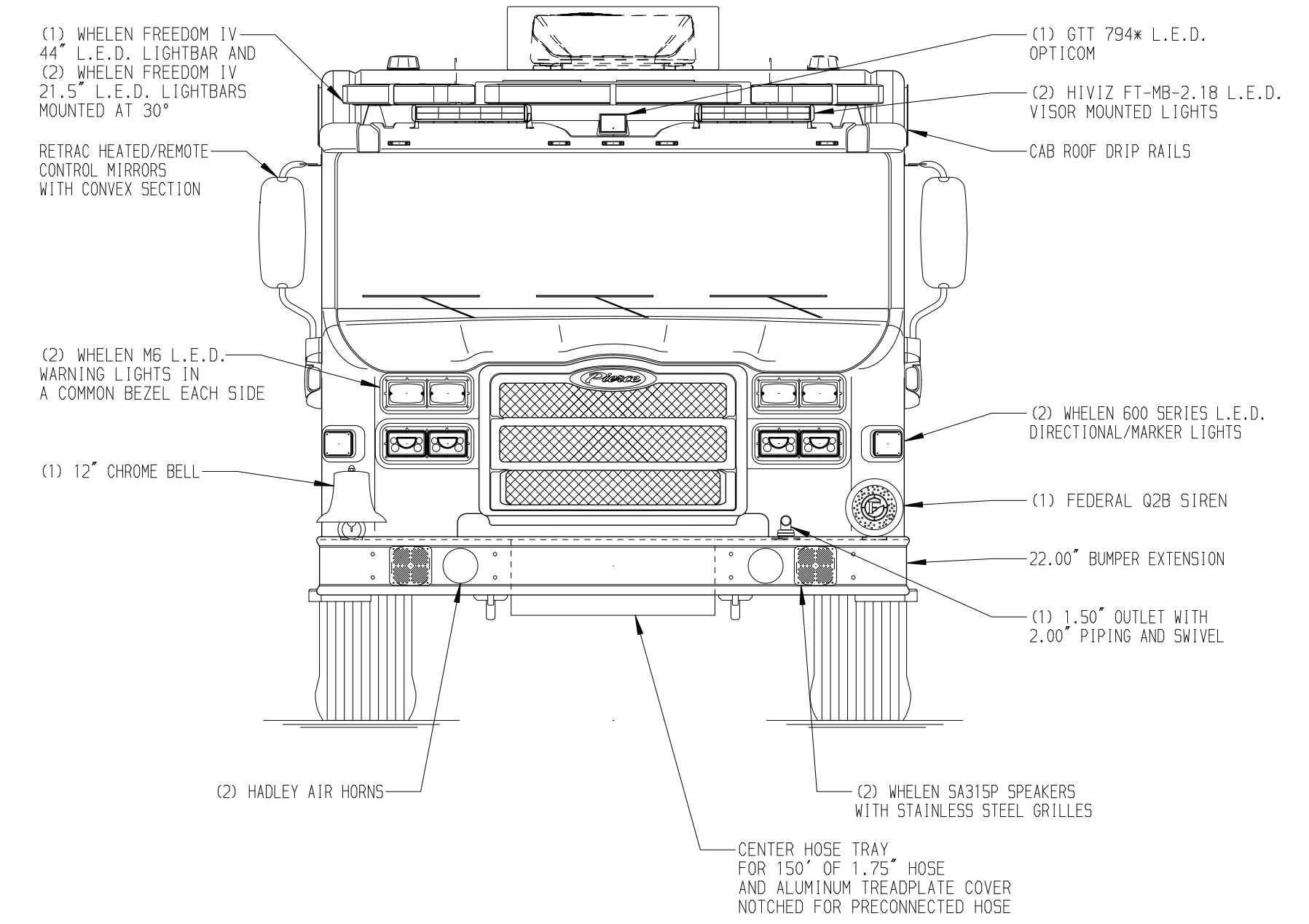
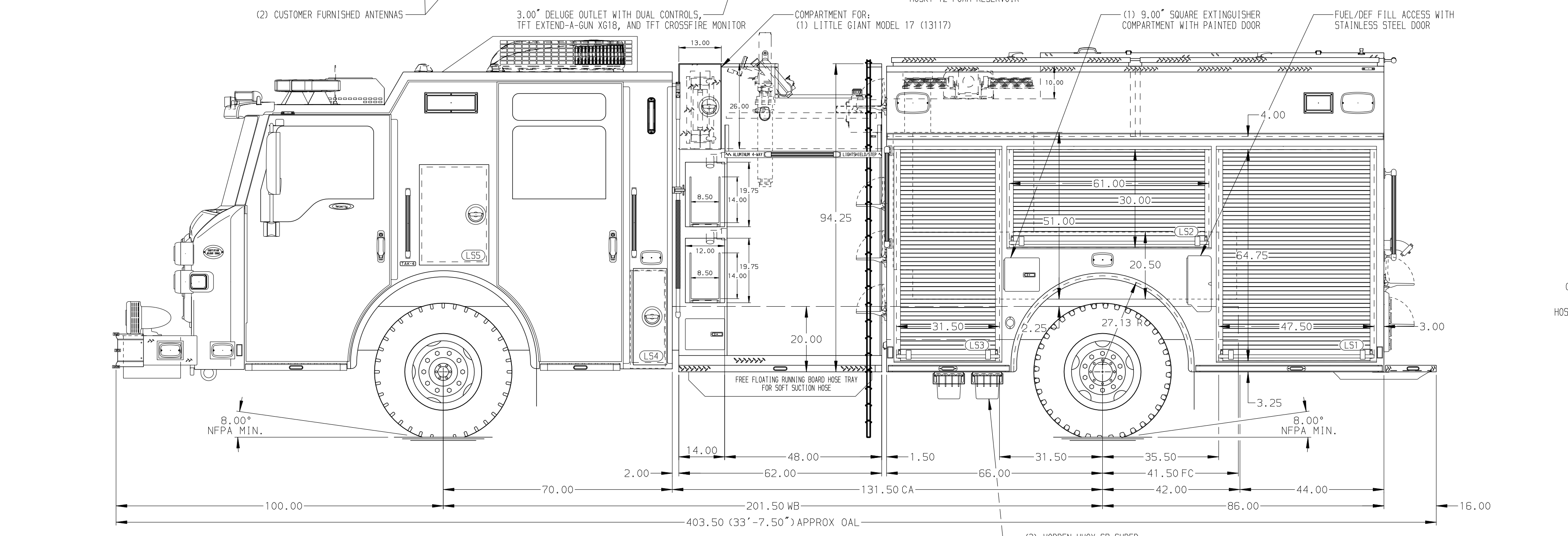
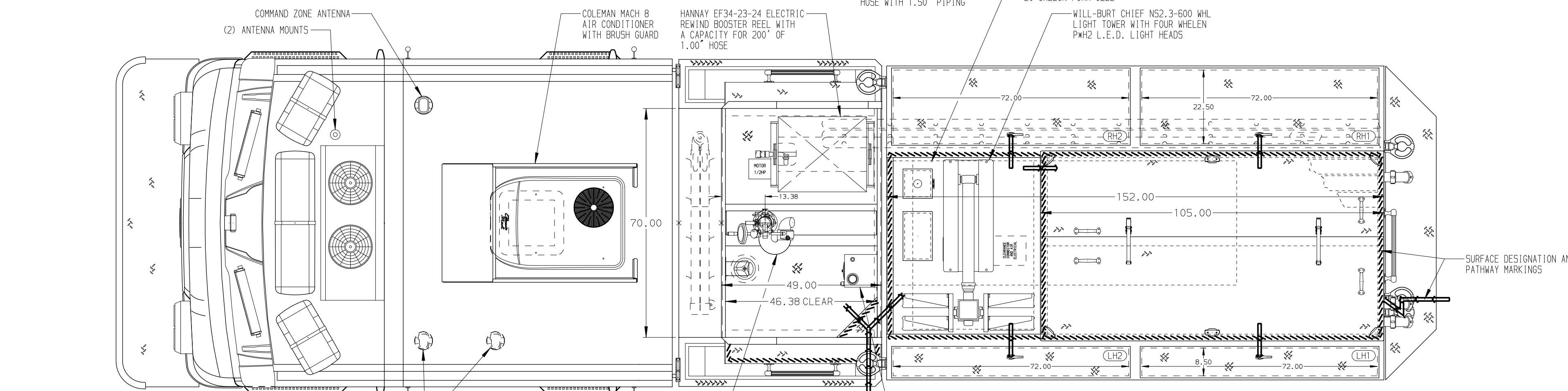
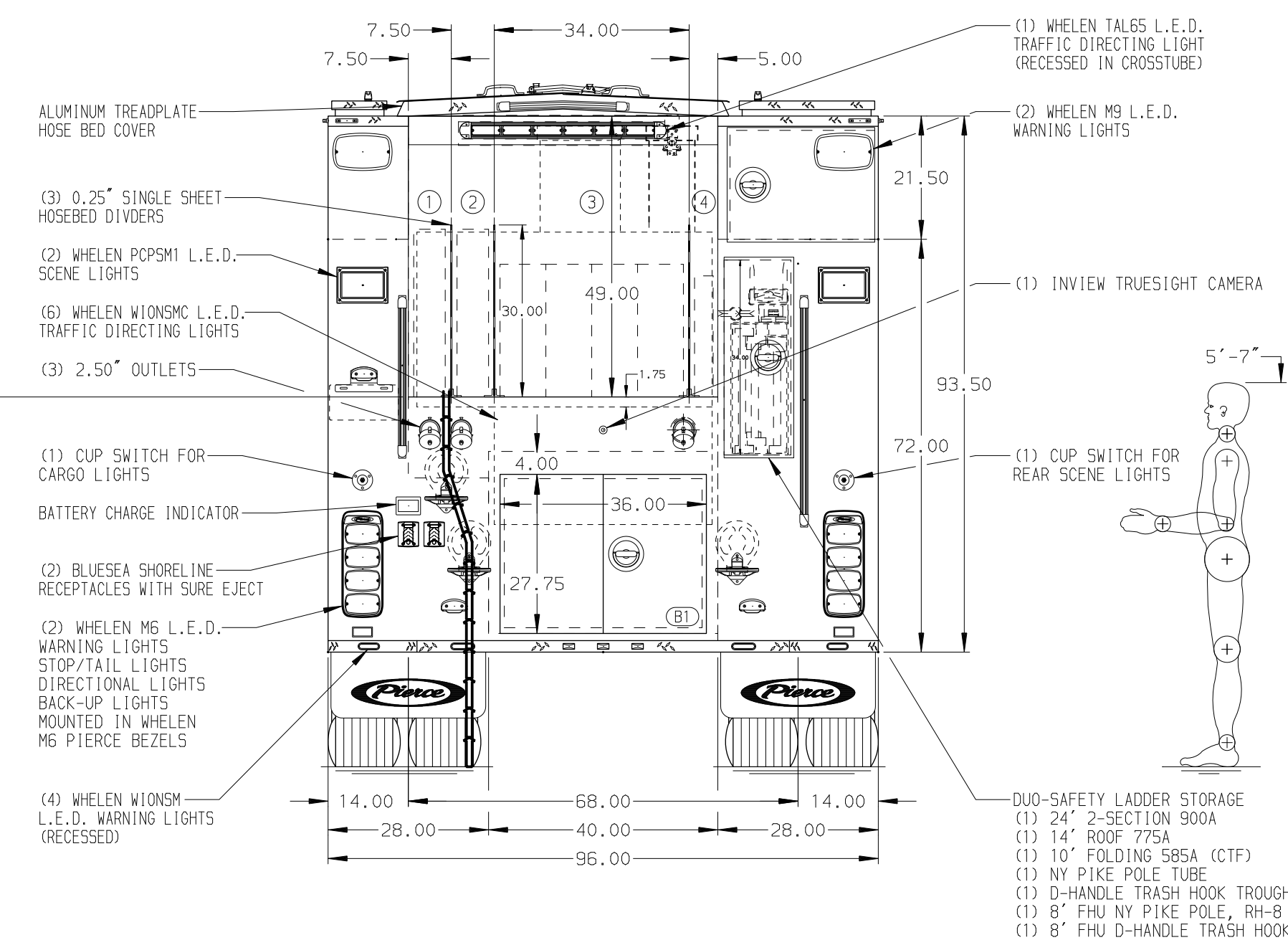


125.50
(10'-5.50")
APPROX
O.A.H.



- HOSEBED CAPACITIES**
- ① 300' OF 3.00" D.J. POLY HOSE
 - ② 300' OF 3.00" D.J. POLY HOSE
 - ③ 1000' OF 5.00" D.J. POLY HOSE
 - ④ 250' OF 1.75" D.J. POLY HOSE



ALUMINUM BODY SIDE ROLL AND FRONTAL IMPACT PROTECTION

NOTE
DIMENSIONS SHOWN ARE APPROXIMATE AND ARE SUBJECT TO MINOR DEVIATIONS AS MAY OCCUR OR BE NECESSARY IN CONSTRUCTION. MINOR DETAILS NOT SHOWN.

1. DUAL L.E.D. LIGHT STRIPS LOCATED IN HOSE BED
2. SINGLE L.E.D. LIGHT STRIP AND TWO P25 LIGHTS LOCATED IN CARGO AREA
3. AIR INLET WITH DISCONNECT COUPLING AND AMFLO FITTING IN THE DRIVER SIDE PUMP PANEL
4. BATTERY CHARGER LOCATED PER ORDER
5. ADDITIONAL AIR TANK LOCATED PER ORDER
6. KUSSMAUL AIR COMPRESSOR (MODEL 091-SHP-AD) LOCATED BEHIND DRIVER SEAT
7. ONSHOT AUTOMATIC TIRE CHAINS TO BE PROVIDED AT REAR
8. JUMPER STUDS LOCATED UNDER DRIVER SIDE CREW STEP WITH LABEL
9. HOWLER SIREN SPEAKER SYSTEM MOUNTED BEHIND BUMPER

10. MOUNTING FOR ONE DUO-SAFETY 6\"/>

08APR26	JDA	GKH	CHASSIS DATA
31MAR26	JDA	GKH	MAKE
17NOV25	JDA	CHR	PIERCE
10NOV25	JDA	CHR	MODEL
10OCT25	JDA	CHR	VELOCITY FR
REV	DATE	BY	CH

		JOB NO.	39912
		SCALE	DATE
TITLE	2000 GPM, 520G TANK, 500G WATER, 20G FOAM 152\"/>	DRAWN BY	JDA
FOR	SOUTHLAKE DPS SOUTHLAKE, TEXAS	CHECKED BY	KLH
DWG NO.	39912AD	SHEET SIZE	D
		SHEET NO.	1 OF 1