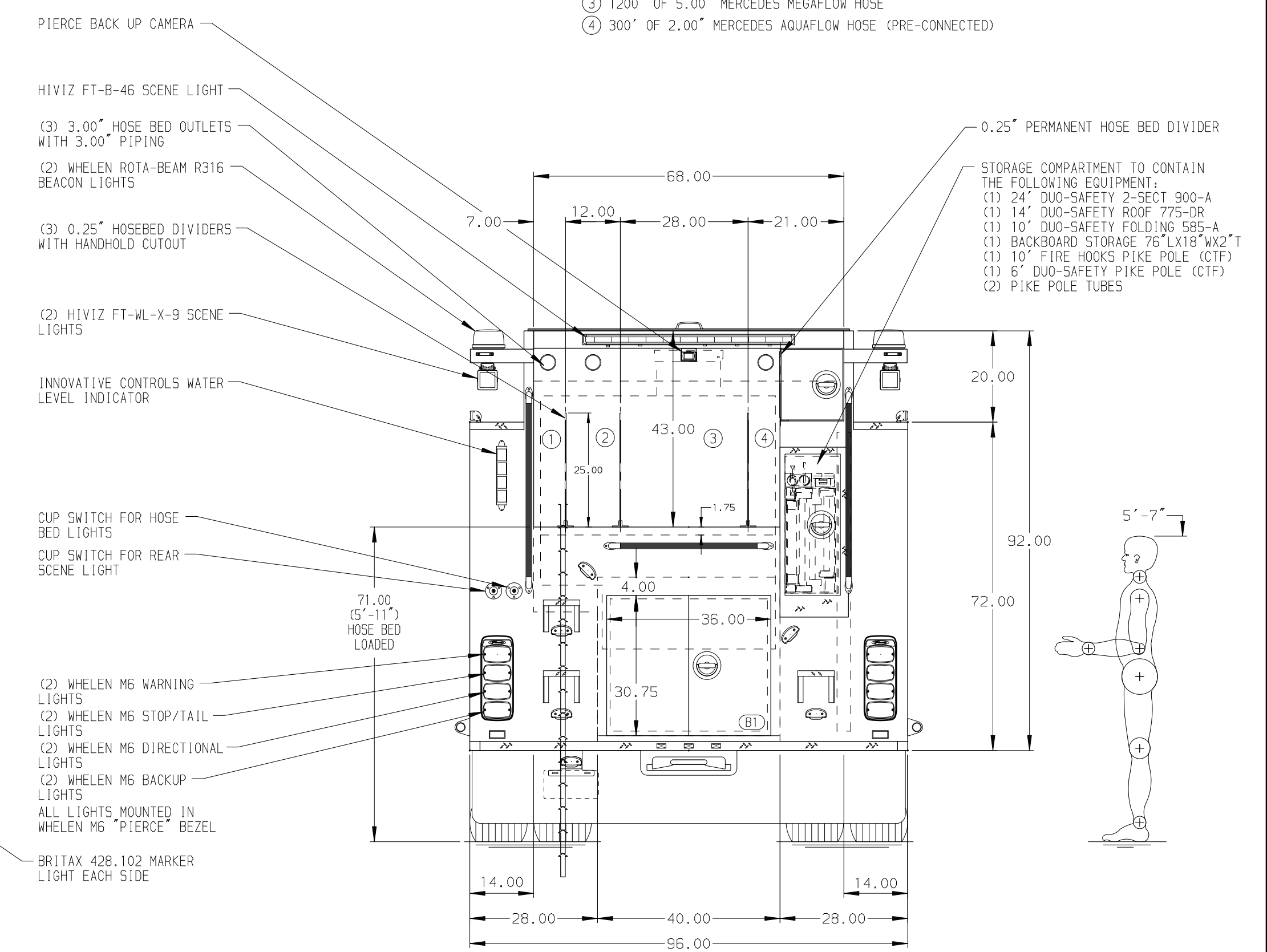
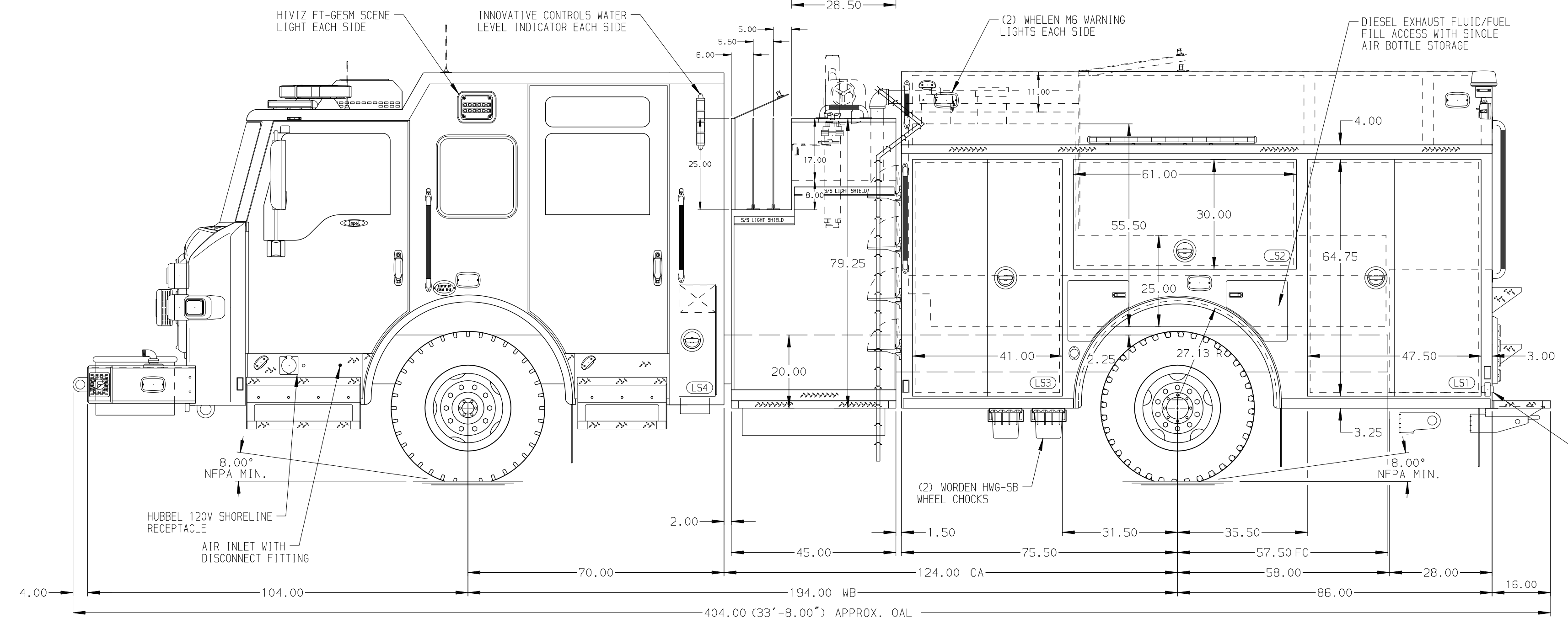


- HOSEBED CAPACITIES**
- ① 300' OF 3.00" MERCEDES AQUAFLOW HOSE (PRE-CONNECTED)
  - ② 400' OF 3.00" MERCEDES AQUAFLOW HOSE (PRE-CONNECTED)
  - ③ 1200' OF 5.00" MERCEDES MEGAFLOW HOSE
  - ④ 300' OF 2.00" MERCEDES AQUAFLOW HOSE (PRE-CONNECTED)



**STAINLESS STEEL BODY**

**NOTE**  
DIMENSIONS SHOWN ARE APPROXIMATE AND ARE SUBJECT TO MINOR DEVIATIONS AS MAY OCCUR OR BE NECESSARY IN CONSTRUCTION. MINOR DETAILS NOT SHOWN.

- 1. BATTERY CHARGER INDICATOR LOCATED PER ORDER
- 2. BATTERY CHARGER LOCATED PER ORDER
- 3. ONE SWING-OUT TOOLBOARDS WITH PEGBOARD PATTERN LOCATED PER ORDER
- 4. TWO PARTITIONS LOCATED PER ORDER
- 5. EXTERNAL FOAM SYSTEM
- 6. TWO 120V DUPLEX RECEPTACLES LOCATED IN CAB PER ORDER

REV	DATE	BY	CH	IMPEL
26AUG25	BST	DTJ		
07AUG25	BST	DTJ		
13JUN25	BST	SZE		

		JOB NO.	39941
		SCALE	DATE
<b>CHASSIS DATA</b> TITLE 2000GPM, 780G TANK, 750G WATER, 30G FOAM CELL 161" PUMPER BODY, MUX FOR LAKE SHORE FIRE DISTRICT ROCHESTER, NEW YORK	DRAWN BY	BST	28MAY25
	CHECKED BY	SZE	28MAY25
	SHEET SIZE	D	SHEET NO.

39941AD