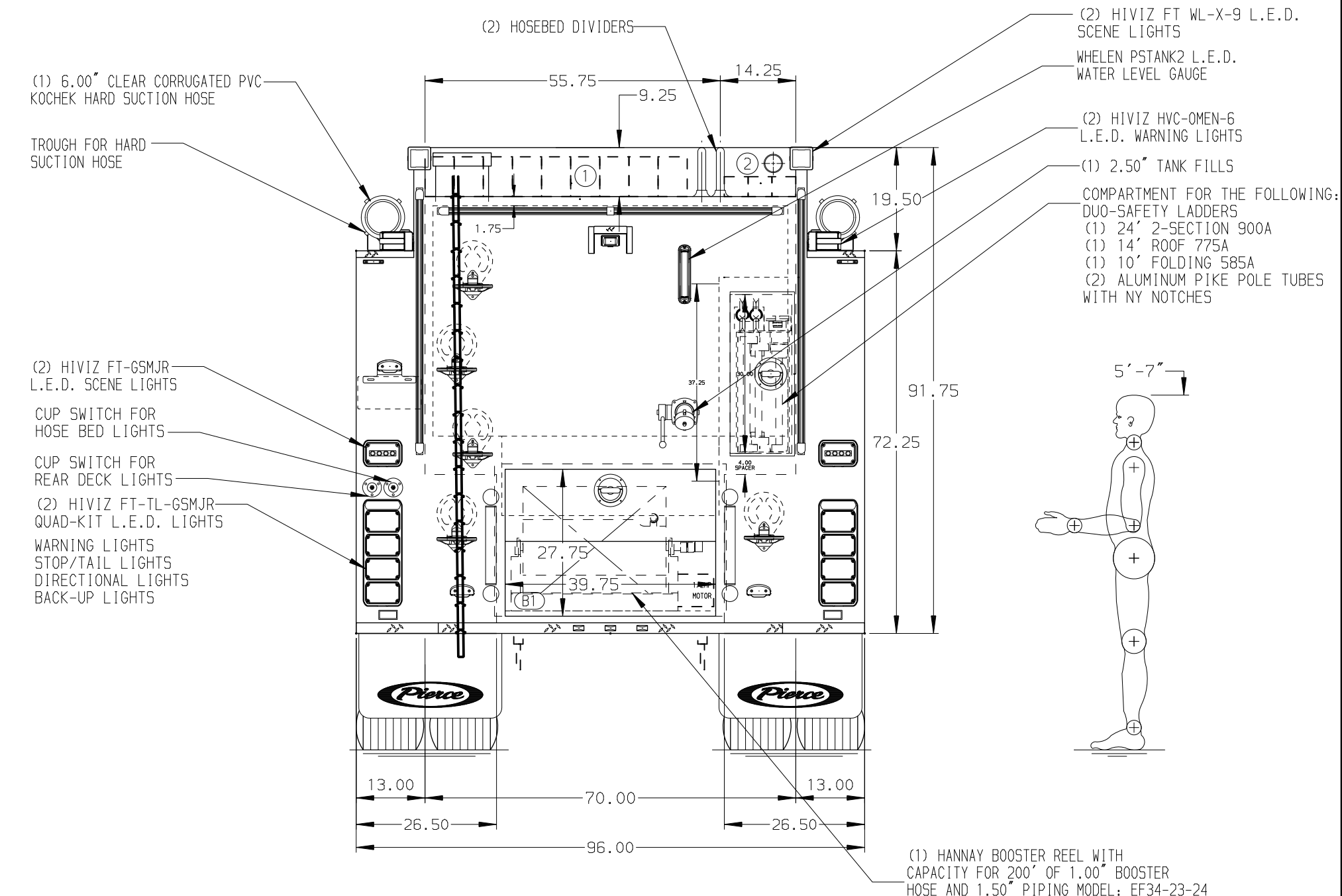
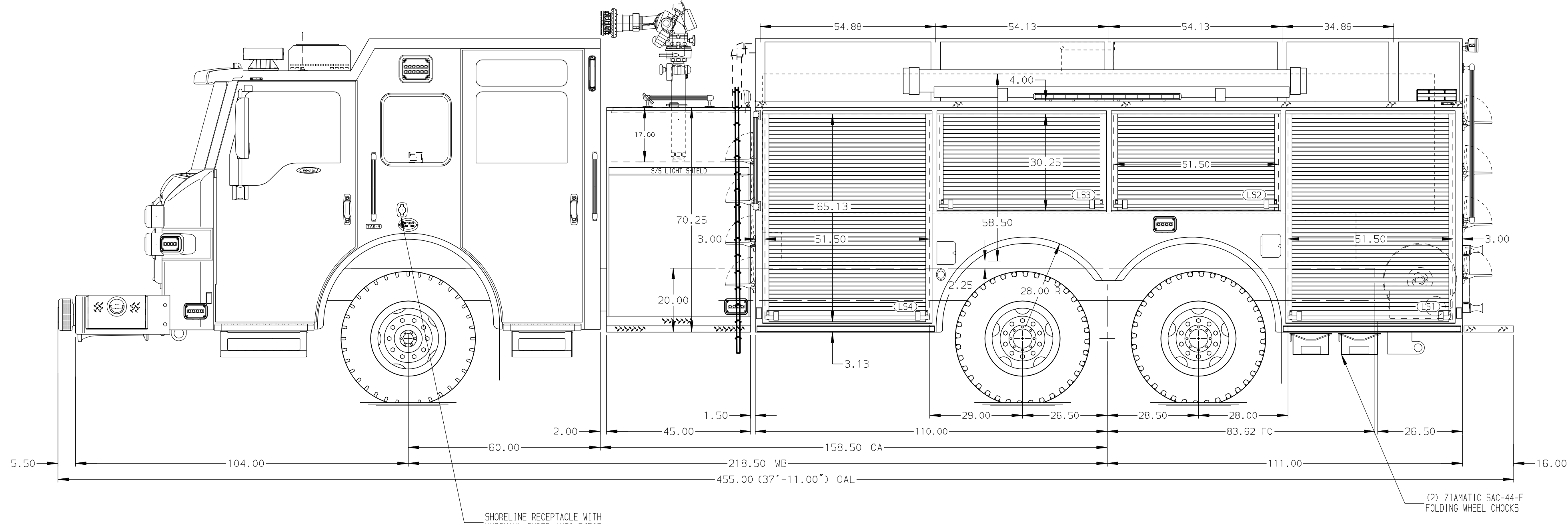


HOSEBED CAPACITIES

① 1200' OF 3.00" D.J. POLY HOSE

② 200' OF 2.50" D.J. POLY HOSE



ALUMINUM BODY

SIDE ROLL AND FRONTAL IMPACT PROTECTION

NOTE
DIMENSIONS SHOWN ARE APPROXIMATE AND ARE SUBJECT TO MINOR DEVIATIONS AS MAY OCCUR OR BE NECESSARY IN CONSTRUCTION. MINOR DETAILS NOT SHOWN.

- BATTERY CHARGER LOCATED BEHIND DRIVER'S SEAT
- BATTERY CHARGER INDICATOR BEHIND DRIVER'S SEAT DISPLAYED THROUGH WINDOW
- DUAL L.E.D. LIGHT STRIPS LOCATED IN HOSE BED
- AIR INLET LOCATED ON THE PUMP PANEL

REV	DATE	BY	CH	VELOCITY FR
05NOV25	JAM	SJS		CHASSIS DATA
23SEP25	JAM	SJS		MAKE
20AUG25	JAM	SJS		PIERCE
05AUG25	JAM	JPR		MODEL
29JUL25	JAM	IPR		

		JOB NO.	40038
		SCALE	DATE
TITLE 1500 GPM, 2500 GALLON WATERTANK 221" TANKER/PUMPER, MUX FOR PINCKNEYVILLE RURAL FPD PINCKNEYVILLE, ILLINOIS	DRAWN BY	JAM	10JUL25
	CHECKED BY	KLH	10JUL25
DWG NO.	40038AD-SH1		SHEET NO.
			1 OF 2