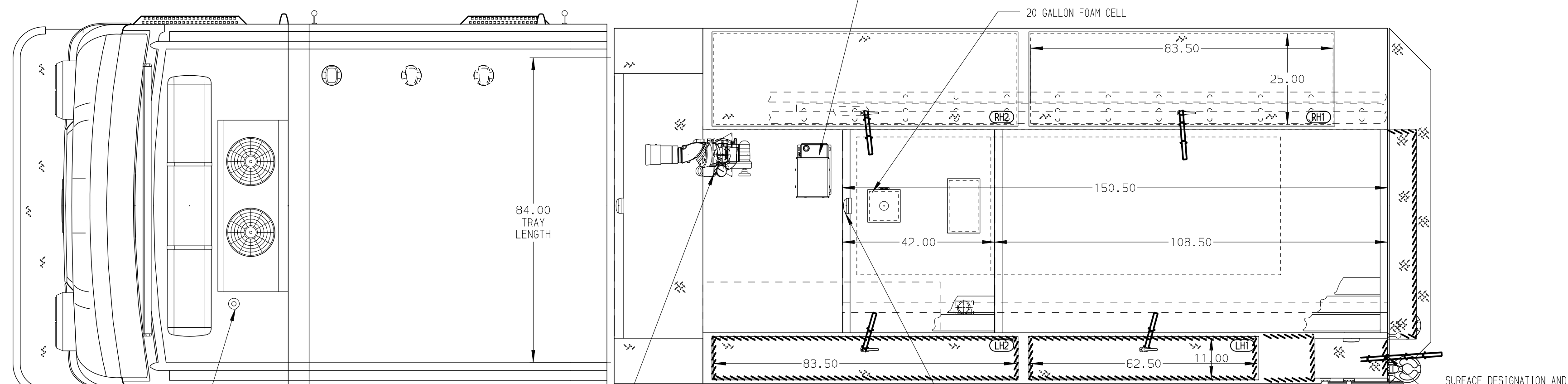
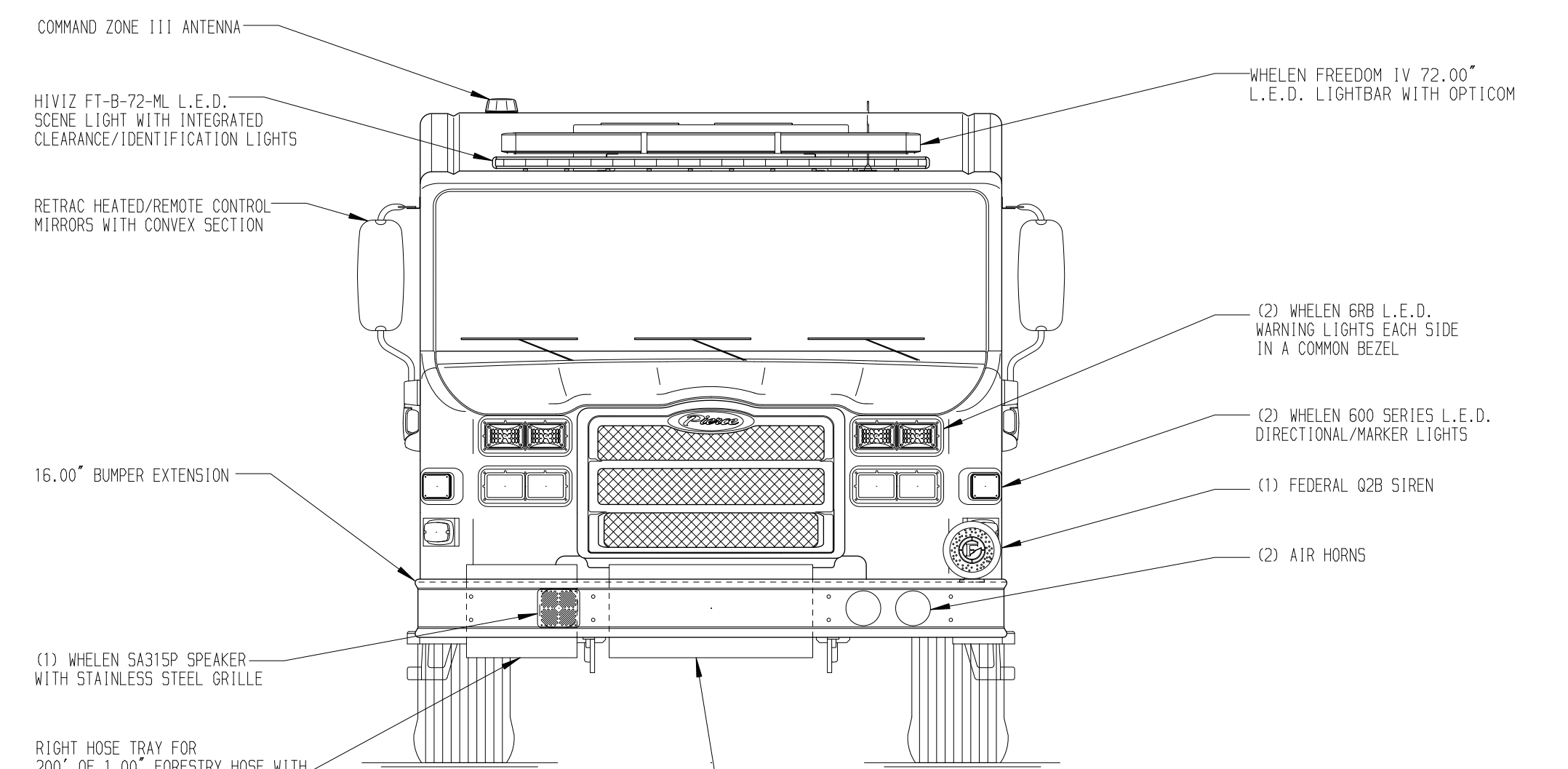
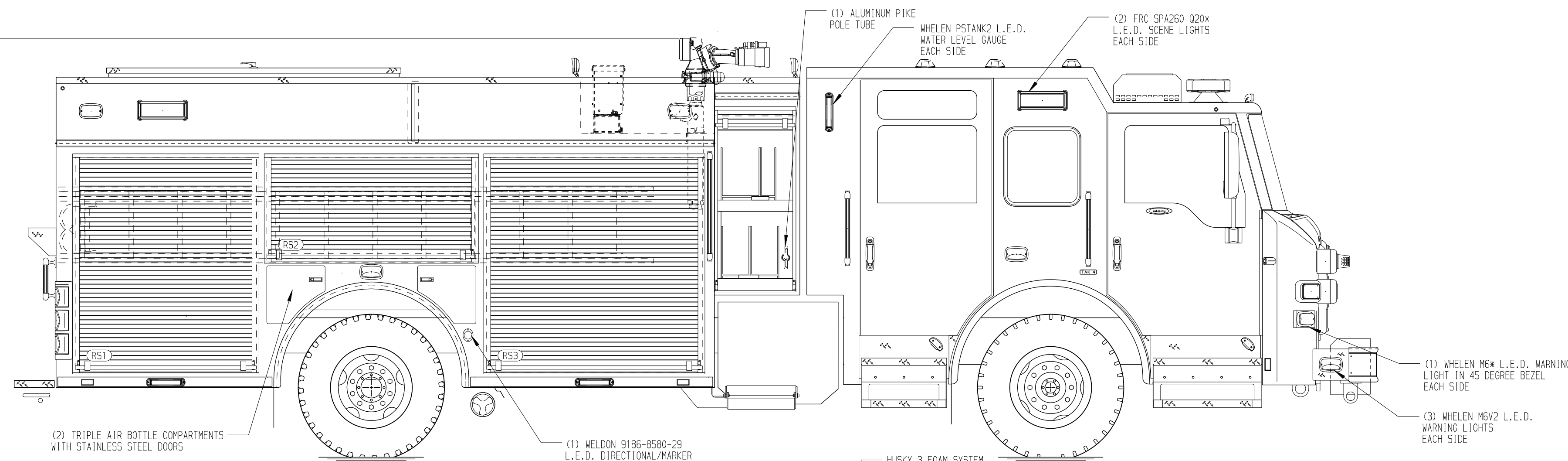
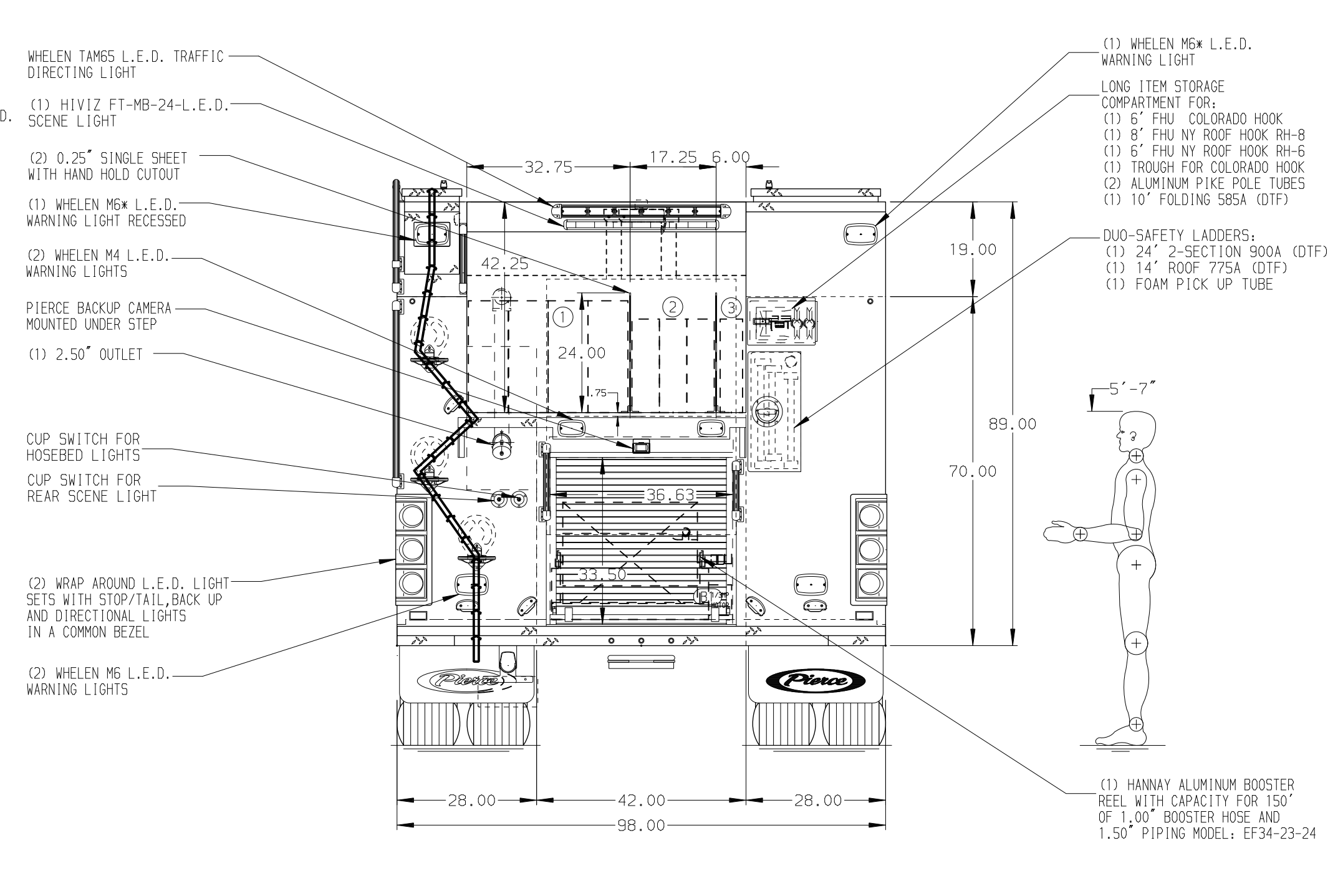
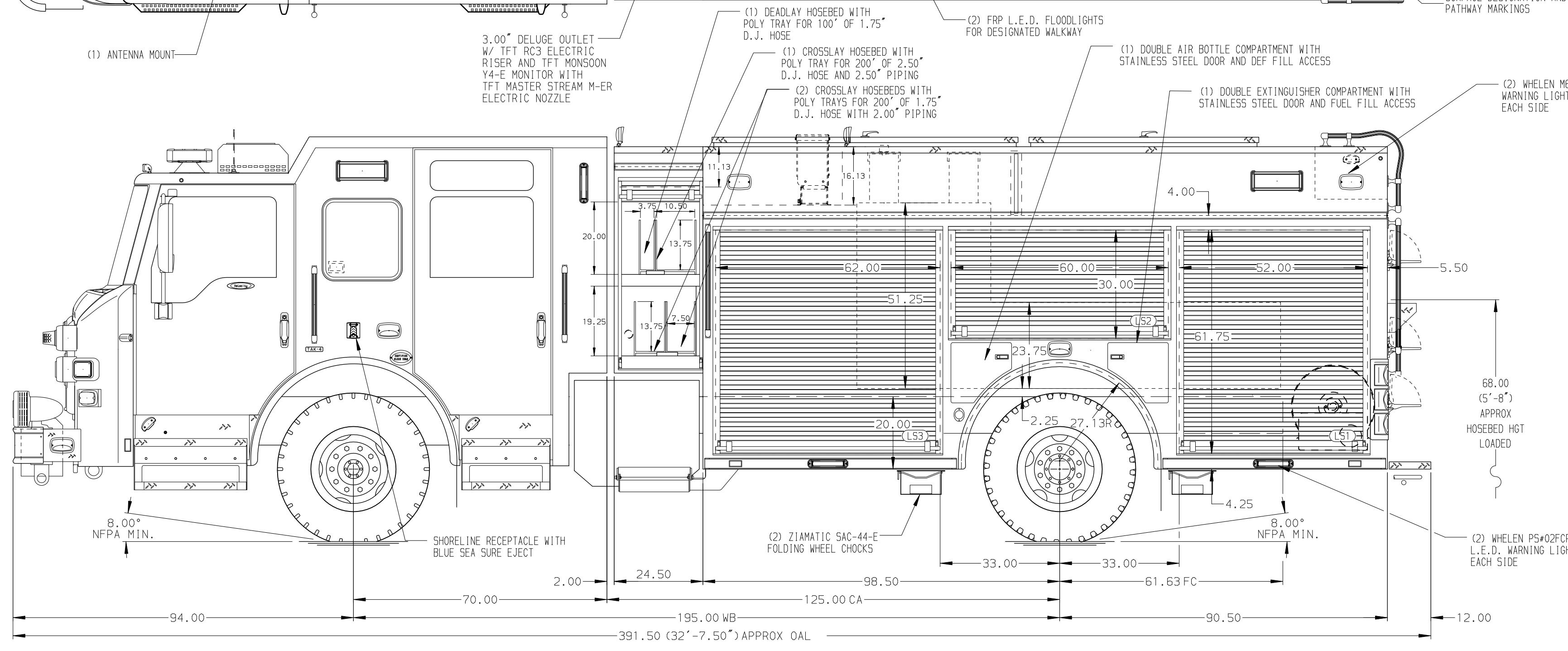


124.00
(10'-4")
APPROX
O.A.H.



- HOSEBED CAPACITIES
- ① 1000' OF 5.00" L.D. HOSE
 - ② 600' OF 3.00" D.J. HOSE
 - ③ 200' OF 2.25" KEY HOSE



ALUMINUM BODY SIDE ROLL AND FRONTAL IMPACT PROTECTION

NOTE
DIMENSIONS SHOWN ARE APPROXIMATE AND ARE SUBJECT TO MINOR DEVIATIONS AS MAY OCCUR OR BE NECESSARY IN CONSTRUCTION. MINOR DETAILS NOT SHOWN.

- 1. INVERTER/BATTERY CHARGER LOCATED IN COMPARTMENT L53
- 2. BATTERY CHARGER INDICATOR BEHIND DRIVER'S SEAT DISPLAYED THROUGH WINDOW
- 3. DUAL L.E.D. LIGHT STRIPS LOCATED IN HOSE BED
- 4. AIR INLET IN DRIVER SIDE STEP WELL

REV	DATE	BY	CH	VELOCITY FR
1	12SEP25	JAM	GKH	
2	09SEP25	JAM	SJS	
3	14AUG25	JAM	GKH	
4	05JUN25	JAM	KLH	

		JOB NO.	40246
		SCALE	DATE
CHASSIS DATA TITLE FOR	1500 GPM, 520G TANK, 500G WATER, 20G FOAM 189" PUC PUMPER, MUX	DRAWN BY	JAM
	ADAMS COUNTY FIRE RESCUE DENVER, COLORADO	CHECKED BY	KLH
DWG NO.	40246AD	SHEET SIZE	SHEET NO.
		D	1 OF 1