

PUMPER BODY

Medium Aluminum 2nd Gen Pumper

CHASSIS

Enforcer Chassis

CHASSIS AXLE, FRONT, CUSTOM

20,000 Lb Meritor MFS-20 Axle

AXLE, REAR

27,000 Lb Meritor R526-185 Axle

ENGINE

450 HP Cummins L9 Engine

TRANSMISSION

Allison 6th Gen, 3000 EVS PR

BUMPER

10" Extended Painted Steel

CAB

6010 Enforcer Cab

BODY

TOTAL TANK CAPACITY

750 Gallon New York Style Poly Tank

WATER CAPACITY

750 Gallons of Water

FOAM CELL

Foam Cell Not Required

COMPT, PUMPER, REAR

30.75" FF RollUp Rear Compt

COMPT, PUMPER, LEFT SIDE

152" RollUp Full Height Front & Rear FDLER

COMPT, PUMPER, RIGHT SIDE

152" RollUp Full Height Front & Rear FDLER

FIRE SUPPRESSION PUMPHOUSE

45" Control Zone Side Mount

PUMP

1500 GPM OTWO-150 Hole

CROSSLAYS, 1.50"

(2) 1.50" Standard Capacity

CROSSLAYS, 2.50"

2.50" Crosslay Not Required

SPEEDLAYS

SpeedLays Not Required

GENERATOR

Generator Not Required

FOAM SYSTEM

Foam System Not Required

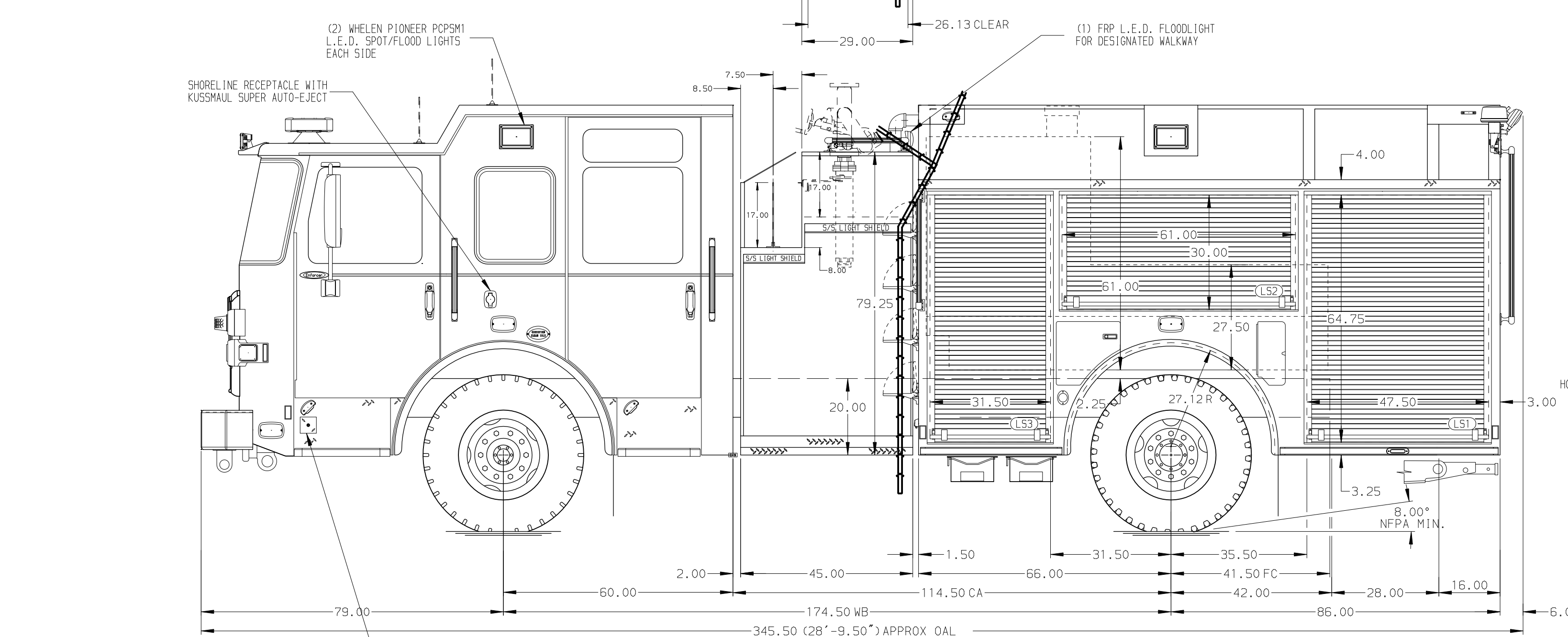
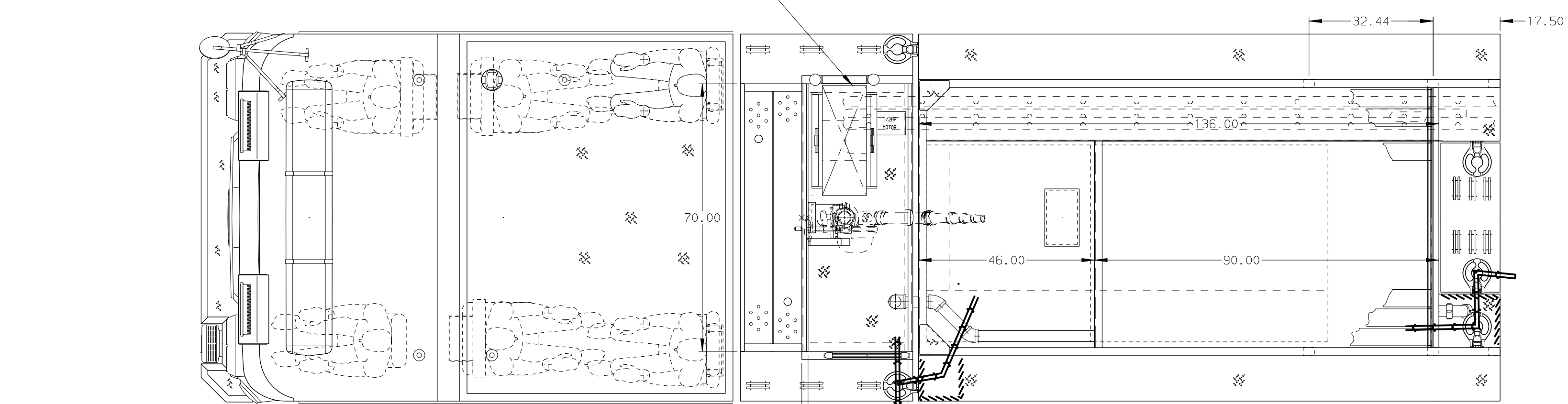
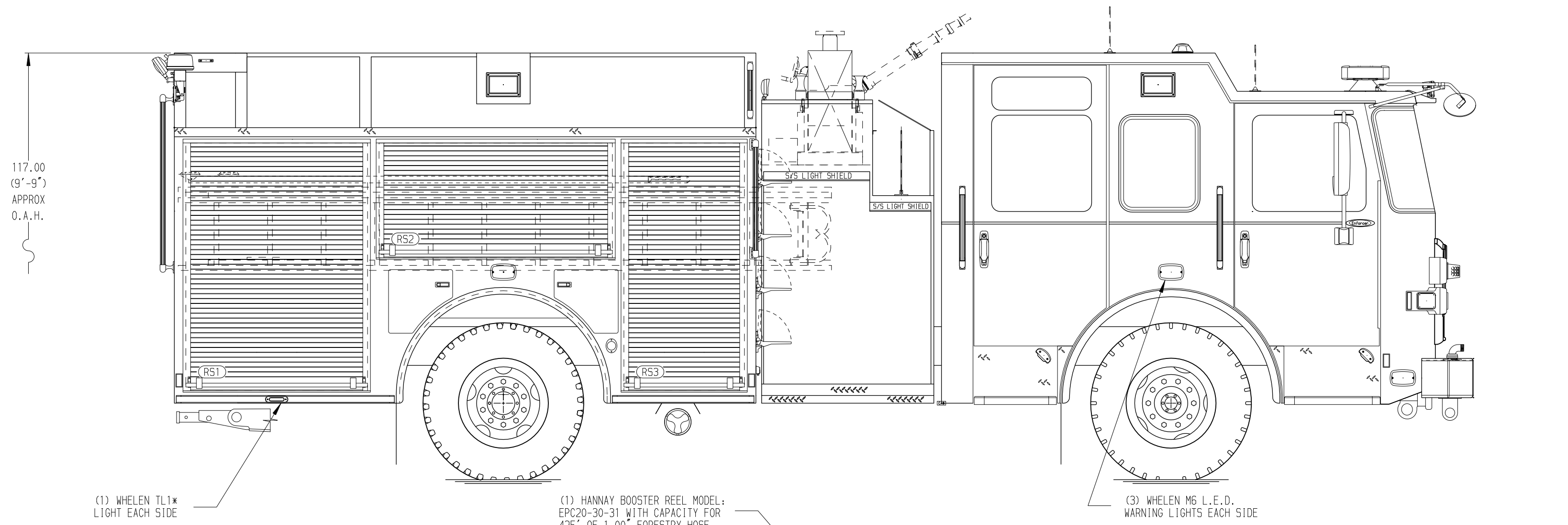
SAFETY

Side Roll and Frontal Impact Protection

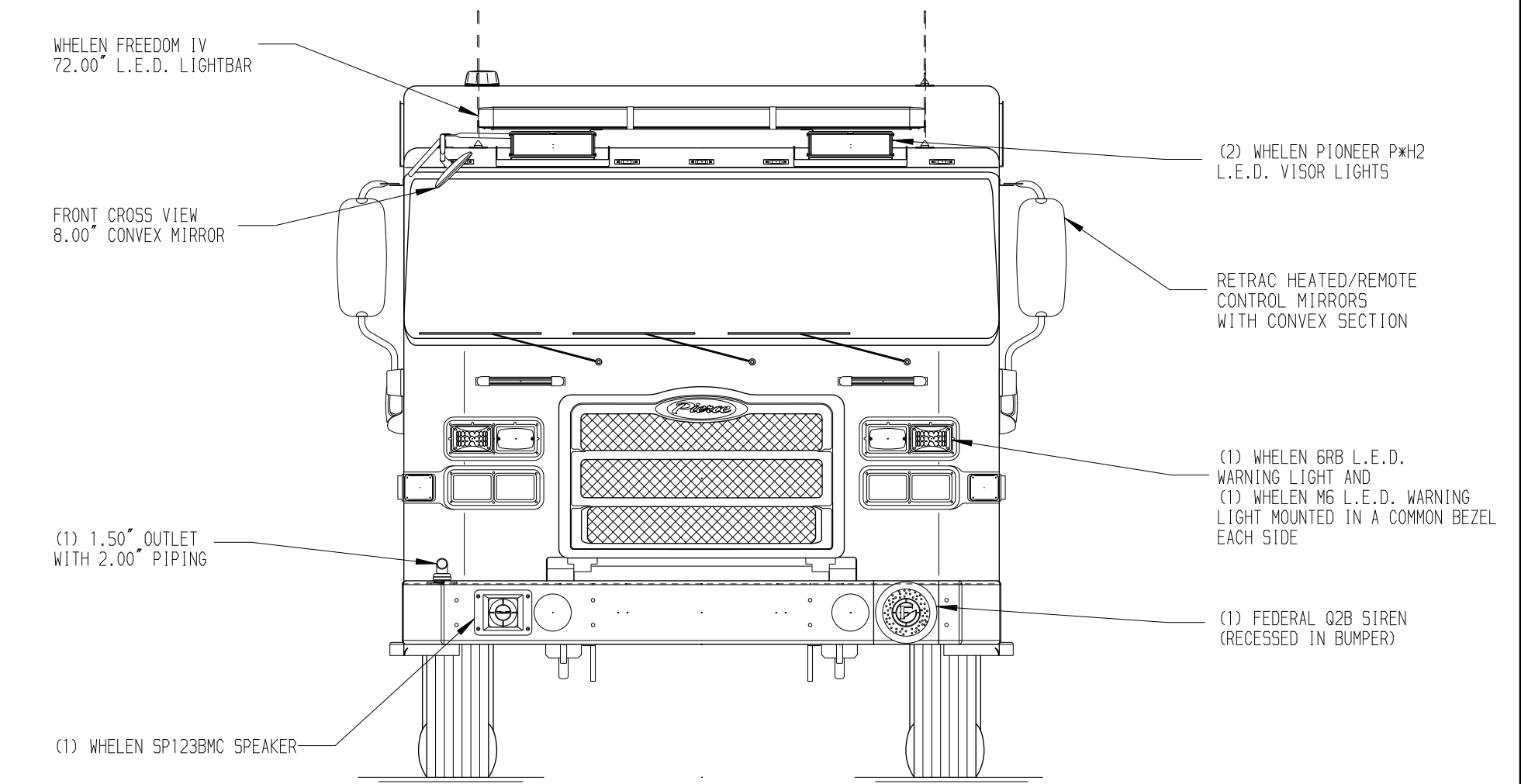
NOTE

DIMENSIONS SHOWN ARE APPROXIMATE AND ARE SUBJECT TO MINOR DEVIATIONS AS MAY OCCUR OR BE NECESSARY IN CONSTRUCTION. MINOR DETAILS NOT SHOWN.

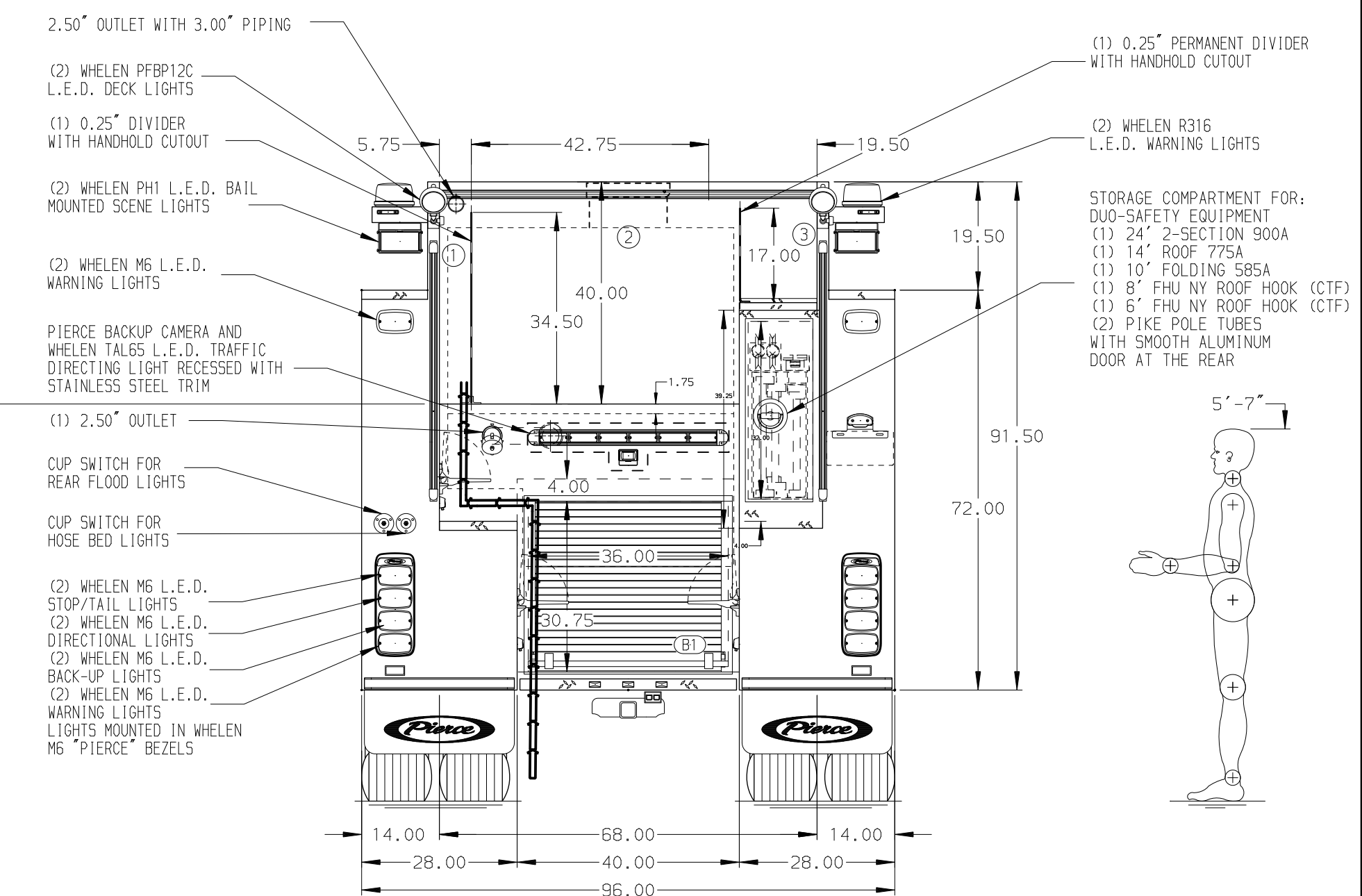
- KUSSMAUL BATTERY CHARGER LOCATED PER SHOP ORDER
- BATTERY CHARGER MOUNTED BEHIND DRIVER'S SEAT
- BATTERY CHARGER INDICATOR LOCATED ON DRIVER'S SEAT RISER
- DUAL L.E.D. LIGHT STRIPS LOCATED IN HOSE BED
- DRIP PAN GUARD FOR ROLL-UP DOORS LOCATED PER SHOP ORDER
- ONSPOT AUTOMATIC TIRE CHAINS PROVIDED AT THE REAR
- SIX SHELVES LOCATED IN COMPARTMENTS PER SHOP ORDER



MAXIMUM O.A.H. 117.00"



HOSEBED CAPACITY	
BED 1	200' OF 2.50\" D.J. POLY HOSE
BED 2	1500' OF 5.00\" D.J. POLY HOSE
BED 3	650' OF 2.50\" D.J. POLY HOSE



Pierce MANUFACTURING INC.		JOB NO.	40700
		SCALE	DATE
		1:24	
TITLE		Pierce Pumper Approval Drawing	DRAWN BY
FOR		Fairfield Fire Department	BTH
CHECKED BY		MMF	090CT24
SHEET SIZE		D	SHEET NO.
DWG NO.		40700AD	1 OF 1

REV	DATE	BY	CH	ENFORCER
06JAN25	BTH	DTJ		MAKE
20DEC24	BTH	DTJ		PIERCE
04DEC24	BTH	DTJ		MODEL