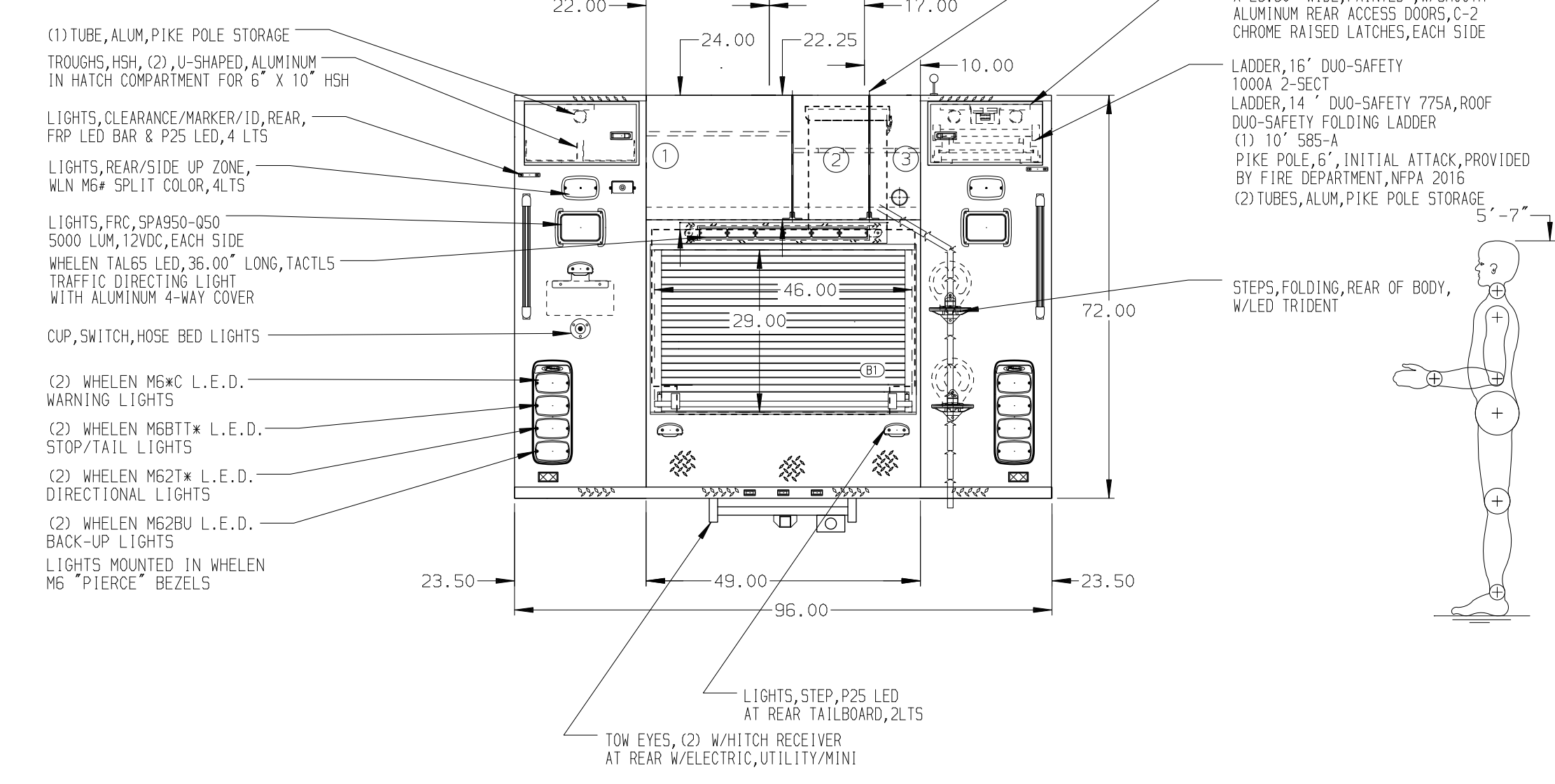
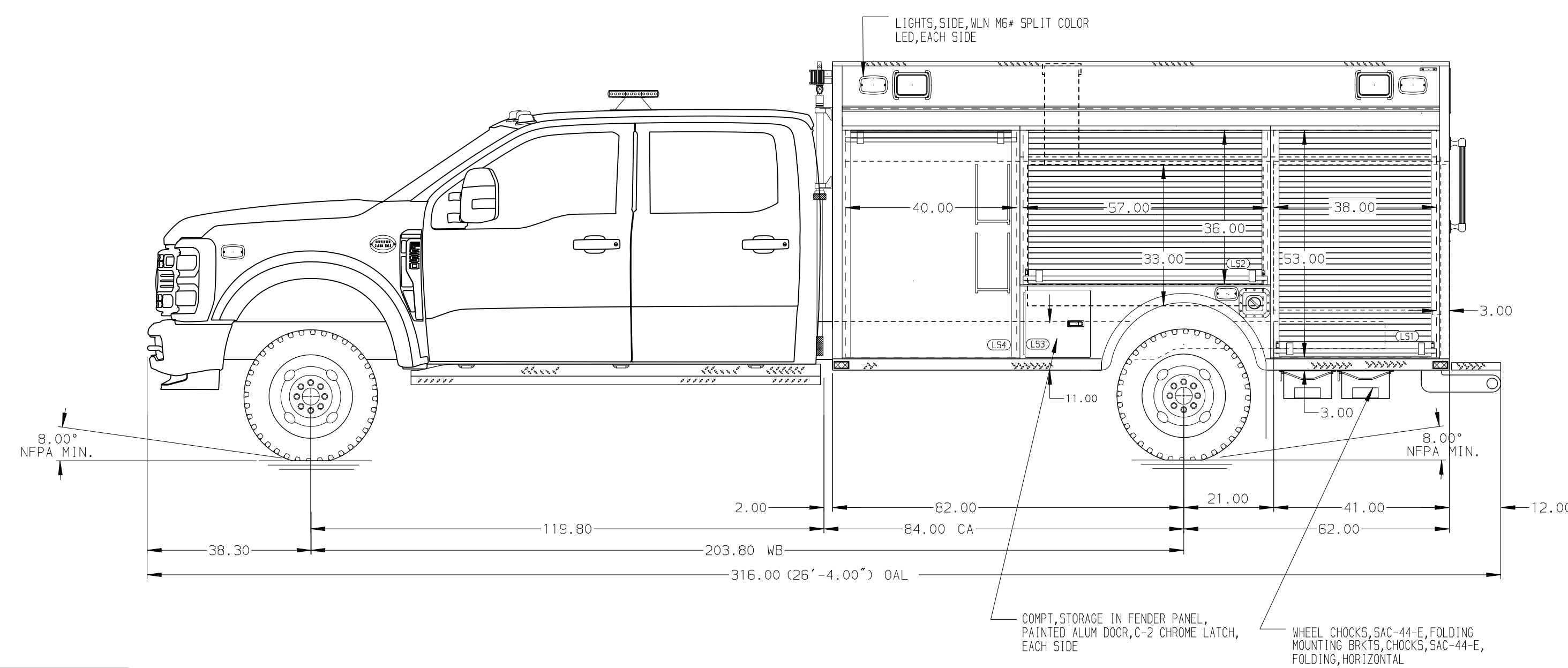


- HOSEBED CAPACITIES**
- ① 500' OF 4.00" D.J. POLYESTER HOSE
 - ② 300' OF 2.50" D.J. POLYESTER HOSE
 - ③ 200' OF 2.50" D.J. POLYESTER HOSE



ALUMINUM BODY

NOTE
DIMENSIONS SHOWN ARE APPROXIMATE AND ARE SUBJECT TO MINOR DEVIATIONS AS MAY OCCUR OR BE NECESSARY IN CONSTRUCTION. MINOR DETAILS NOT SHOWN.

MANUFACTURING INC. BRADENTON, FLORIDA		JOB NO.	40755
		DATE	24MAR25
TITLE 1500-D-300 POLY, 84"CA, MINI PUMPER BODY (2) SPEEDLAYS FOR WALKER FIRE DEPARTMENT WALKER, IA		SCALE	1:24
		DRAWN BY	RHU
REV. 21AUG25 ADP CCS 30MAY25 RHU CCS DATE BY CHK'D		CHK'D BY	AJA
		SHEET NO.	1 OF 1
DRWG. NO. 40755AD		SHEET SIZE	D