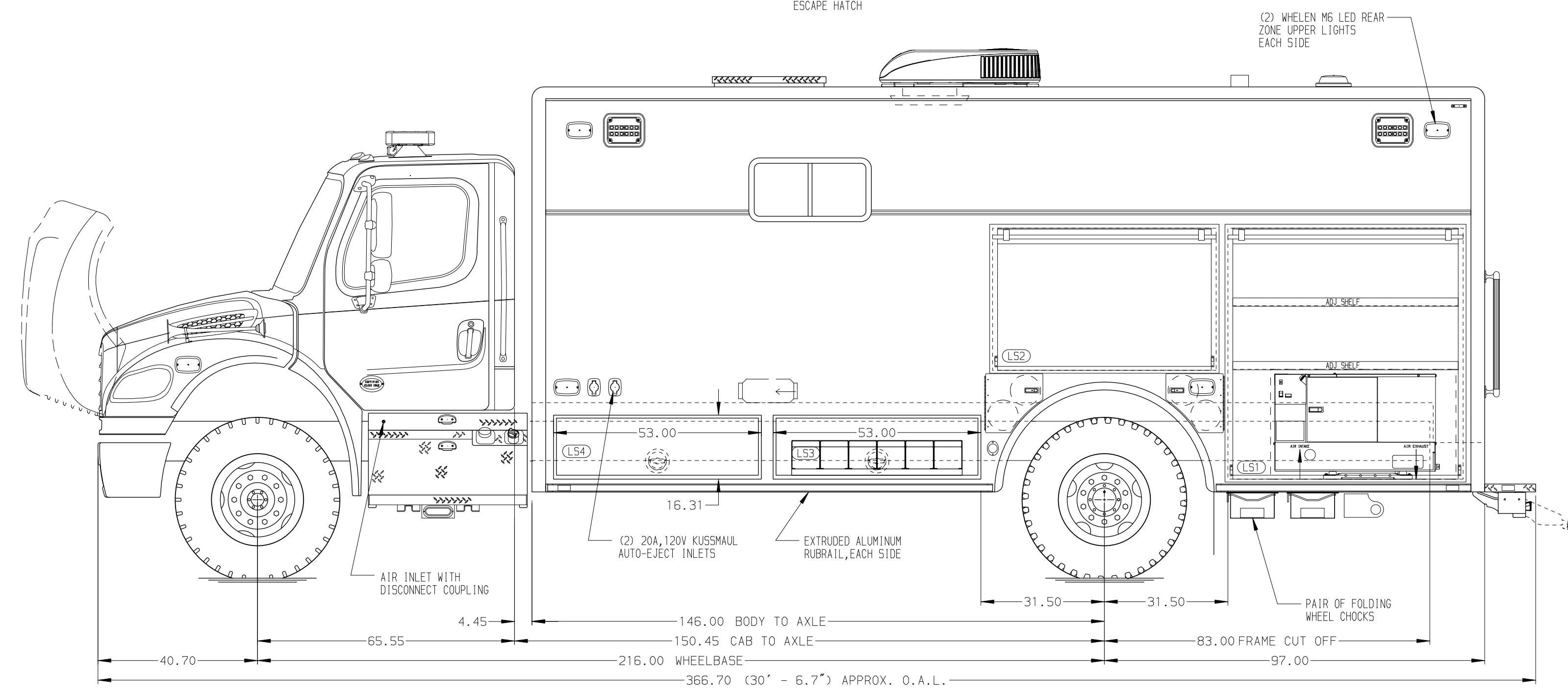
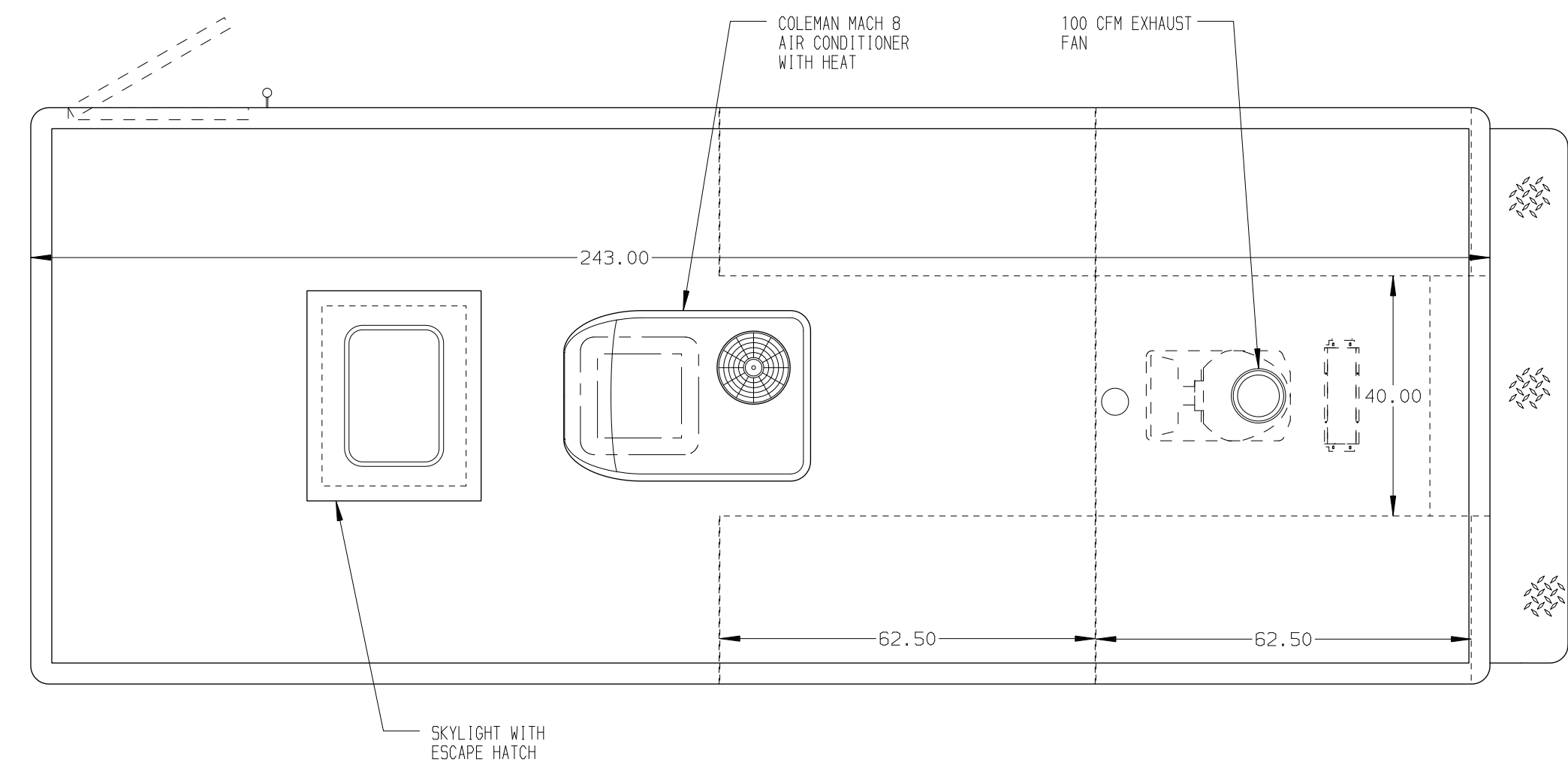
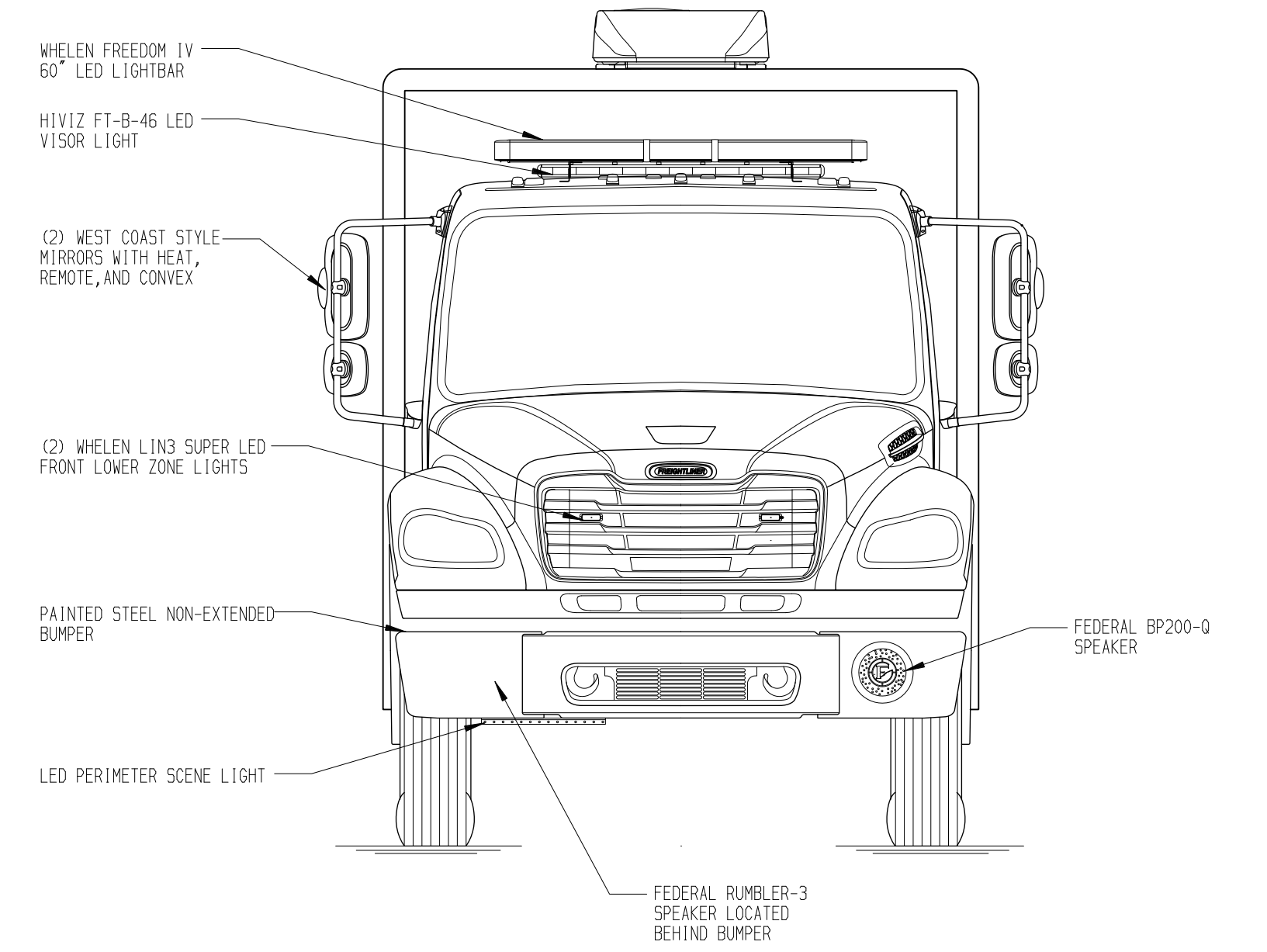
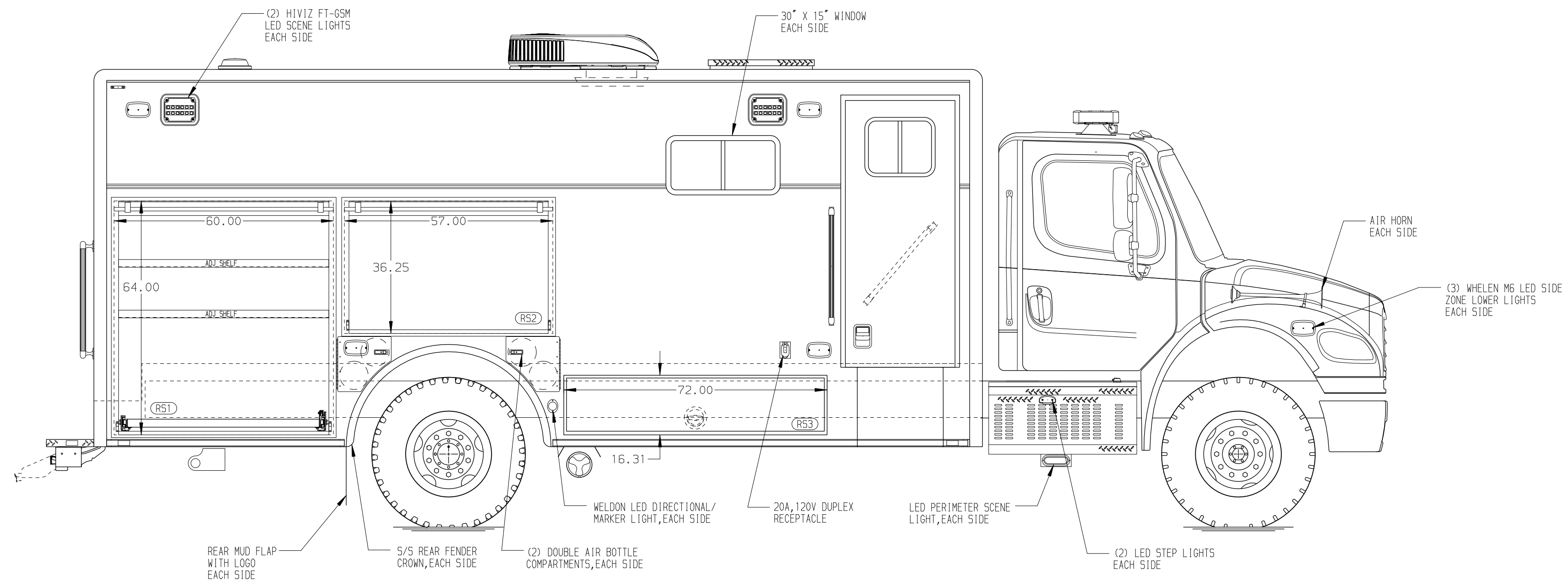


RIGHT SIDE COMPARTMENTS CONTAIN THE FOLLOWING:

COMPARTMENT RS1 CONTAINS:  
 - (2) STD DEPTH ADJ SHELVES  
 - (1) STD DEPTH FLOOR MOUNTED TRAY WITH SIDE SLIDES  
 -

COMPARTMENT RS2 CONTAINS:  
 -

COMPARTMENT RS3 CONTAINS:  
 -



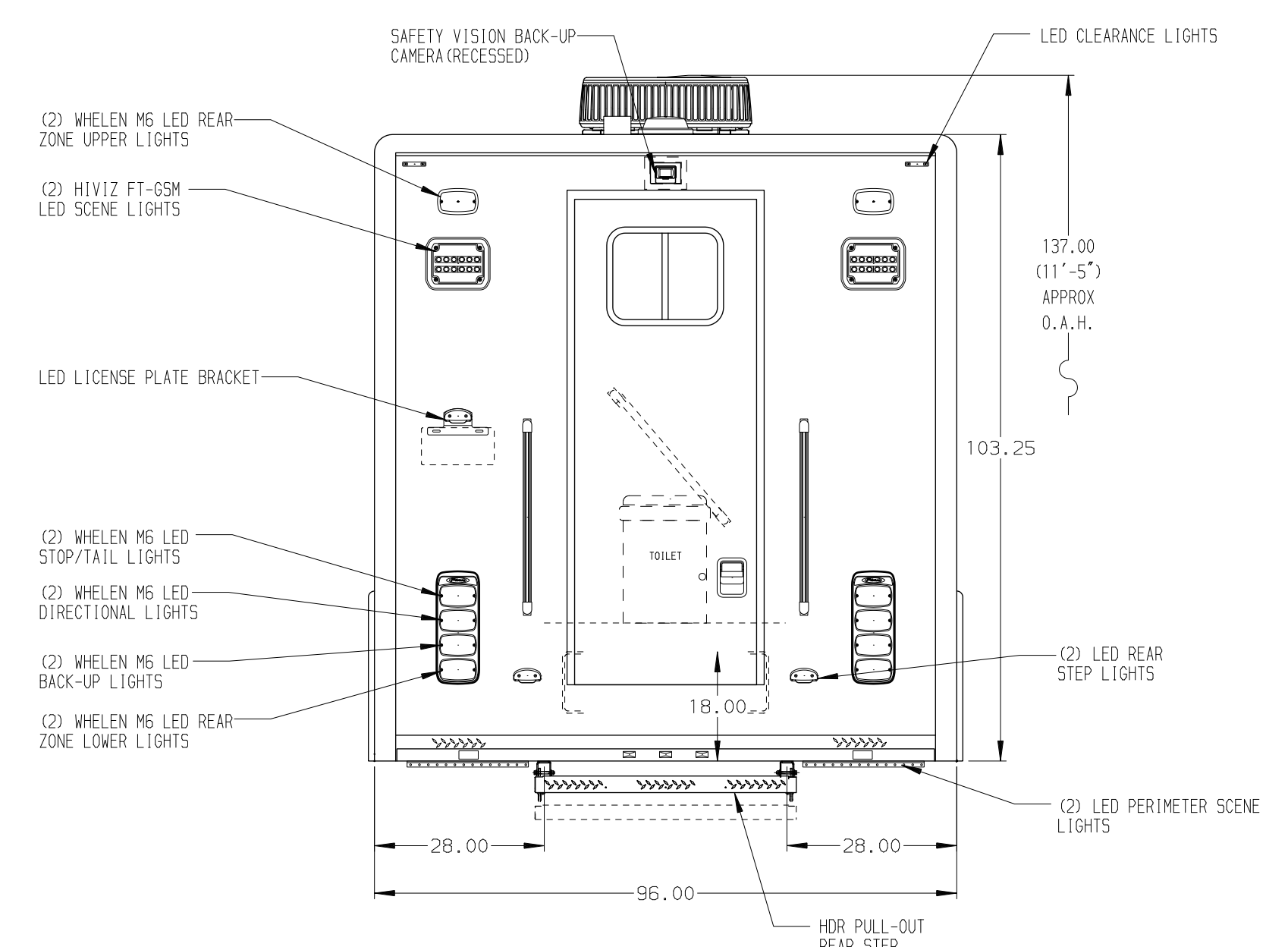
LEFT SIDE COMPARTMENTS CONTAIN THE FOLLOWING:

COMPARTMENT LS1 CONTAINS:  
 - (2) STD DEPTH ADJ SHELVES  
 - (1) ONAN 12KW QUIET DIESEL GENERATOR  
 -

COMPARTMENT LS2 CONTAINS:  
 -

COMPARTMENT LS3 CONTAINS:  
 - (1) REMOVABLE RACK FOR 6 SCBA BOTTLES (7'x7')  
 -

COMPARTMENT LS4 CONTAINS:  
 -



NOTE:  
 LAP DOORS HAVE BEEN SHOWN IN HIDDEN LINES TO CLEARLY IDENTIFY THE EQUIPMENT IN EACH COMPARTMENT. DASHED LINES ON SIDES ARE DOORS IN OPEN POSITION

NOTE  
 DIMENSIONS SHOWN ARE APPROXIMATE AND ARE SUBJECT TO MINOR DEVIATIONS AS MAY OCCUR OR BE NECESSARY IN CONSTRUCTION. MINOR DETAILS NOT SHOWN.

NOTES: 1. PIERCE LED LIGHT STRIPS IN ALL BODY COMPARTMENT

CLEAR DOOR WIDTH KEY		CHASSIS DATA	
AMDR ROLL UP DOORS:	-2 1/4"	MAKE	
CORTITE ROLL UP DOORS:	-2 1/2"	MODEL	M2-106
PIERCE DOUBLE LAP DOORS:	-4 1/4"	REV	
PIERCE LIFT-UP LAP DOORS:	-1 1/2"	DATE	
(EX: 60" F-F - 2 1/4" = 57 3/4" CLEAR)		BY	
(F-F) = FRAME TO FRAME		CH	

		JOB NO.	40807
		SCALE	DATE
TITLE	HEAVY DUTY RESCUE COMBO WALK-IN / NON WALK-IN	DRAWN BY	DHE 27NOV24
FOR	WINNIPEG FIRE DEPARTMENT COMMERCIAL EMERGENCY EQUIPMENT MITCHELL MESENCHUB	CHECKED BY	GF1 02DEC24
DWG NO.	40807AD-SH1	SHEET SIZE	SHEET NO.
		D	1 OF 1