

**PUMPER, PUC**  
**BODY**  
 Pumper, Medium, Aluminum  
**CHASSIS**  
 Enforcer Chassis  
**ELECTRICAL SYSTEM**  
 MUX

**CHASSIS**  
 AXLE, FRONT, CUSTOM  
 19,500 Lb TAK-4 Axle  
 AXLE, REAR  
 27,000 Lb Meritor Axle  
**ENGINE**  
 510 HP Paccar MX13 Engine  
**TRANSMISSION**  
 Allison 6th Gen, 4000 EVS P  
**BUMPER**  
 13" Extended Stainless Steel  
**CAB**  
 7010 Enforcer Cab

**BODY**  
**TOTAL TANK CAPACITY**  
 780 Gallon Medium New York Style Poly Tank  
**WATER CAPACITY**  
 750 Gallons of Water  
**FOAM CELL CAPACITY**  
 30 Gallon Foam Cell  
**COMPT, PUMPER, REAR**  
 30.75" FF Double Door  
**COMPT, PUMPER, LEFT SIDE**  
 152" Lap, Full Height Front & Rear FOLER  
**COMPT, PUMPER, RIGHT SIDE**  
 152" Lap, Full Height Front & Rear FOLER

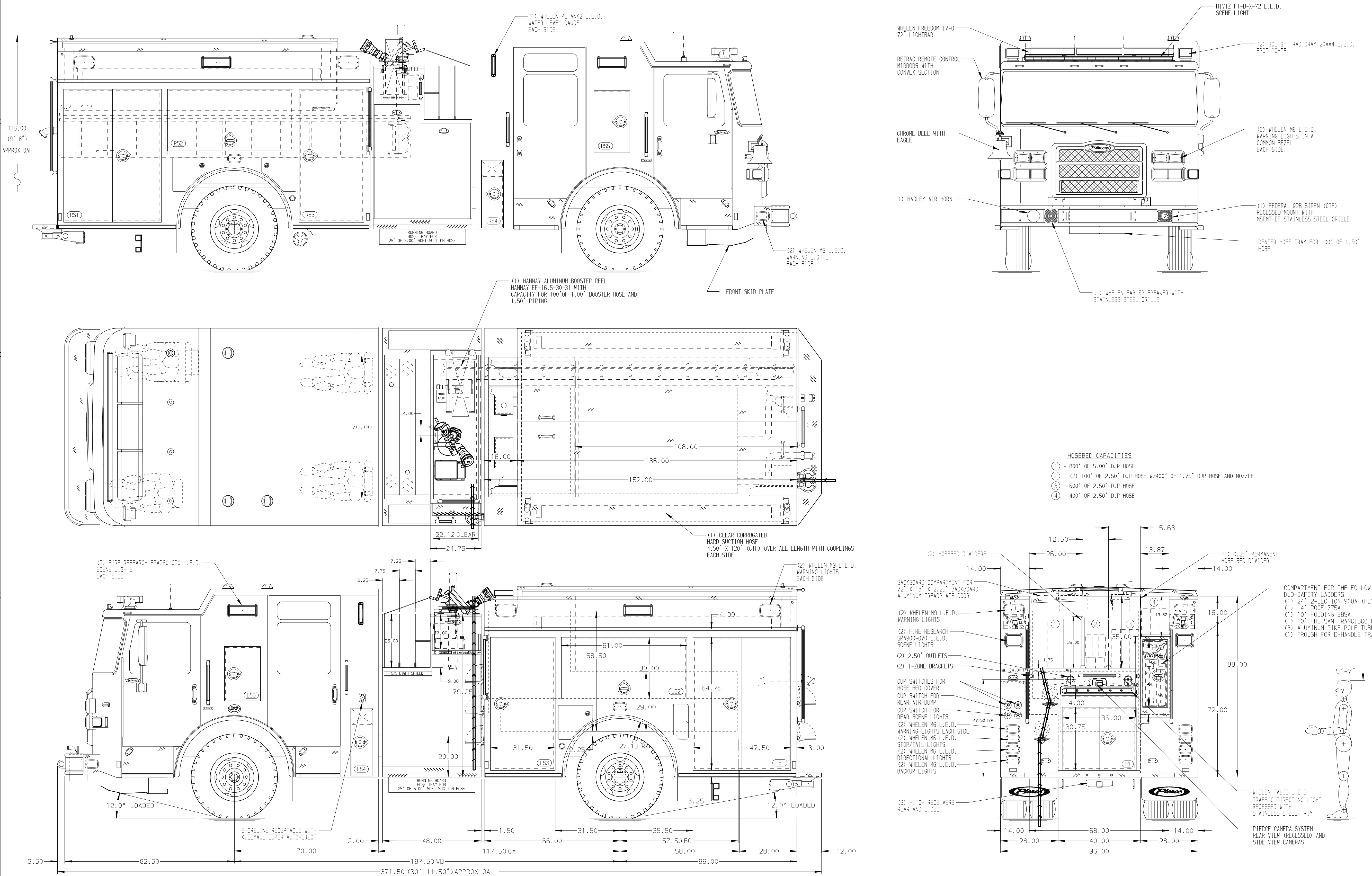
**FIRE SUPPRESSION**  
**PUMPHOUSE**  
 48" Side Control  
**PUMP**  
 1500 GPM Waterous CMU  
**CROSSLAYS, 1.50"**  
 (2) 1.50", Std. Cap  
**DEADLAYS, 1.50"**  
 (1) 1.50", 200' OF 1.75" HOSE  
**SPEEDLAYS**  
**GENERATOR**  
 Generator Not Required  
**FOAM SYSTEM**  
 Husky 3 Single Agent Foam System

**SAFETY**  
 Side Roll and Frontal Impact Protection

**NOTE**  
 DIMENSIONS SHOWN ARE APPROXIMATE AND ARE SUBJECT TO MINOR DEVIATIONS AS MAY OCCUR OR BE NECESSARY IN CONSTRUCTION. MINOR DETAILS NOT SHOWN.

- AIR INLET/OUTLET WITH DISCONNECT LOCATED AT DRIVER'S SIDE PUMP PANEL
- BATTERY CHARGER MOUNTED BEHIND DRIVER'S SEAT
- BATTERY CHARGER INDICATOR LOCATED ON DRIVER'S SEAT RISER
- REMOTE AIR TANK DRAIN UNDER DRIVER'S COMPARTMENT L53
- WHEEL CHECKS AND BRACKETS (CTF)
- 1.50" OUTLET W/ 2.00" PLUMBING ON TOP OF THE LEFT SIDE OF THE BUMPER
- EIGHT ADJUSTABLE SHELVES LOCATED PER ORDER
- ONE ADJUSTABLE LOW SIDE HEIGHT SHELF LOCATED PER ORDER
- ONE ADJUSTABLE SPECIAL SIDE HEIGHT LOCATED PER ORDER
- TWO ADJUSTABLE SLIDE-OUT TRAYS LOCATED PER ORDER

- ONE PARTITION BETWEEN L51/B1 AND R51/B1
- TWO VERTICAL PARTITIONS LOCATED PER ORDER
- ALUMINUM PEGBOARD MOUNTED ON THE BACKWALL LOCATED PER ORDER
- ALUMINUM TOOLBOARD MOUNTED ON THE BACKWALL LOCATED PER ORDER
- SHORELINE RECEPTACLE WITH KUSSMAUL SUPER AUTO-EJECT LOCATED REAR OF DRIVER'S SIDE CREW CAB DOORS



- HOSEBED CAPACITIES**
- 800' OF 5.00" DJP HOSE
  - (2) 100' OF 2.50" DJP HOSE W/400' OF 1.75" DJP HOSE AND NOZZLE
  - 600' OF 2.50" DJP HOSE
  - 400' OF 2.50" DJP HOSE

MAXIMUM O.A.H. 118.00"

|                                   |  |         |            |
|-----------------------------------|--|---------|------------|
|                                   |  | JOB NO. | 41020      |
|                                   |  | SCALE   | DATE       |
|                                   |  | 1:24    |            |
| TITLE                             |  | PIERCE  | DRAWN BY   |
| Pierce Pumper Approval Drawing    |  | LST     | 19MAY25    |
| FOR                               |  | MMF     | CHECKED BY |
| Woodside Fire Protection District |  |         | 21MAY25    |
| DWG NO.                           |  | D       | SHEET SIZE |
| 41020AD                           |  |         | SHEET NO.  |
|                                   |  |         | 1 OF 1     |

| REV | DATE    | BY  | CH  | ENFORCER |
|-----|---------|-----|-----|----------|
| 1   | 15SEP25 | LST | TDC | MAKE     |
| 2   | 05AUG25 | LST | TDC | PIERCE   |
| 3   | 14JUL25 | LST | TDC | MODEL    |