

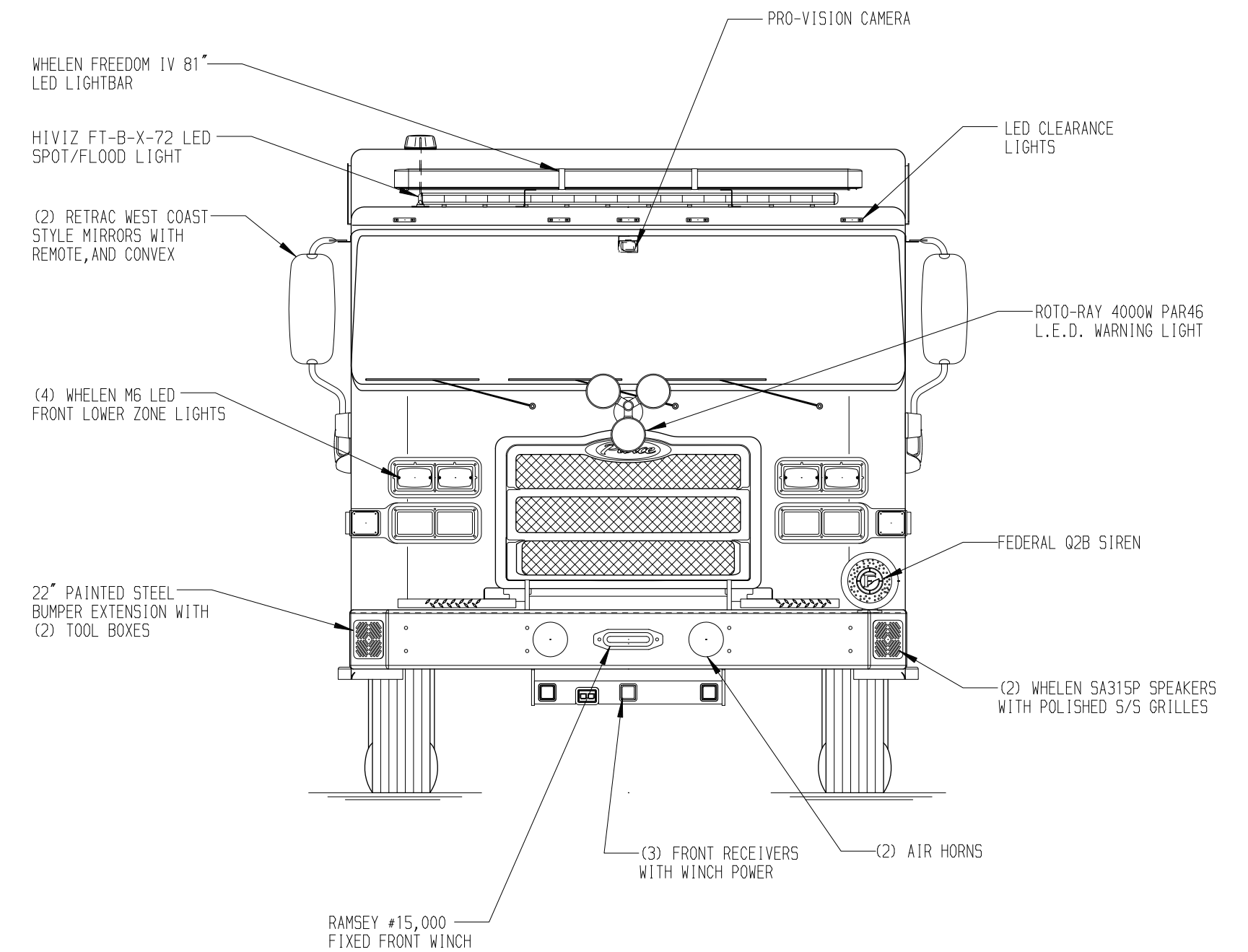
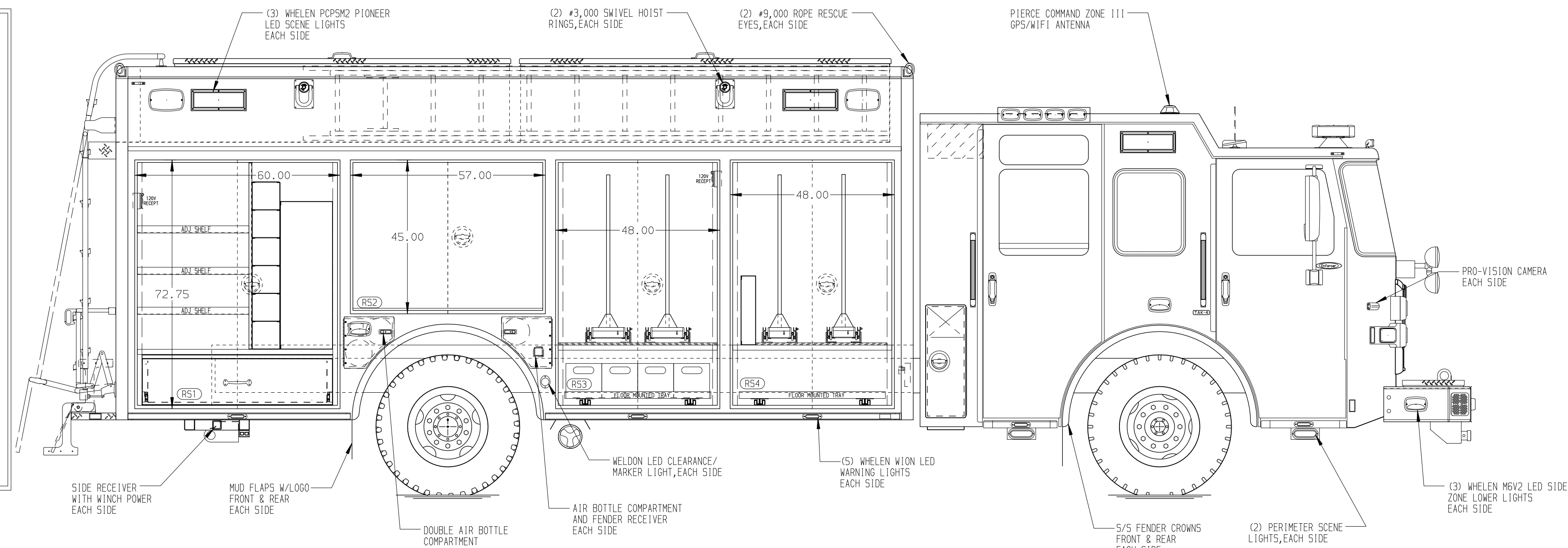
**RIGHT SIDE COMPARTMENTS CONTAIN THE FOLLOWING:**

- COMPARTMENT RS1 CONTAINS:  
 - (1) TROUGH FOR AIR BAG EQUIPMENT  
 - (3) STD DEPTH ADJ SHELVES  
 - (1) SLIDE OUT TOOL DRAWER  
 - (1) VERTICAL COMPARTMENT DIVIDER  
 - (1) RACK FOR SIX AIR BOTTLES (8 X 8)  
 - (1) HORIZONTAL FLOOR EXTENSION  
 - (1) 15/20A, 120V DUPLEX RECEPTACLE

- COMPARTMENT RS2 CONTAINS:  
 - (1) SLANTED FLOOR

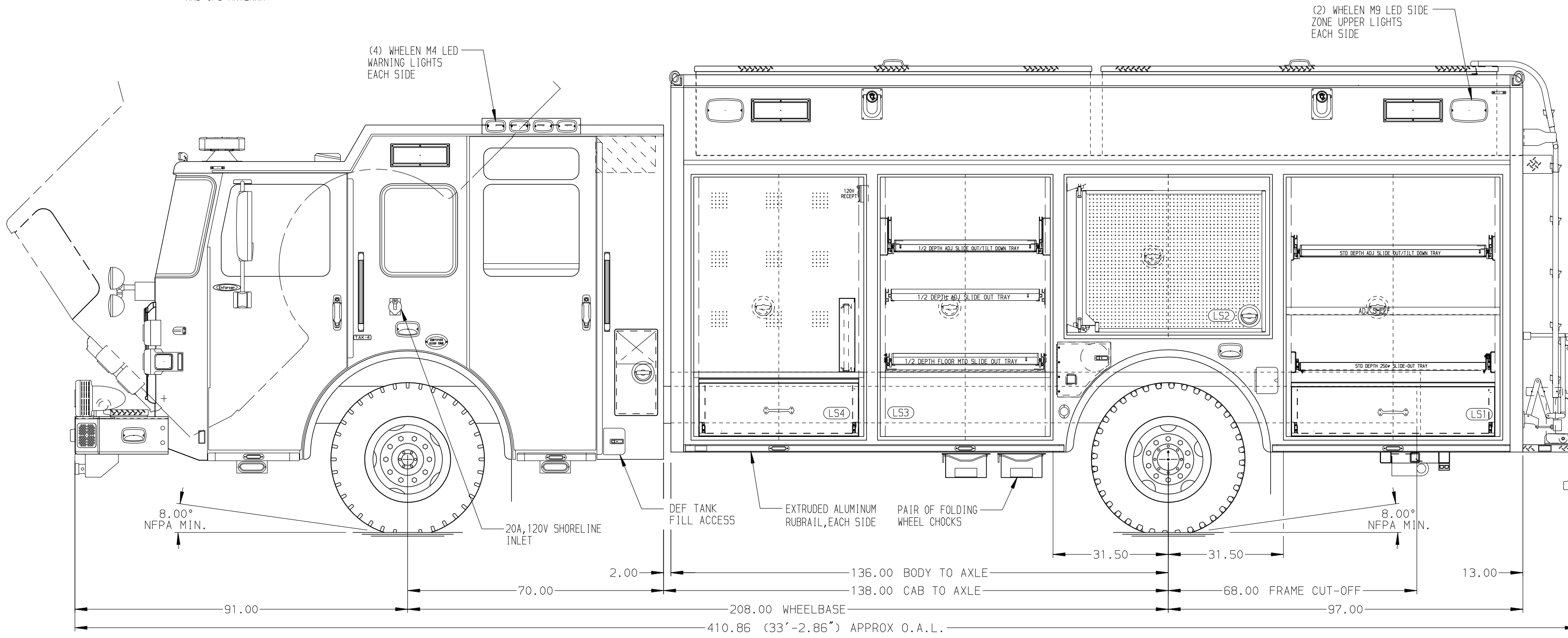
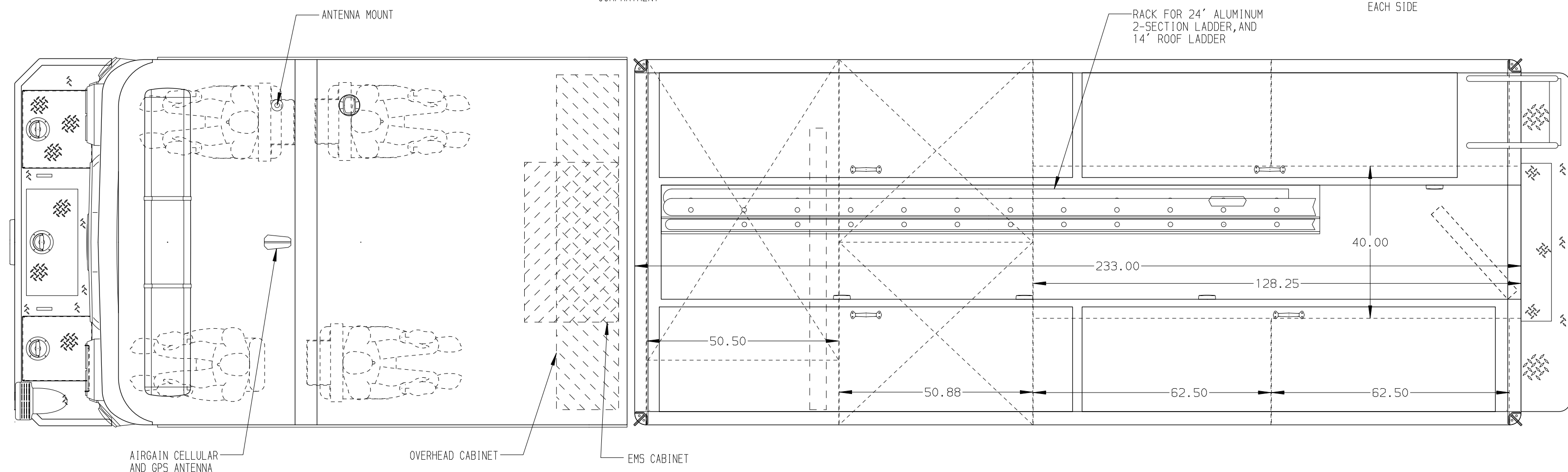
- COMPARTMENT RS3 CONTAINS:  
 - PEGBOARD ON LEFT AND RIGHT WALLS  
 - (2) 1/2 DEPTH ADJ SLIDE OUT TRAYS WITH TOOLBOARDS  
 - (1) HORIZONTAL FLOOR EXTENSION  
 - (1) FLOOR MOUNTED TRAY  
 - (1) VERTICAL REAR WALL DIVIDER  
 - (1) 15/20A, 120V DUPLEX RECEPTACLE  
 - (4) POLY TOOL BOXES

- COMPARTMENT RS4 CONTAINS:  
 - (1) CAB LIFT CONTROLLER  
 - (2) SPECIAL DEPTH ADJ SLIDE OUT TOOLBOARDS  
 - (1) FLOOR MOUNTED TRAY  
 - (1) HORIZONTAL FLOOR EXTENSION



**REAR COMPARTMENT CONTAINS THE FOLLOWING:**

COMPARTMENT B1 CONTAINS:  
 - (1) HORIZONTAL FLOOR EXTENSION  
 - (1) FLOOR MOUNTED TRAY  
 - (1) RACK FOR (4) 1/2\"/>



**LEFT SIDE COMPARTMENTS CONTAIN THE FOLLOWING:**

COMPARTMENT LS1 CONTAINS:  
 - (1) SLIDE OUT TOOL DRAWER  
 - (1) STD DEPTH ADJ SLIDE OUT TRAY  
 - (1) STD DEPTH ADJ SHELF  
 - (1) STD DEPTH ADJ SLIDE OUT/TILT TRAY

COMPARTMENT LS2 CONTAINS:  
 - (1) ADJ SWING OUT TOOLBOARD  
 - (1) PEGBOARD ON BACK WALL

COMPARTMENT LS3 CONTAINS:  
 - (1) 1/2 DEPTH ADJ SLIDE OUT FLOOR TRAY  
 - (1) 1/2 DEPTH ADJ SLIDE OUT TRAY  
 - (1) HORIZONTAL FLOOR EXTENSION  
 - (1) 1/2 DEPTH ADJ SLIDE OUT/TILT TRAY  
 - (1) VERTICAL REAR WALL DIVIDER

COMPARTMENT LS4 CONTAINS:  
 - (1) SLIDE OUT TOOL DRAWER  
 - (1) 15/20A, 120V DUPLEX RECEPTACLE  
 - (1) HORIZONTAL FLOOR EXTENSION  
 - (1) REAR WALL PEGBOARD DIVIDER  
 - (1) LADDER STORAGE TROUGH  
 - (1) MASTER SCENE LIGHT SWITCH

**NOTE**  
 DIMENSIONS SHOWN ARE APPROXIMATE AND ARE SUBJECT TO MINOR DEVIATIONS AS MAY OCCUR OR BE NECESSARY IN CONSTRUCTION. MINOR DETAILS NOT SHOWN.

- NOTES:**
- AIR INLET WITH DISCONNECT FITTING LOCATED IN DRIVER'S STEP WELL OF CAB
  - WARN #10,000 PORTABLE RECEIVER STYLE WINCH
  - POLISHED 5/5 SCUFFPLATES ON CAB AND CREW CAB DOOR JAMBS
  - FLOOR IN CAB AND CREW CAB TO BE PADDED RUBBER
  - STREAMLIGHT HANDLIGHTS LOCATED ON REAR OF ENGINE TUNNEL
  - KUSSMAUL CHIEF CHARGER LOCATED BEHIND THE DRIVER'S SEAT
  - (2) #9,000 RECEIVER STYLE ROPE ANCHORS
  - PIERCE LED STRIP LIGHTS IN ALL BODY AND HATCH COMPARTMENTS
  - (1) 15/20A, 120V DUPLEX RECEPTACLE IN CAB EMS CABINET

**NOTE:**  
 LAP DOORS HAVE BEEN SHOWN IN HIDDEN LINES TO CLEARLY IDENTIFY THE EQUIPMENT IN EACH COMPARTMENT. DASHED LINES ON SIDES ARE DOORS IN OPEN POSITION

CLEAR DOOR WIDTH KEY		CHASSIS DATA	TITLE
AMOR ROLL UP DOORS:	-2 1/4"	19AUG25	DHE AZU
CURTAIN ROLL UP DOORS:	-2 1/2"	13MAY25	DHE AZU
PIERCE DOUBLE LAP DOORS:	-4 1/4"	14MAR25	DHE GF1
PIERCE LIFT-UP LAP DOORS:	-3 1/2"		
(EX: 60\"/>			

		JOB NO.	41033
		SCALE	DATE
HEAVY DUTY RESCUE NON-WALKIN		DRAWN BY	DHE
ST. JOHNS FIRE DEPARTMENT		CHECKED BY	GF1
SPARTAN FIRE & EMERGENCY APPARATUS		BID #776	24JAN25
TREY COKER		SHEET SIZE	D
41033AD		SHEET NO.	1 OF 1