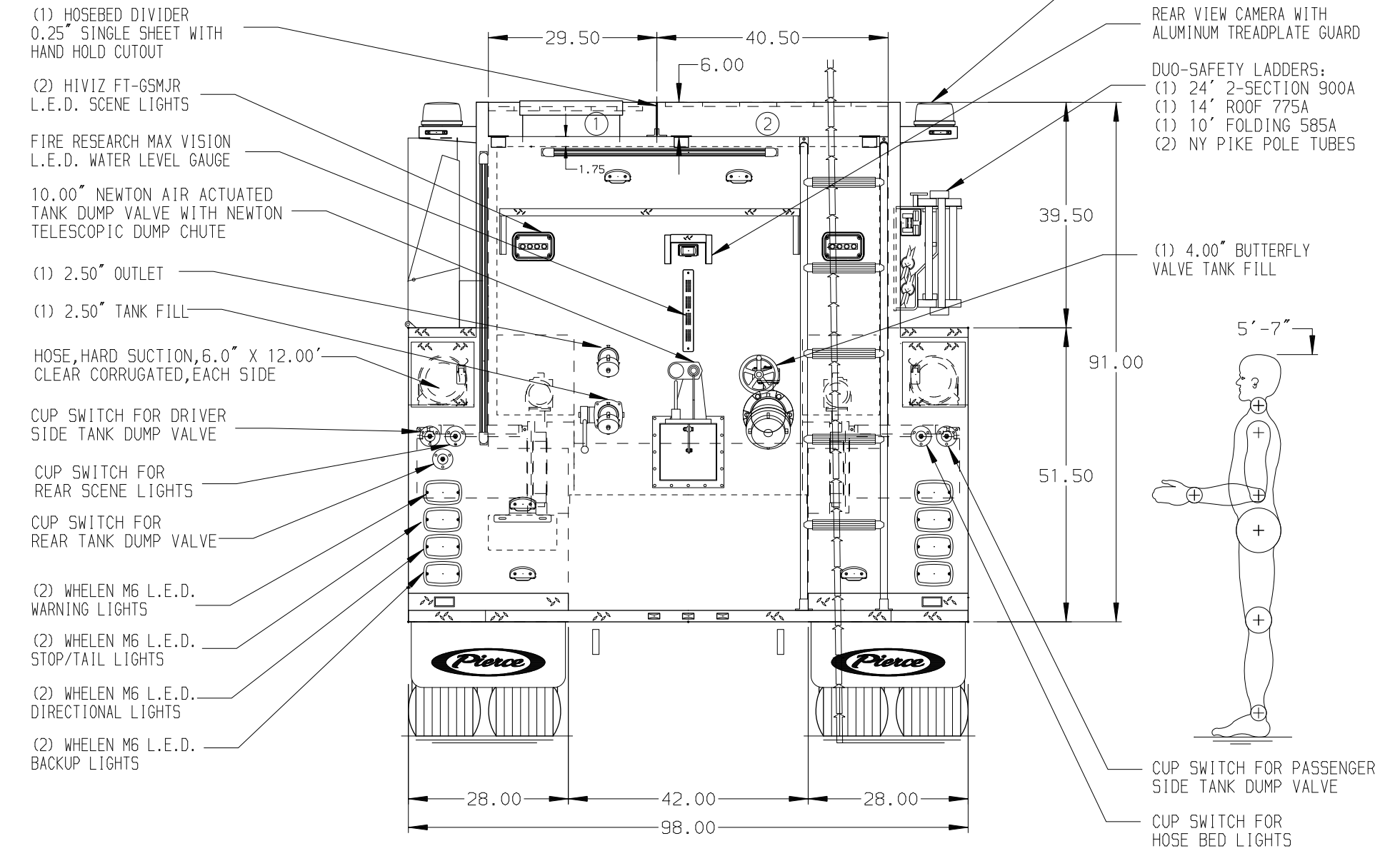
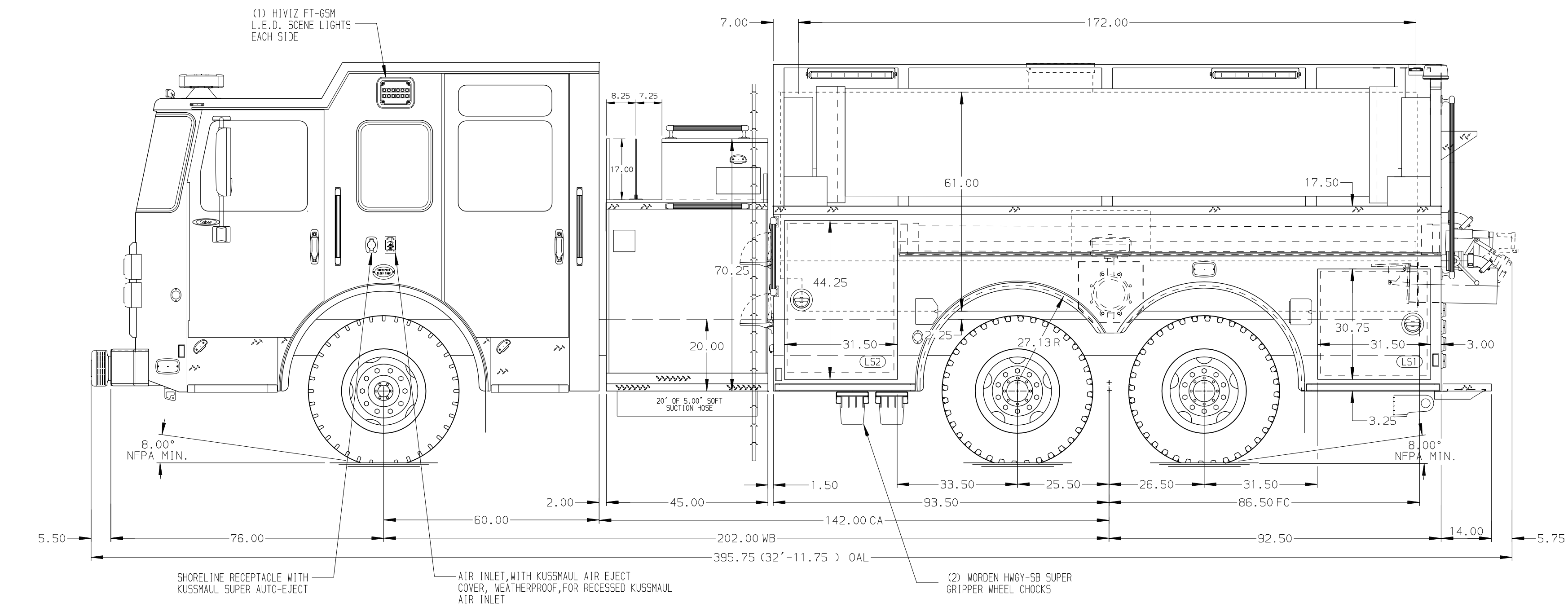


SURFACE DESIGNATION AND PATHWAY MARKINGS

- HOSEBED CAPACITIES
- ① - 400' OF 2.50\"/>



ALUMINUM BODY      MAXIMUM O.A.L. 396.00"      MAXIMUM O.A.H. 117.00"

**NOTE**  
DIMENSIONS SHOWN ARE APPROXIMATE AND ARE SUBJECT TO MINOR DEVIATIONS AS MAY OCCUR OR BE NECESSARY IN CONSTRUCTION. MINOR DETAILS NOT SHOWN.

REV	DATE	BY	CH	SABER FR
13MAY25	RHU	DDR		CHASSIS DATA
20MAR25	RHU	EEM		MAKE
03FEB25	ADP	EEM		PIERCE
13DEC24	KLE	SJS		MODEL

		JOB NO.	41069
		SCALE	DATE
<b>TITLE</b> 1250 GPM, 2500G WATER TANK 186" 2G DRY SIDE TANKER, HARD WIRED	<b>FOR</b> TOWNSHIP OF VERNON VERNON, NEW JERSEY	DRAWN BY	JJB
		CHECKED BY	SJS
<b>DWG NO.</b> 41069AD	<b>REV</b>	SHEET SIZE	D
		SHEET NO.	1 OF 1