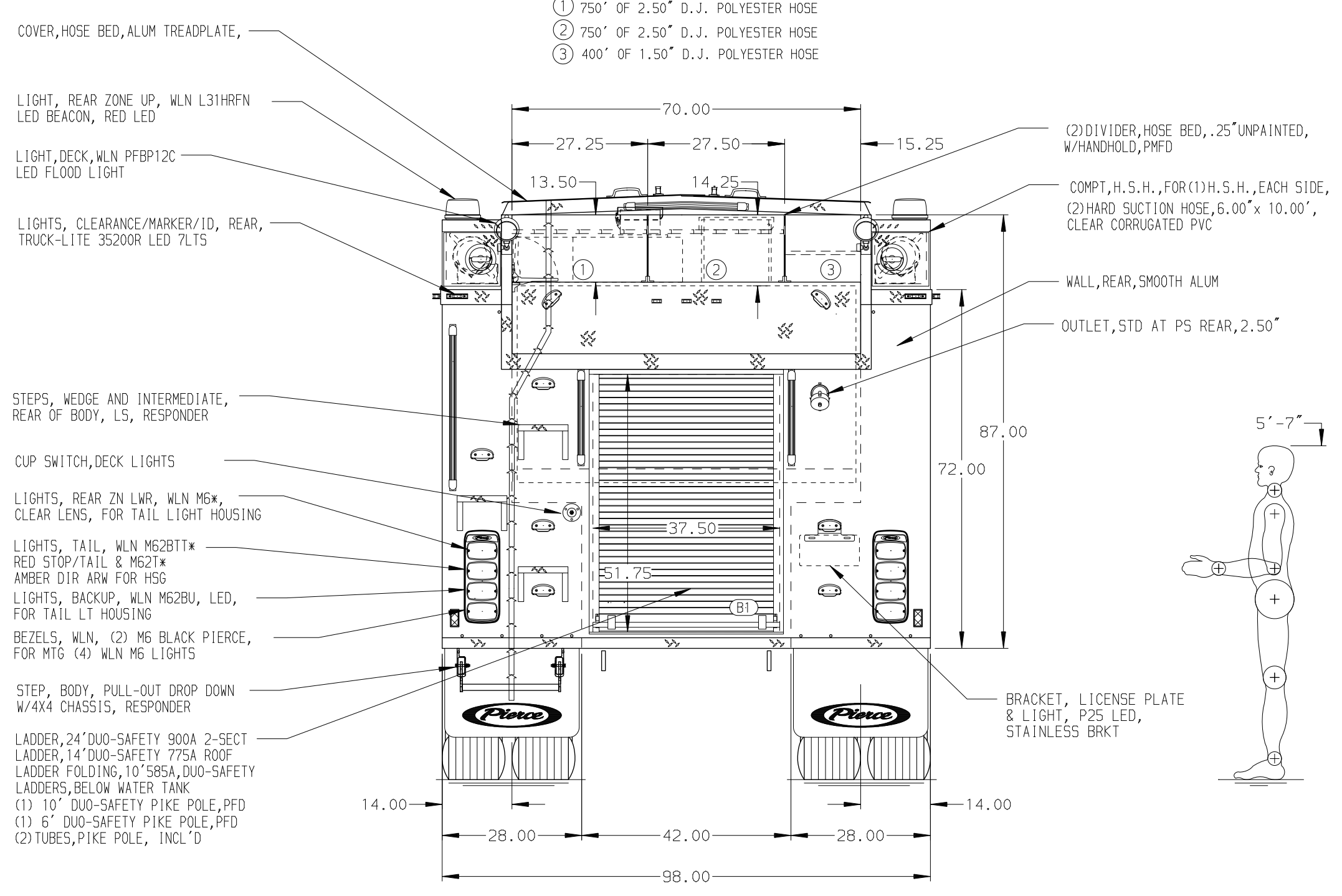
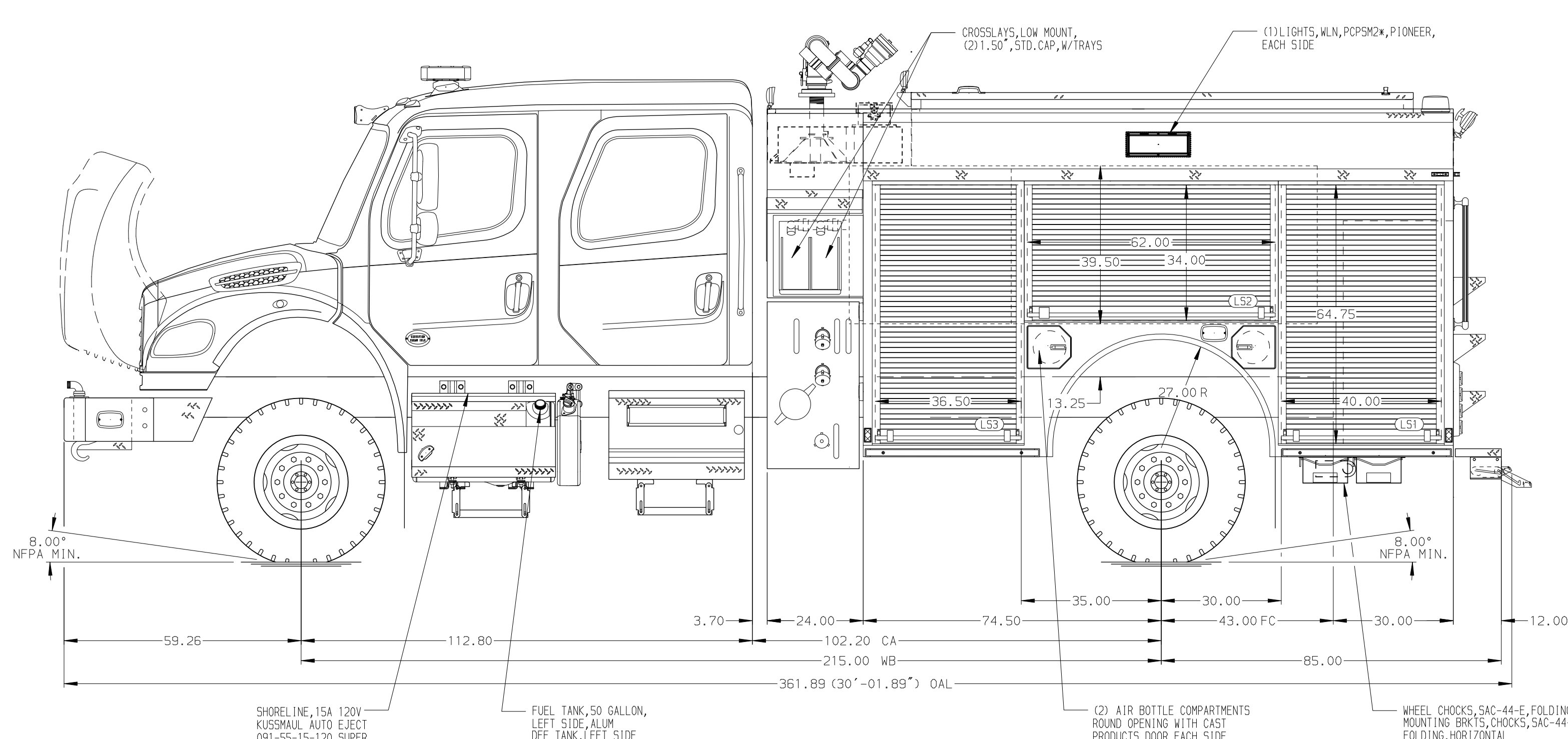


- HOSEBED CAPACITIES
- ① 750' OF 2.50" D.J. POLYESTER HOSE
  - ② 750' OF 2.50" D.J. POLYESTER HOSE
  - ③ 400' OF 1.50" D.J. POLYESTER HOSE



ALUMINUM BODY

NOTE  
DIMENSIONS SHOWN ARE APPROXIMATE AND ARE SUBJECT TO MINOR DEVIATIONS AS MAY OCCUR OR BE NECESSARY IN CONSTRUCTION. MINOR DETAILS NOT SHOWN.

1000 GAL=1882673

REV	DATE	BY	CH	CHASSIS DATA	MAKE
13SEP25	RHU	CCS			
27JUN25	RHU	CCS		FL	
05JUN25	ADP	AJA		M2 106 PLUS 4X4	

<p>BRADENTON, FLORIDA</p>		JOB NO.	41355
		SCALE	DATE
TITLE	1250-D-1000 POLY 147.5" BODY DS & PS FULL HEIGHT (2) SPEEDLAYS		
FOR	FIRE DISTRICT 2 COUNTY OF DOUGLAS BALDWIN CITY, KS		
DWG NO.	41355AD		
DRAWN BY	ADP	CHECKED BY	AJA
		SHEET SIZE	D
		SHEET NO.	1 OF 1