

# PUMPER BODY

Medium Aluminum 2nd Gen Pumper

## CHASSIS

Sober FR Chassis

## CHASSIS

AXLE, FRONT, CUSTOM

18,000 Lb Dana Axle

AXLE, REAR

27,000 Lb Dana Axle

## ENGINE

380 HP Cummins L9 Engine

TRANSMISSION

Allison 6th Gen, 3000 EVS P

## BUMPER

19" Extended Painted Steel

## CAB

6000 Sober FR Cab

## BODY

TOTAL TANK CAPACITY

750 Gallon Poly Tank

WATER CAPACITY

750 Gallons of Water

FOAM CELL CAPACITY

Foam Cell Not Required

COMPT, PUMPER, REAR

37.75" FF RollUp Rear Compt

COMPT, PUMPER, LEFT SIDE

152" RollUp Full Height Front & Rear FDLER

COMPT, PUMPER, RIGHT SIDE

152" RollUp Full Height Front & Rear FDLER

## FIRE SUPPRESSION PUMPHOUSE

45" Control Zone Side Mount

## PUMP

1250 GPM Waterous CS

CROSSLAYS, 1.50"

(2) 1.50" Standard Capacity

CROSSLAYS, 2.50"

2.50" CrossLay Not Required

## SPEEDLAYS

SpeedLays Not Required

## GENERATOR

Generator Not Required

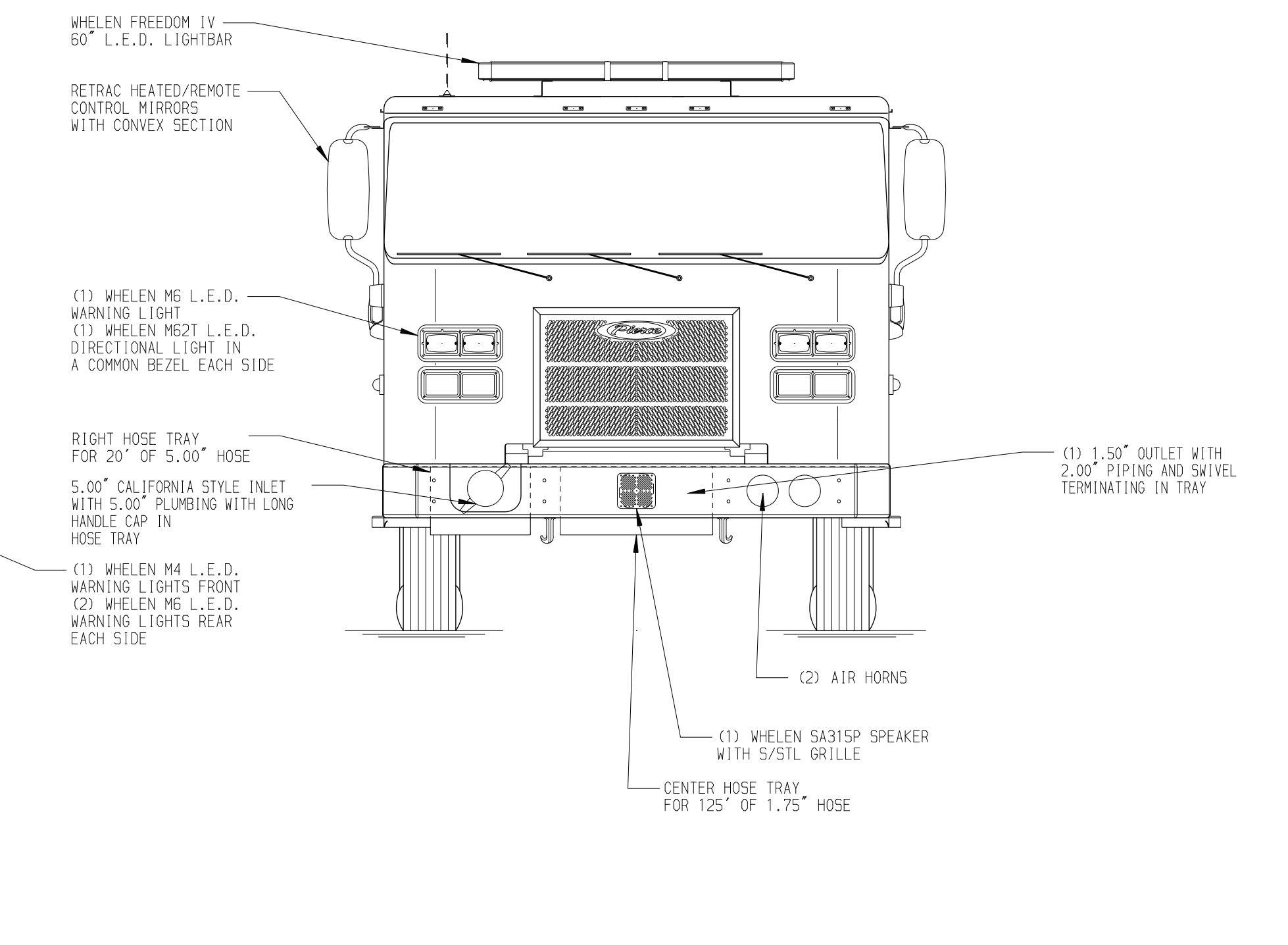
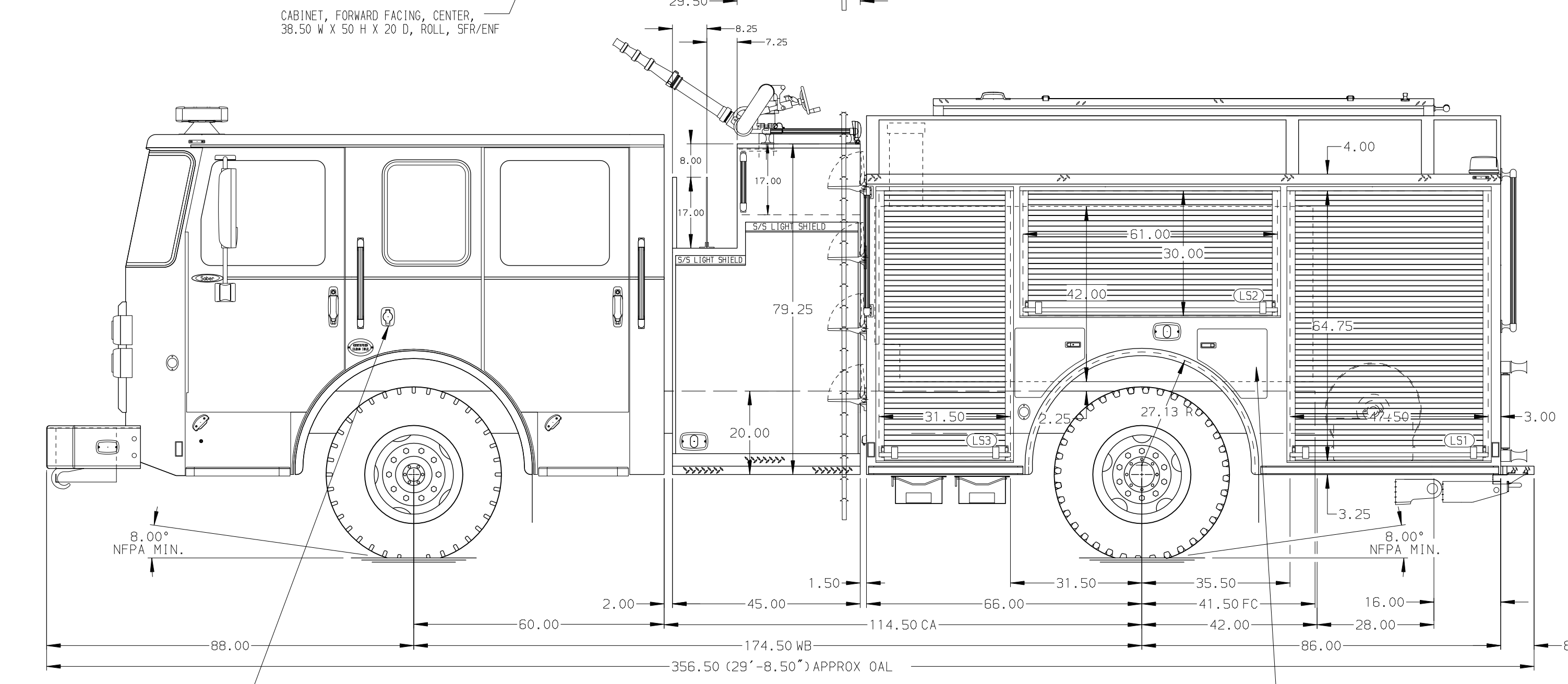
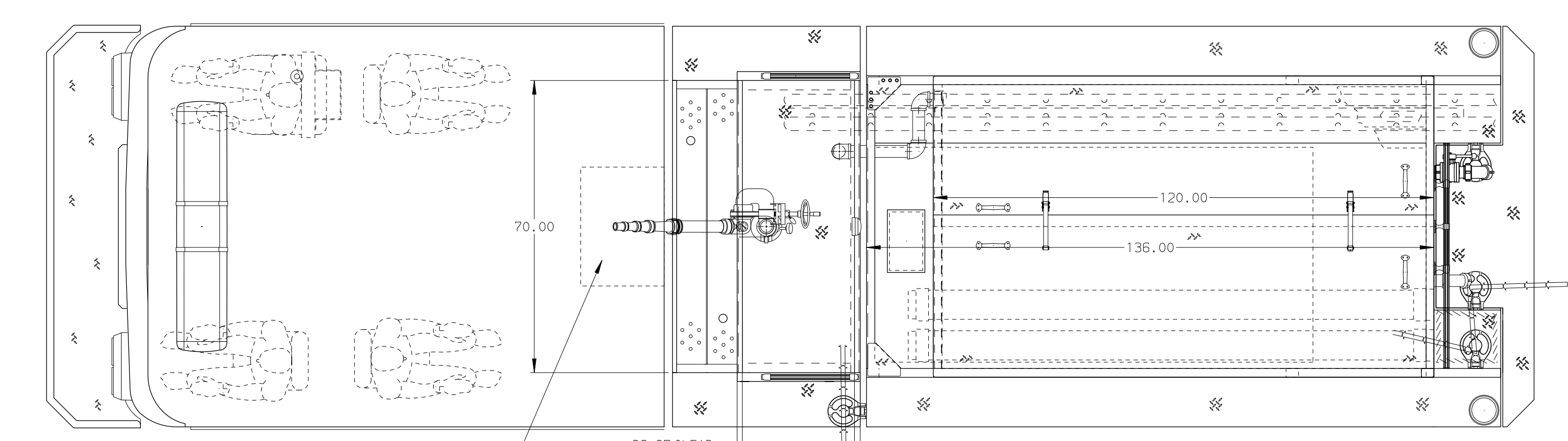
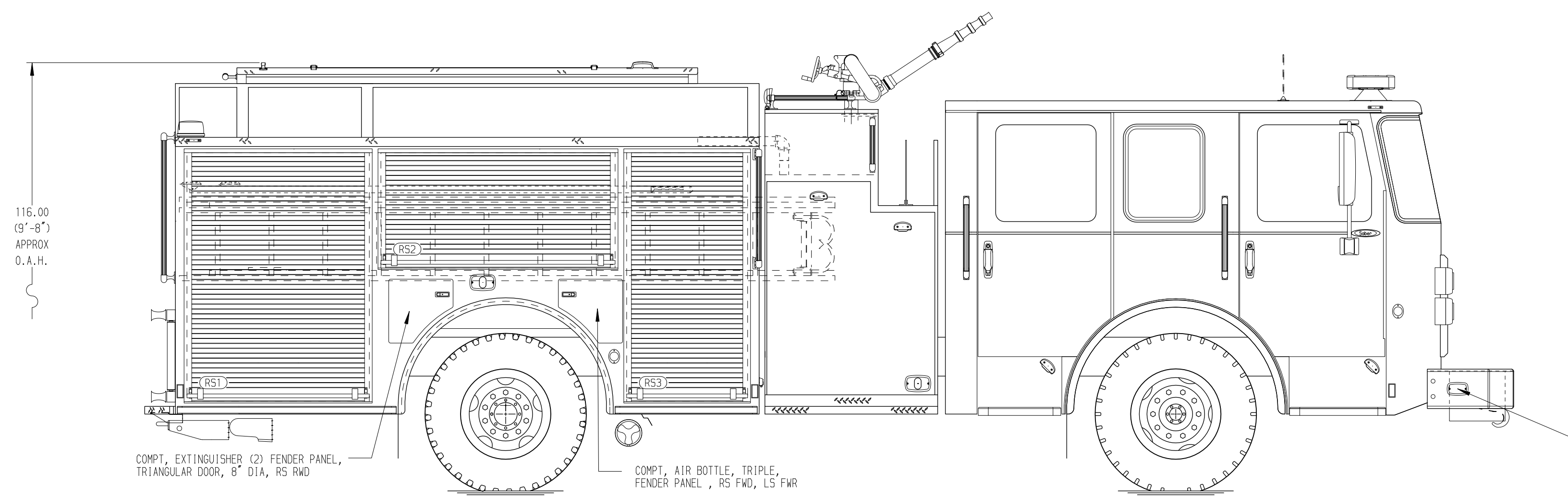
## FOAM SYSTEM

Foam System Not Required

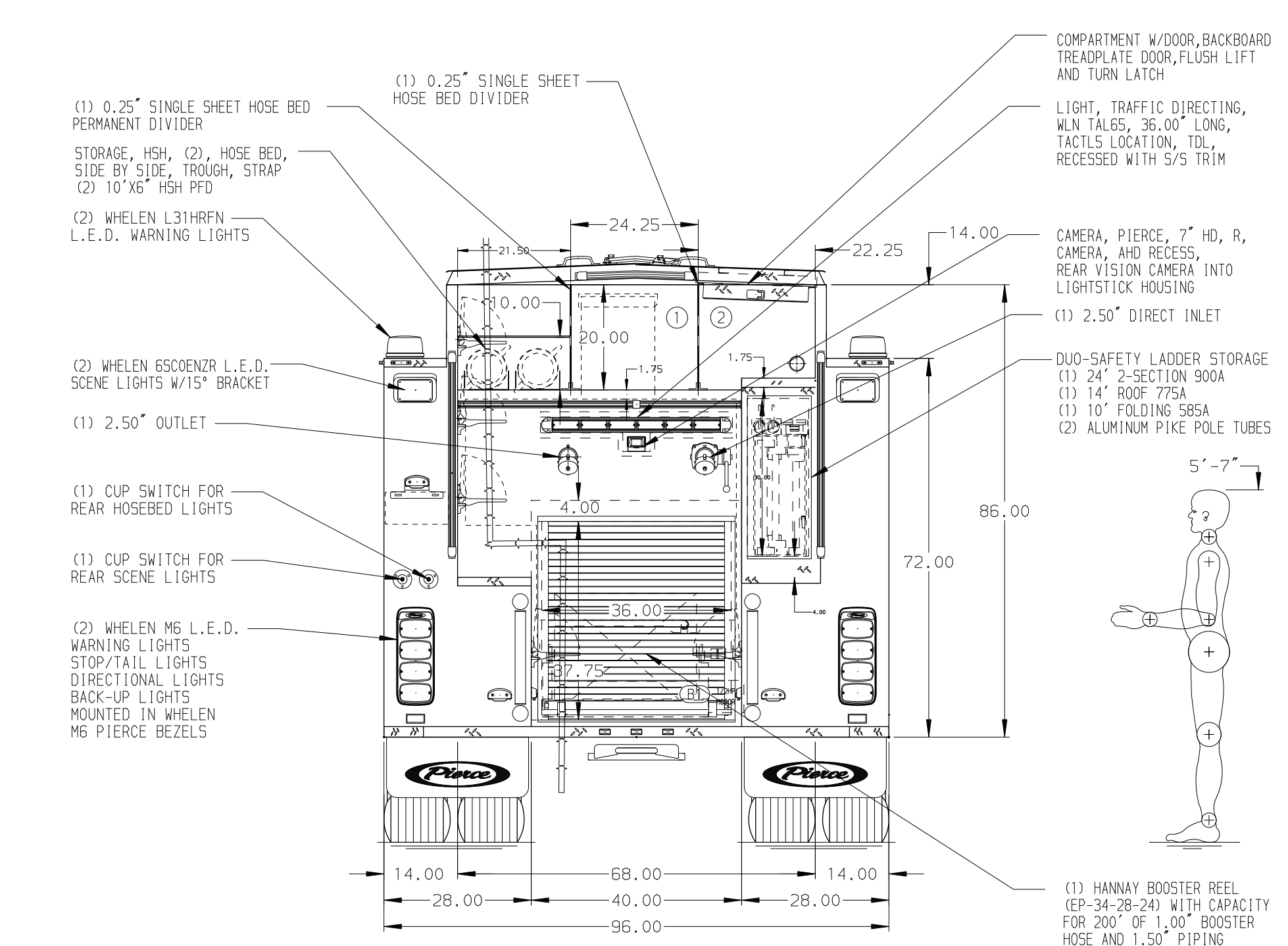
## SAFETY

### NOTE

DIMENSIONS SHOWN ARE APPROXIMATE AND ARE SUBJECT TO MINOR DEVIATIONS AS MAY OCCUR OR BE NECESSARY IN CONSTRUCTION. MINOR DETAILS NOT SHOWN.



- HOSEBED CAPACITIES
- ① 700' OF 5.00" D.J. POLY HOSE
  - ② 600' OF 3.00" D.J. POLY HOSE



MAX.O.A.L. 33'-396.00"    MAX.O.A.H. 9'-10"=118.00"    MAX.O.A.W. 10'-6"=126.00"

				CHASSIS DATA	TITLE	Pierce Pumper Approval Drawing	JOB NO.	41403	
				MAKE	FOR	Black Hills VA Health Care System	01-02	DATE	
25APR25	RHU	JAP	PIERCE	MODEL	DWG NO.	41403AD	DRAWN BY	VHO	16JAN25
06MAR25	VHO	JAP	SABER FR				CHECKED BY	MMF	17JAN25
REV	DATE	BY	CH				SHEET SIZE	D	SHEET NO.
									1 OF 1

