

# PUMPER BODY

Medium Aluminum 2nd Gen Pumper

# CHASSIS

Sober FR Chassis

# CHASSIS AXLE, FRONT, CUSTOM

18,000 Lb Axle Tak-4

# AXLE, REAR

24,000 Lb Dana Axle

# ENGINE

450 HP Cummins L9 Engine

# TRANSMISSION

Allison 6th Gen, 3000 EVS P

# BUMPER

19" Extended Painted Steel

# CAB

6000 Sober FR Cab

# BODY WATER TANK

500 Gallon Poly Water Tank

# COMPT, PUMPER, REAR

37.75" FF RollUp Rear Compt

# COMPT, PUMPER, LEFT SIDE

152" RollUp Full Height Front & Rear FDLR

# COMPT, PUMPER, RIGHT SIDE

152" RollUp Full Height Front & Rear FDLR

# FIRE SUPPRESSION PUMPHOUSE

45" Control Zone Side Mount

# PUMP

1500 GPM Waterous CSU

# CROSSLAYS, 1.50"

(2) 1.50" Spcl Capacity

# CROSSLAYS, 2.50"

2.50" Crosslay Not Required

# SPEEDLAYS

Speedlays Not Required

# GENERATOR

Generator Not Required

# Foam System

Akron Educator 3096-95

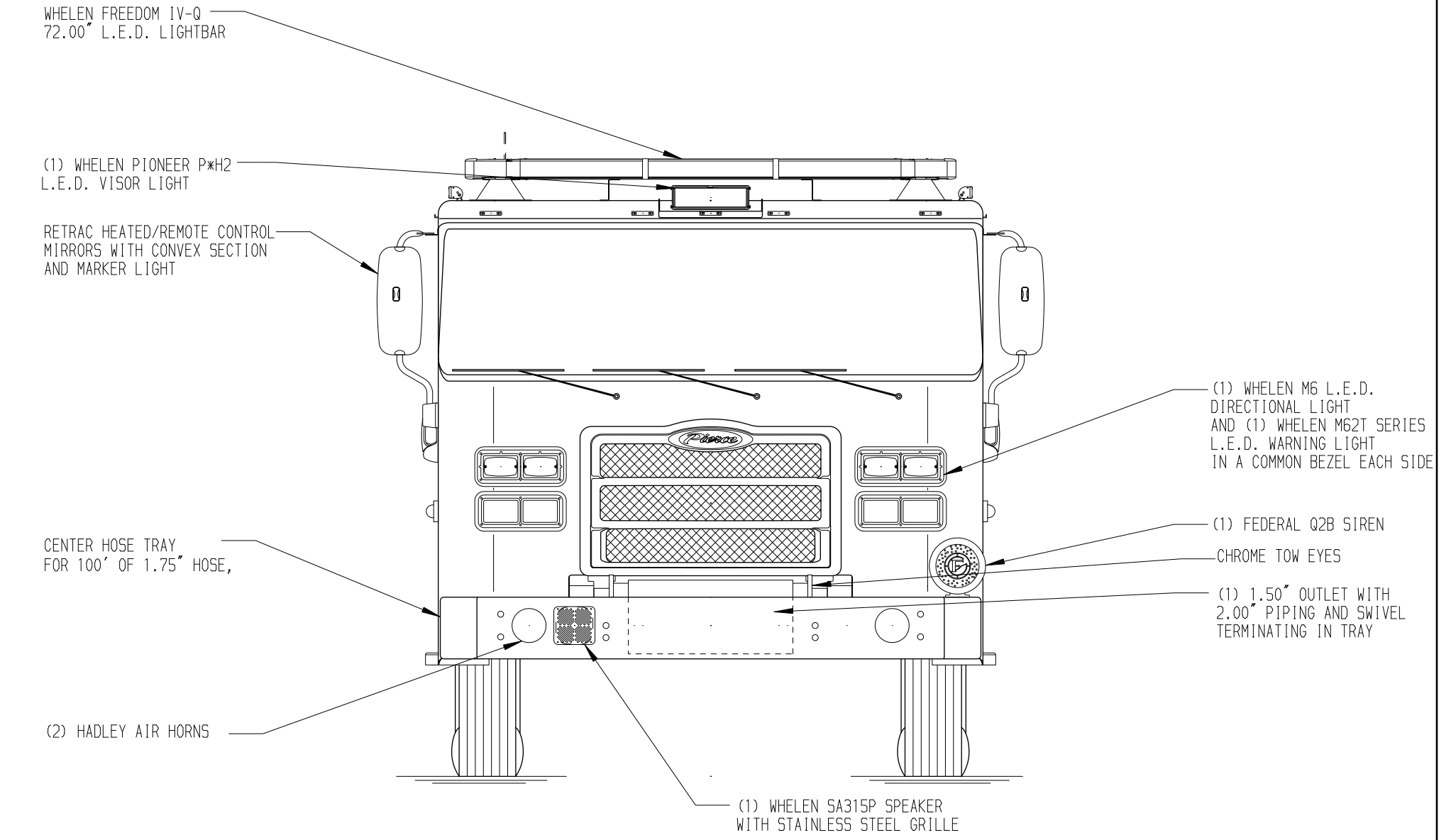
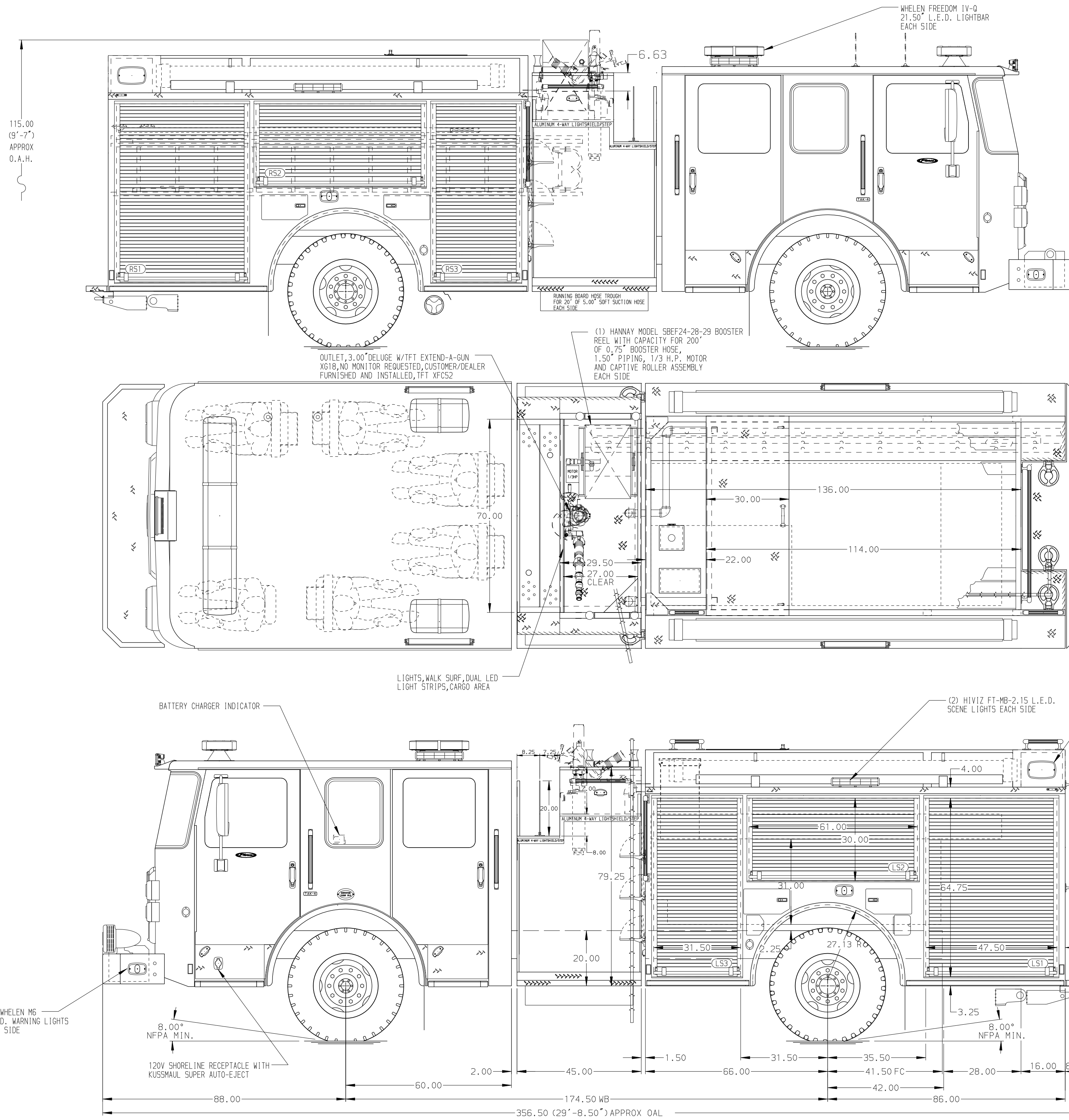
# Foam Cell

30 Gal Foam Cell Not Reduce

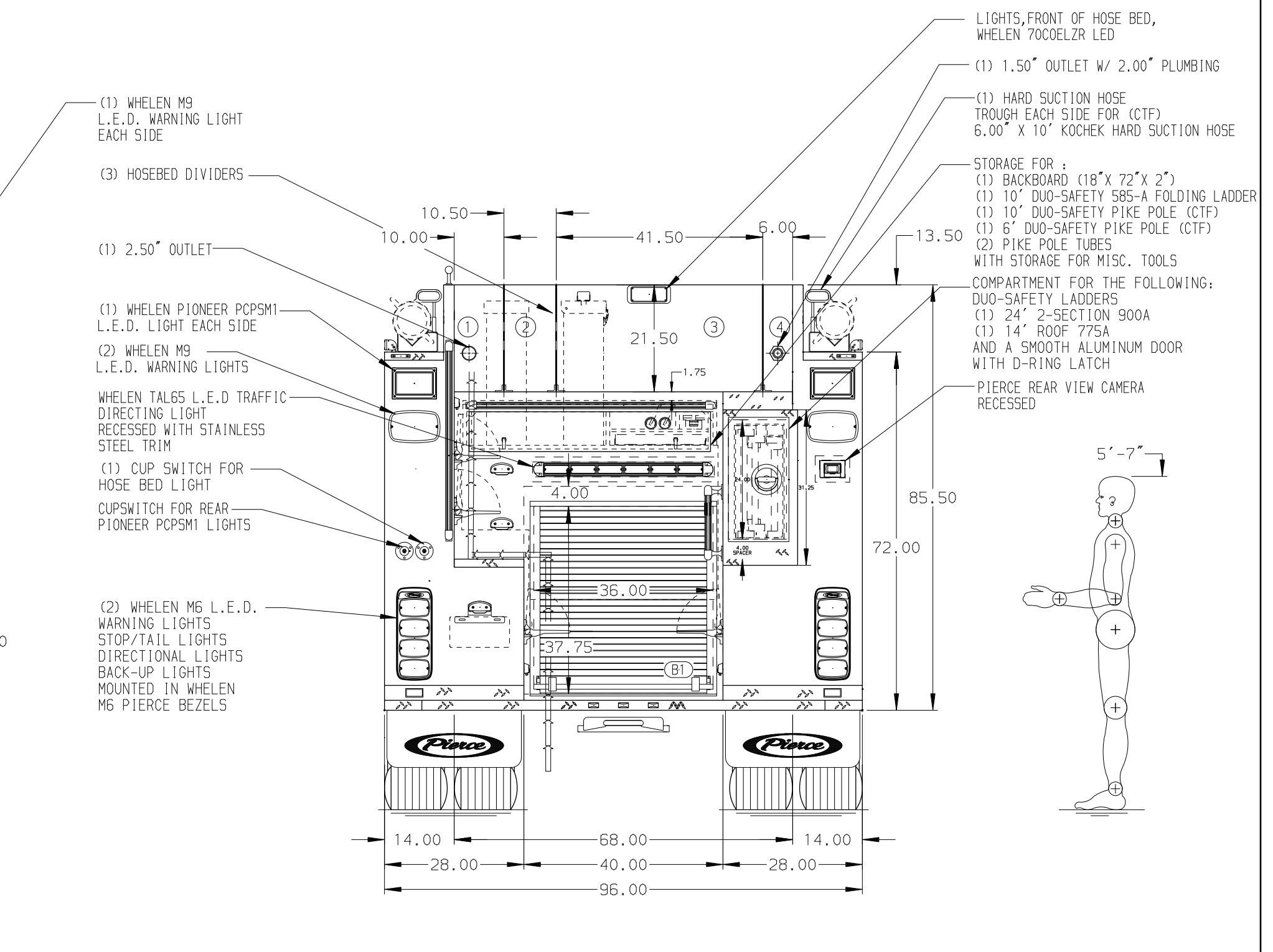
# SAFETY

## NOTE

DIMENSIONS SHOWN ARE APPROXIMATE AND ARE SUBJECT TO MINOR DEVIATIONS AS MAY OCCUR OR BE NECESSARY IN CONSTRUCTION. MINOR DETAILS NOT SHOWN.



HOSEBED CAPACITY	
BED 1	200' OF 2.50" D.J. POLY HOSE
BED 2	200' OF 2.50" D.J. POLY HOSE
BED 3	1000' OF 5.00" D.J. POLY HOSE
BED 4	200' OF 1.75" D.J. POLY HOSE



		JOB NO.	41410-01-02
		SCALE	DATE
TITLE	Pierce Pumper Approval Drawing	DRAWN BY	VHO
FOR	Mobile Fire Rescue	CHECKED BY	MMF
DWG NO.	41410AD-SH1	SHEET SIZE	SHEET NO.
		D	1 OF 2

REV	DATE	BY	CH	MODEL
				SABER FR