

**PUMPER, PUC**  
**BODY**  
 Pumper, PUC, Aluminum  
**CHASSIS**  
 Enforcer Chassis, PUC  
**ELECTRICAL SYSTEM**  
 MUX

**CHASSIS**  
**AXLE, FRONT, CUSTOM**  
 19,500 Lb TAK-4 Axle  
**AXLE, REAR**  
 24,000 Lb Meritor Axle  
**ENGINE**  
 510 HP Paccar MX13 Engine  
**TRANSMISSION**  
 Allison 6th Gen, 4500 EVS P  
**BUMPER**  
 16" Extended Stainless Steel  
**CAB**  
 7010 Enforcer Cab, PUC

**BODY**  
**TOTAL TANK CAPACITY**  
 520 Gallon Poly Tank  
**WATER CAPACITY**  
 500 Gallons of Water  
**FOAM CELL CAPACITY**  
 20 Gallon Foam Cell  
**COMPT, PUMPER, REAR**  
 40.50" FF RollUp Rear Compt w/Tailboard, PUC  
**COMPT, PUMPER, LEFT SIDE**  
 177" RollUp Full Height & Depth Front & Rear, PUC  
**COMPT, PUMPER, RIGHT SIDE**  
 177" RollUp Full Height & Depth Front & Rear, PUC

**FIRE SUPPRESSION**  
**PUMPHOUSE**  
 Control Zone, PUC  
**PUMP**  
 2000 GPM Pierce PUC  
**CROSSLAYS, 1.50"**  
 (2) 1.50", Poly Trays, 200"  
**CROSSLAYS, 2.50"**  
 (1) 2.50", Poly Tray, 200"  
**SPEEDLAYS**  
 Speedlays Not Required  
**GENERATOR**  
 Generator Not Required  
**FOAM SYSTEM**  
 Husky 3 Single Agent Foam System

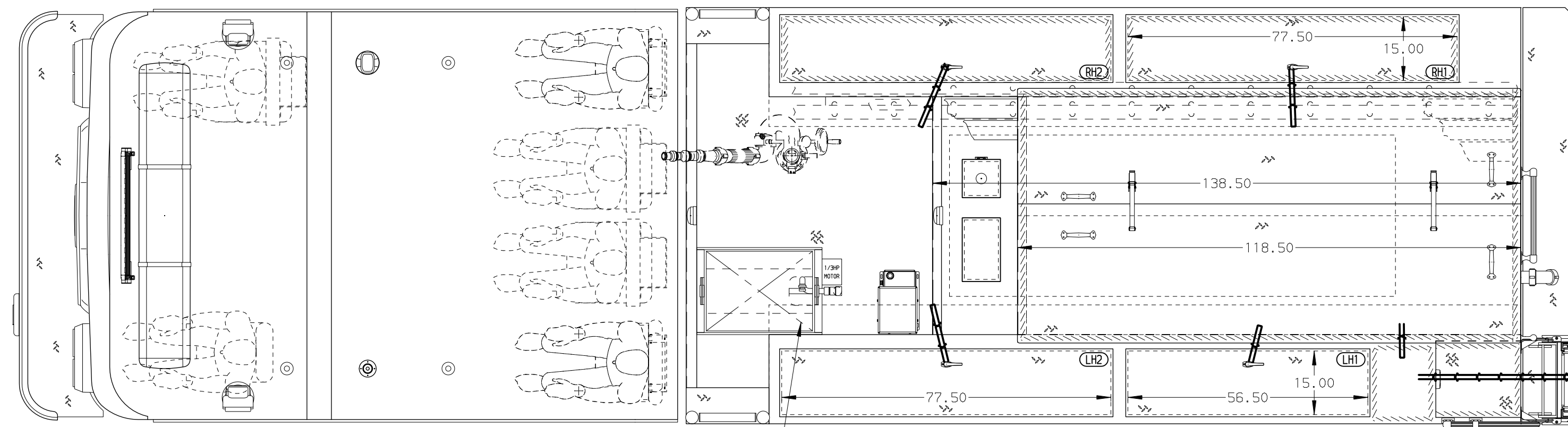
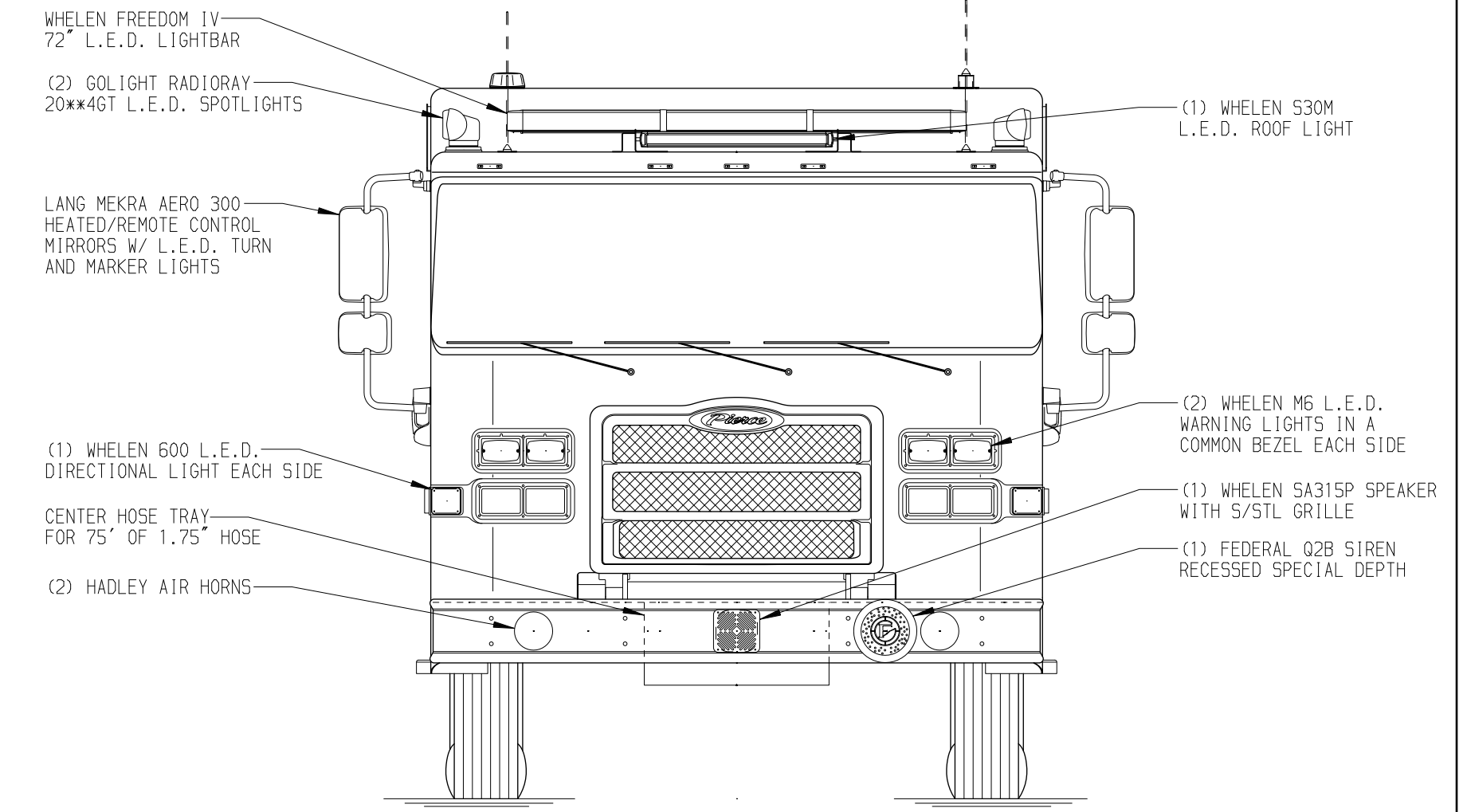
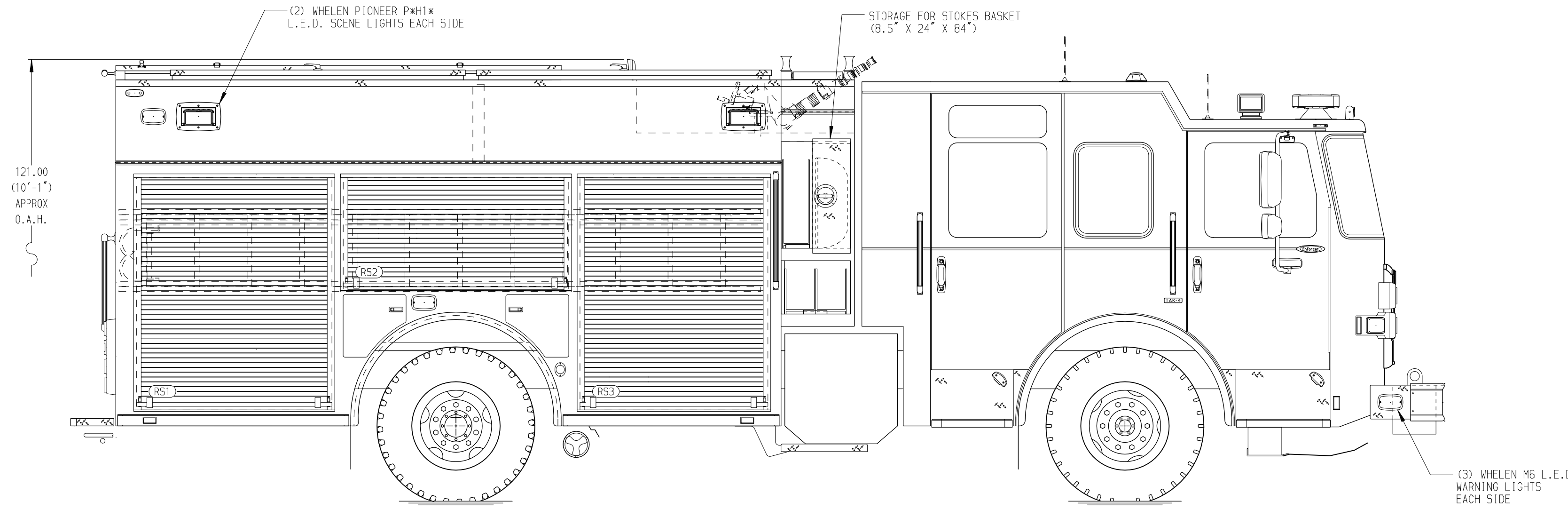
**SAFETY**

Not Required, Side Roll and Frontal Impact Protection

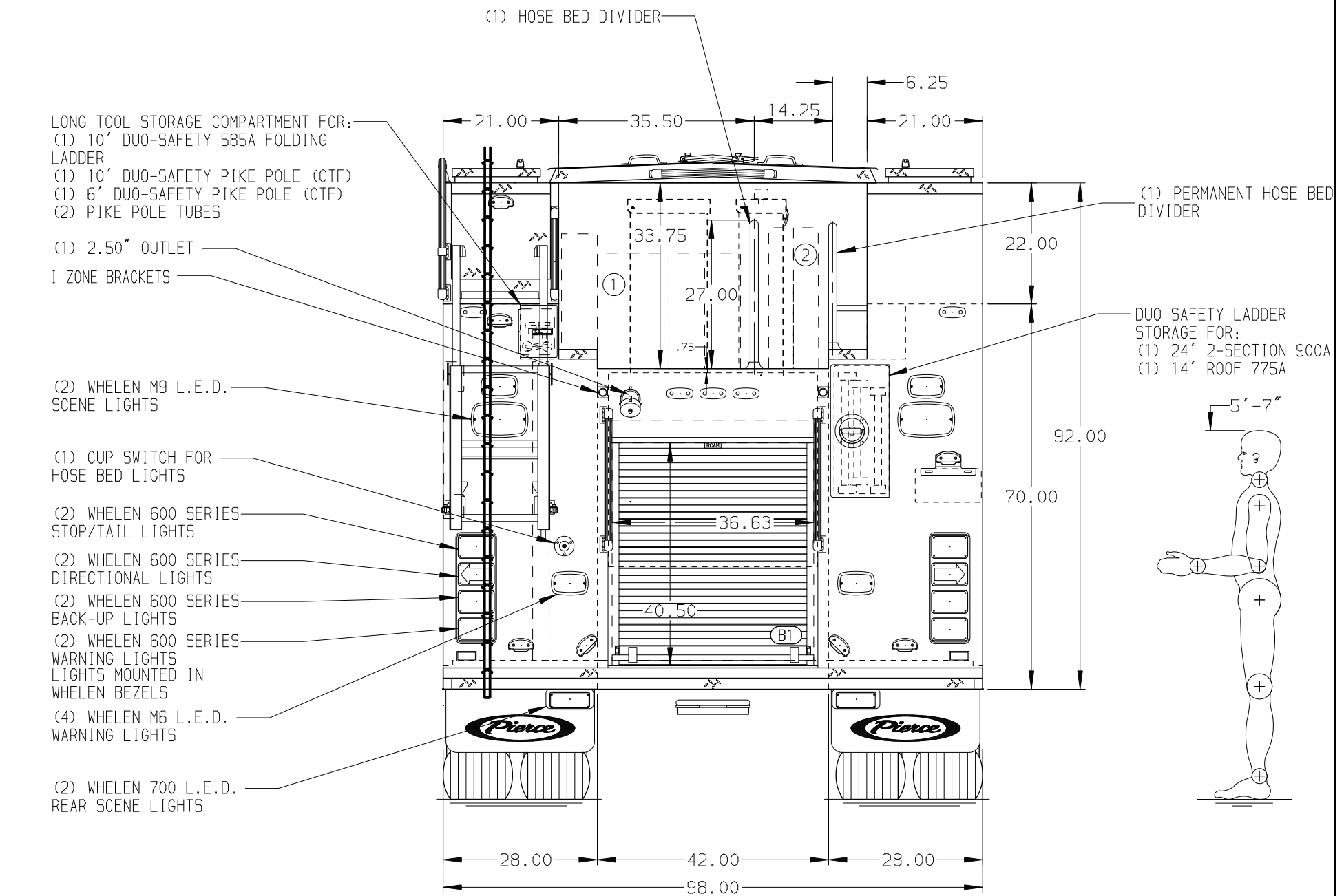
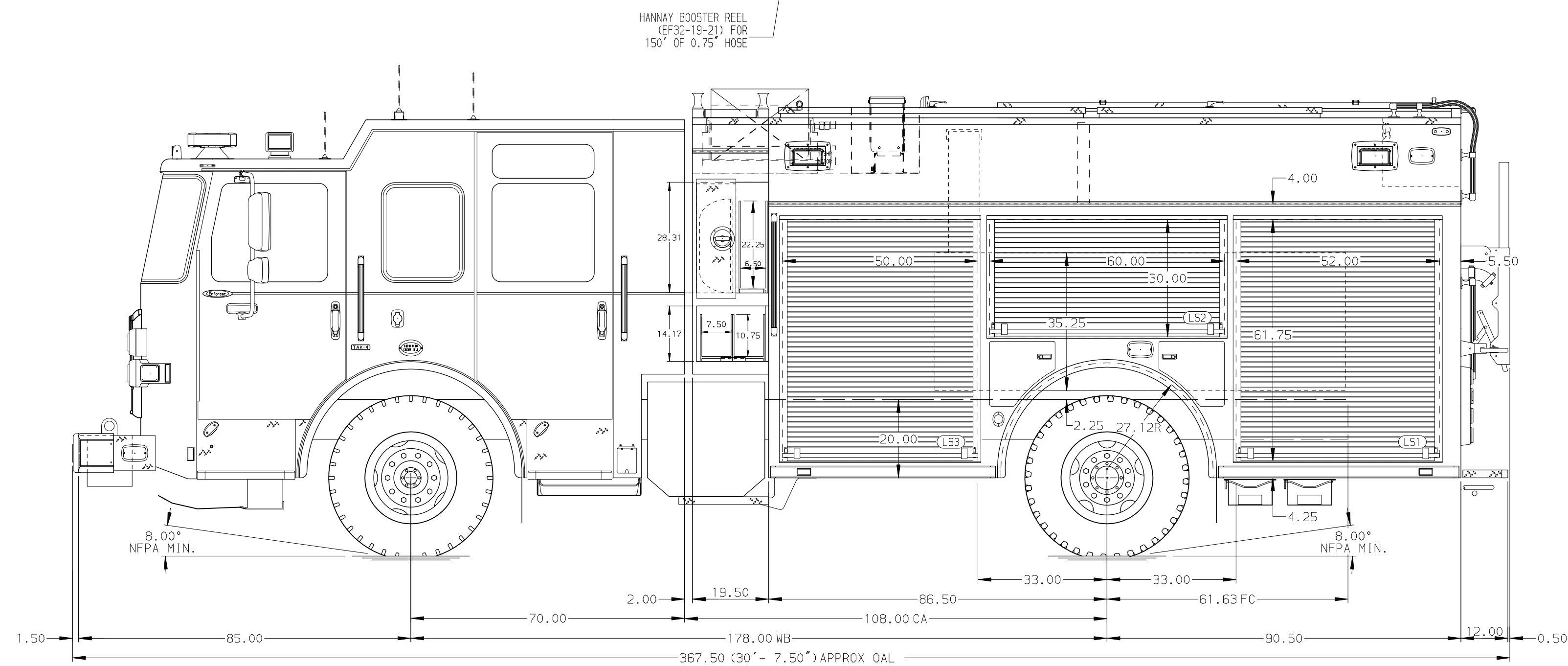
**NOTE**  
 DIMENSIONS SHOWN ARE APPROXIMATE AND ARE SUBJECT TO MINOR DEVIATIONS AS MAY OCCUR OR BE NECESSARY IN CONSTRUCTION. MINOR DETAILS NOT SHOWN.

- ONE 1.50" OUTLET WITH 2.00" PIPING AND SWIVEL LOCATED IN CENTER BUMPER TRAY
- 20A SHORELINE RECEPTACLE WITH KUSMAUL SUPER AUTO-EJECT LOCATED ON DRIVER SIDE OF THE CAB
- AIR INLET WITH DISCONNECT COUPLING IN THE DRIVER SIDE STEPIWELL
- AIR OUTLET WITH SHUT OFF VALVE ON DRIVER SIDE PUMP PANEL
- BATTERY CHARGER LOCATED PER ORDER
- XANTREX FREEDOM INVERTER LOCATED PER ORDER
- ELEVEN ADJUSTABLE SHELVES LOCATED PER ORDER
- FOUR SLIDE-OUT TRAYS LOCATED PER ORDER
- ONE CTECH CABINET DRAWER ASSEMBLY LOCATED PER ORDER
- ONE ALUMINUM SWING-OUT TOOLBOARDS LOCATED PER ORDER

- ONE VERTICAL PARTITION LOCATED PER ORDER
- TWO AIR BOTTLE STORAGE BINS LOCATED PER ORDER
- FIVE 15/20A 3-WIRE NEMA RECEPTACLES LOCATED PER ORDER



- HOSEBED CAPACITIES**
- 1200' OF 4.00" D.J. POLY HOSE
  - 600' OF 2.50" D.J. POLY HOSE



		JOB NO.	41431
		SCALE	DATE
TITLE	Pierce Pumper Approval Drawing	DRAWN BY	SJM
FOR	Atascadero Fire Department	CHECKED BY	MMF
DWG NO.	41431AD	SHEET SIZE	SHEET NO.
REV	DATE	BY	CH

CHASSIS DATA	TITLE	Pierce Pumper Approval Drawing
MAKE	FOR	Atascadero Fire Department
MODEL	DWG NO.	41431AD
ENFORCER	REV	DATE