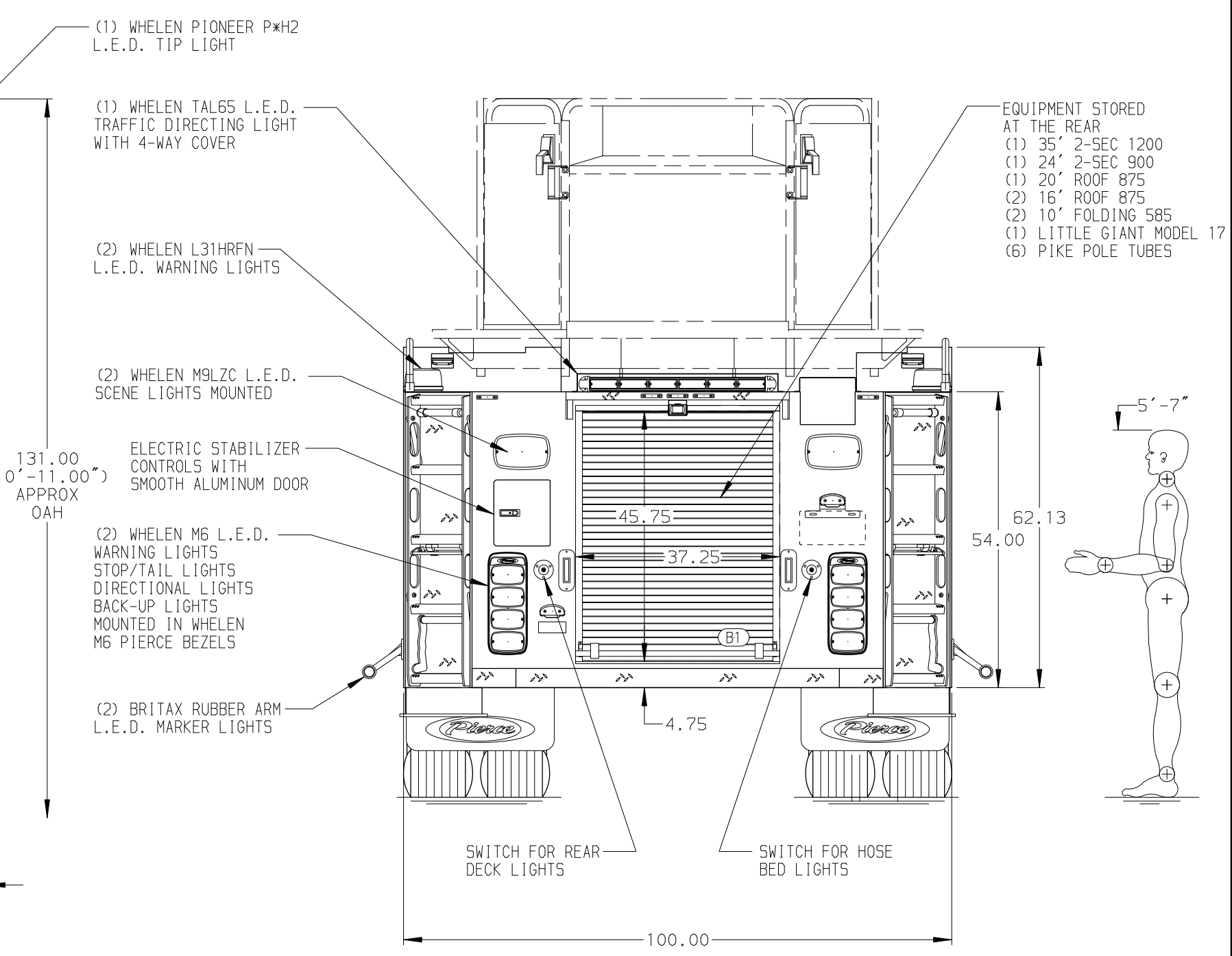
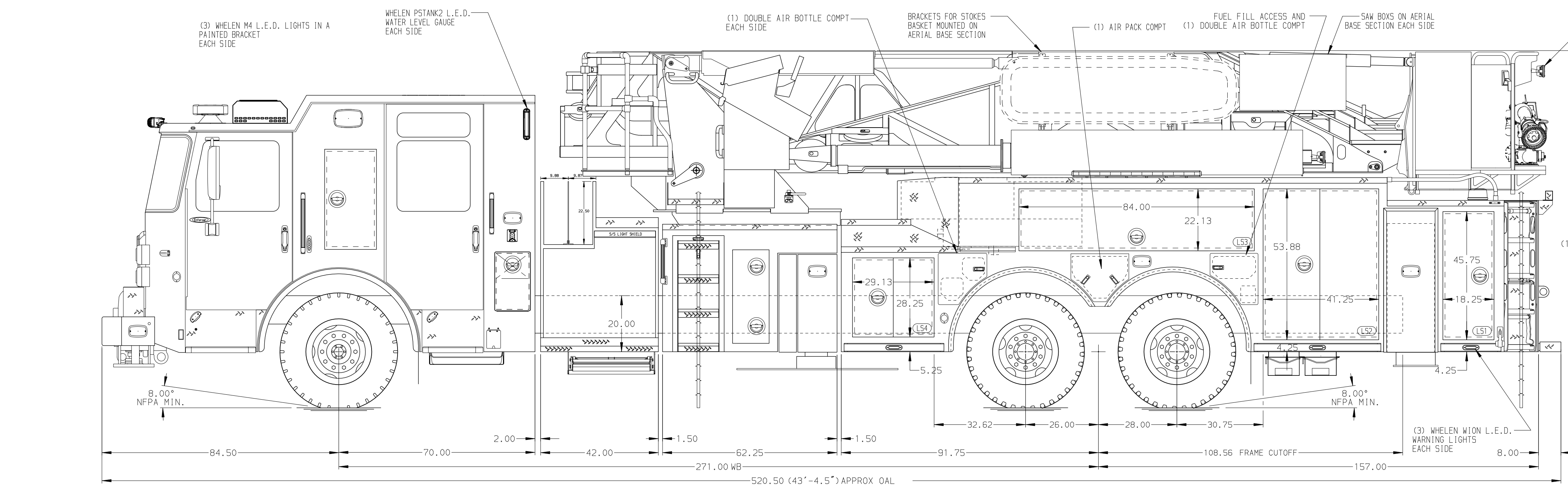


BODY 100' Ascendant Aerial Tower Alum Body COMPT, LEFT SIDE Full Height Lap Doors COMPT, RIGHT SIDE Full Height Lap Doors	WATER TANK 300 Gallon Poly Water Tank Foam System Foam System Not Required Foam Cell Foam Cell Not Required
---	---



CHASSIS Enforcer Chassis ENGINE 510 HP Paccar MX13 Engine	CAB 7010 Enforcer Cab BUMPER 15" Painted Steel	AXLE, FRONT, CUSTOM 23,000 Lb Dana Axle AXLE, REAR 54,000 Lb Meritor Axle	TRANSMISSION Allison 6th Gen, 4000 EV5 P	PUMPHOUSE 42" Control Zone Side Mount PUMP 2000 GPM Waterous ESU1	CROSSLAYS, 1.50" (2) 1.50" Standard Capacity CROSSLAYS, 2.50" 2.50" Crosslay Not Required	SPEEDLAYS Speedlays Not Required GENERATOR Generator Not Required	SAFETY Side Roll and Frontal Impact Protection
--	---	--	--	--	--	--	---

NOTE
DIMENSIONS SHOWN ARE APPROXIMATE AND ARE SUBJECT TO MINOR DEVIATIONS AS MAY OCCUR OR BE NECESSARY IN CONSTRUCTION. MINOR DETAILS NOT SHOWN.

- SHORELINE RECEPTACLE WITH BLUE SEA SUPER SURE-EJECT LOCATED ON DRIVER SIDE OF THE CAB
- AIR INLET WITH DISCONNECT COUPLING IN THE DRIVER SIDE STEPMILL
- BATTERY CHARGER LOCATED PER ORDER
- ADJUSTABLE SHELVES LOCATED PER ORDER
- NON-RAISED AERIAL PEDESTAL
- 3-IN-1 LYFCOMBO BRACKETS AT AERIAL BASKET
- ONE NOVA KOOL REFRIGERATOR PER ORDER
- THREE 120V RECEPTACLES PER ORDER
- DC POWER TO AERIAL TIP
- FOUR PEGBOARD ON SIDE WALL PER ORDER

- EIGHT ADJ SHELVES PER ORDER
- ONE CTECH (3) DRAWER CABINET PER ORDER
- ONE SWING-OUT TOOLBOARD PER ORDER
- ONE VERTICAL PARTITION PER ORDER
- THREE PEGBOARD ON BACK WALL PER ORDER
- THREE FLOOR MOUNTED SLIDE-OUT TRAYS PER ORDER

		JOB NO.	41450
		SCALE	DATE
TITLE	100' ASCENDANT AERIAL TOWER AND BODY ASSEMBLY	DRAWN BY	LWE
FOR	SUNLAND PARK SUNLAND PARK, NM	CHECKED BY	JLO
DWG NO.	41450AD	SHEET SIZE	D
		SHEET NO.	1 OF 1

REV	DATE	BY	CH
15SEP125	ZMI	GKH	
23JUL25	ZMI	GKH	