

**PUMPER, PUC**  
**BODY**  
 Pumper, PUC, Aluminum  
**CHASSIS**  
 Enforcer Chassis, PUC  
**ELECTRICAL SYSTEM**  
 MUX

**CHASSIS**  
**AXLE, FRONT, CUSTOM**  
 19,500 Lb TAK-4 Axle  
**AXLE, REAR**  
 27,000 Lb Dana Axle  
**ENGINE**  
 510 HP Paccar MX13 Engine  
**TRANSMISSION**  
 Allison 6th Gen, 4000 EVS P  
**BUMPER**  
 19" Extended Stainless Steel  
**CAB**  
 7010 Enforcer Cab, PUC

**BODY**  
**TOTAL TANK CAPACITY**  
 780 Gallon Poly Tank  
**WATER CAPACITY**  
 750 Gallons of Water  
**FOAM CELL CAPACITY**  
 30 Gallon Foam Cell  
**COMPT, PUMPER, REAR**  
 33.50" FF RollUp Rear Compt w/Tailboard, PUC  
**COMPT, PUMPER, LEFT SIDE**  
 189" RollUp/Lap Full Height & Depth Front & Rear, PUC  
**COMPT, PUMPER, RIGHT SIDE**  
 189" Lap Full Height & Depth Front & Rear, PUC

**FIRE SUPPRESSION**  
**PUMPHOUSE**  
 Control Zone, PUC  
**PUMP**  
 1500 GPM Pierce PUC  
**CROSSLAYS, 1.50"**  
 (2) 1.50", Poly Trays, 200'  
**CROSSLAYS, 2.50"**  
 (1) 2.50", Poly Tray, 200'  
**SPEEDLAYS**  
 SpeedLays Not Required  
**GENERATOR**  
 Generator Not Required  
**FOAM SYSTEM**  
 Husky 3 Single Agent Foam System

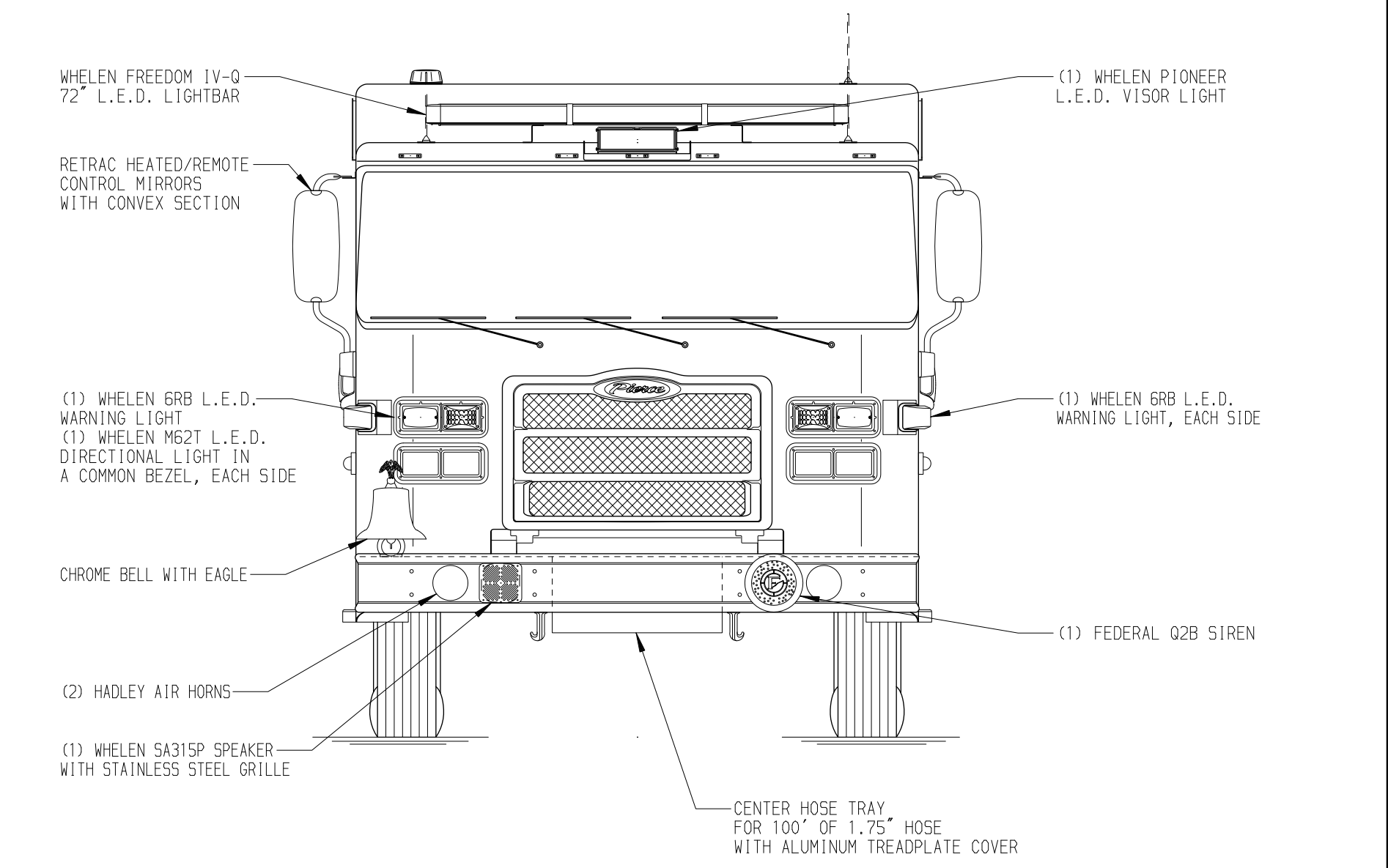
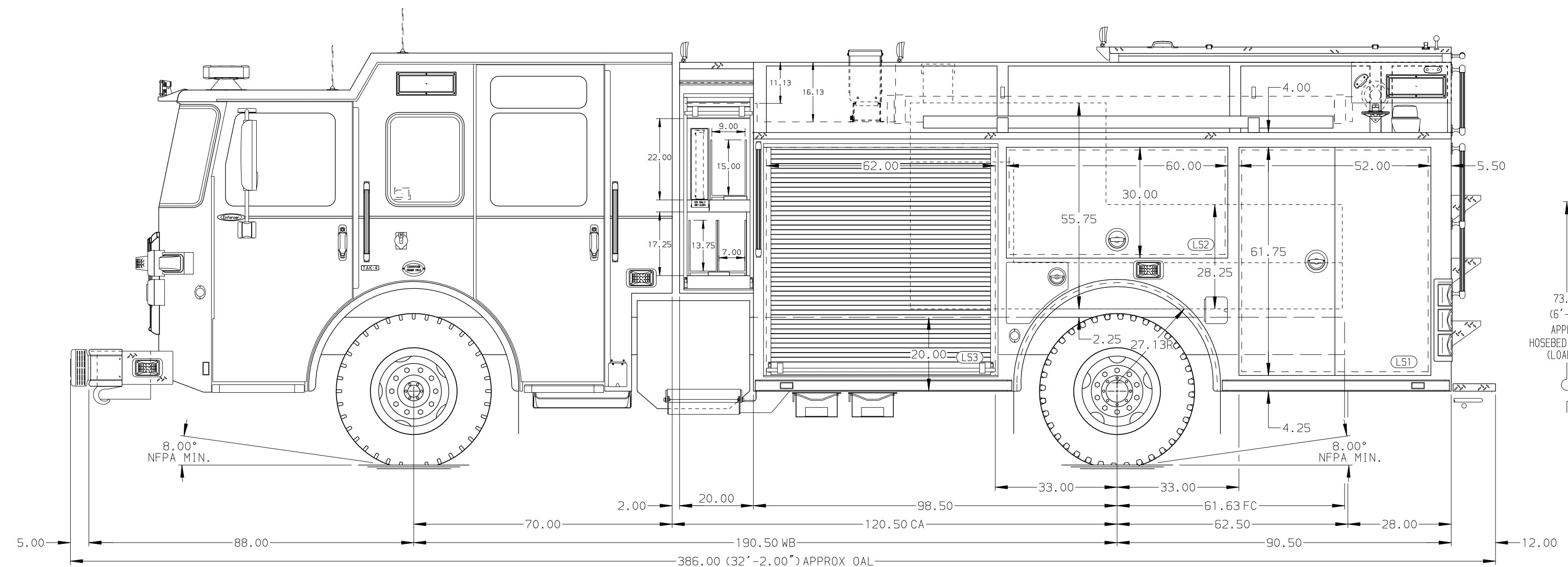
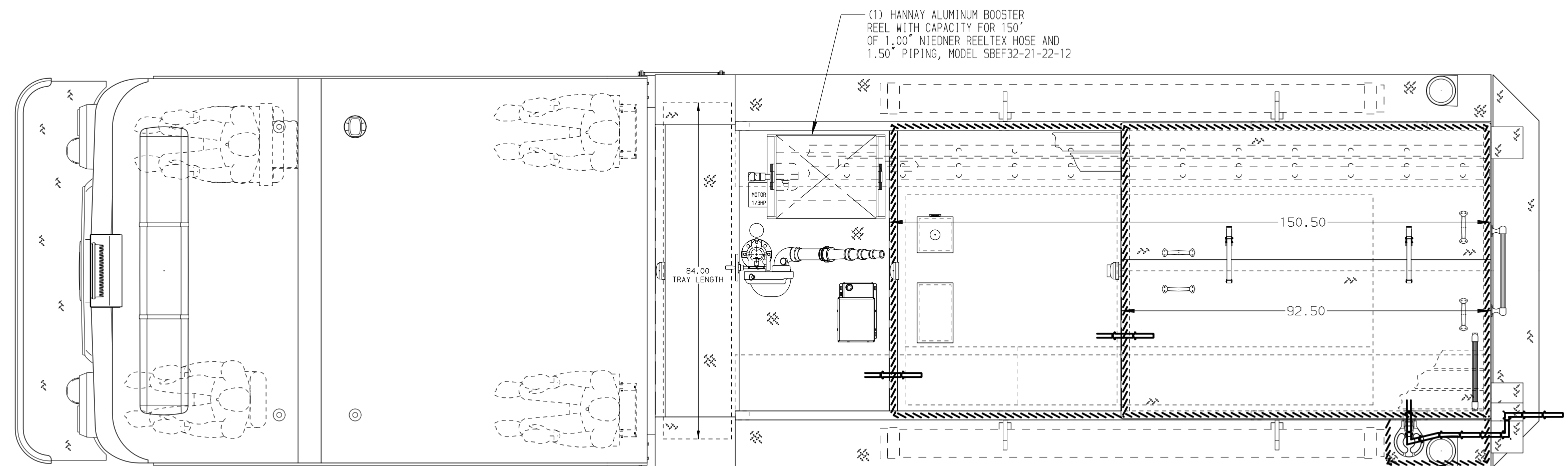
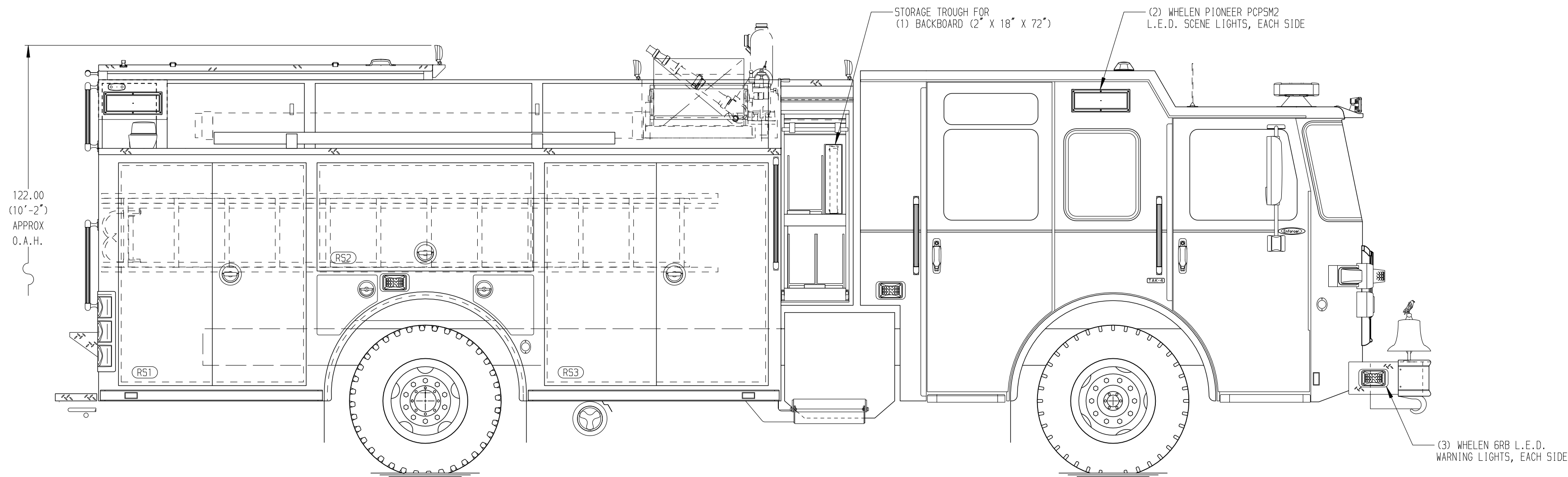
**SAFETY**

Side Roll and Frontal Impact Protection

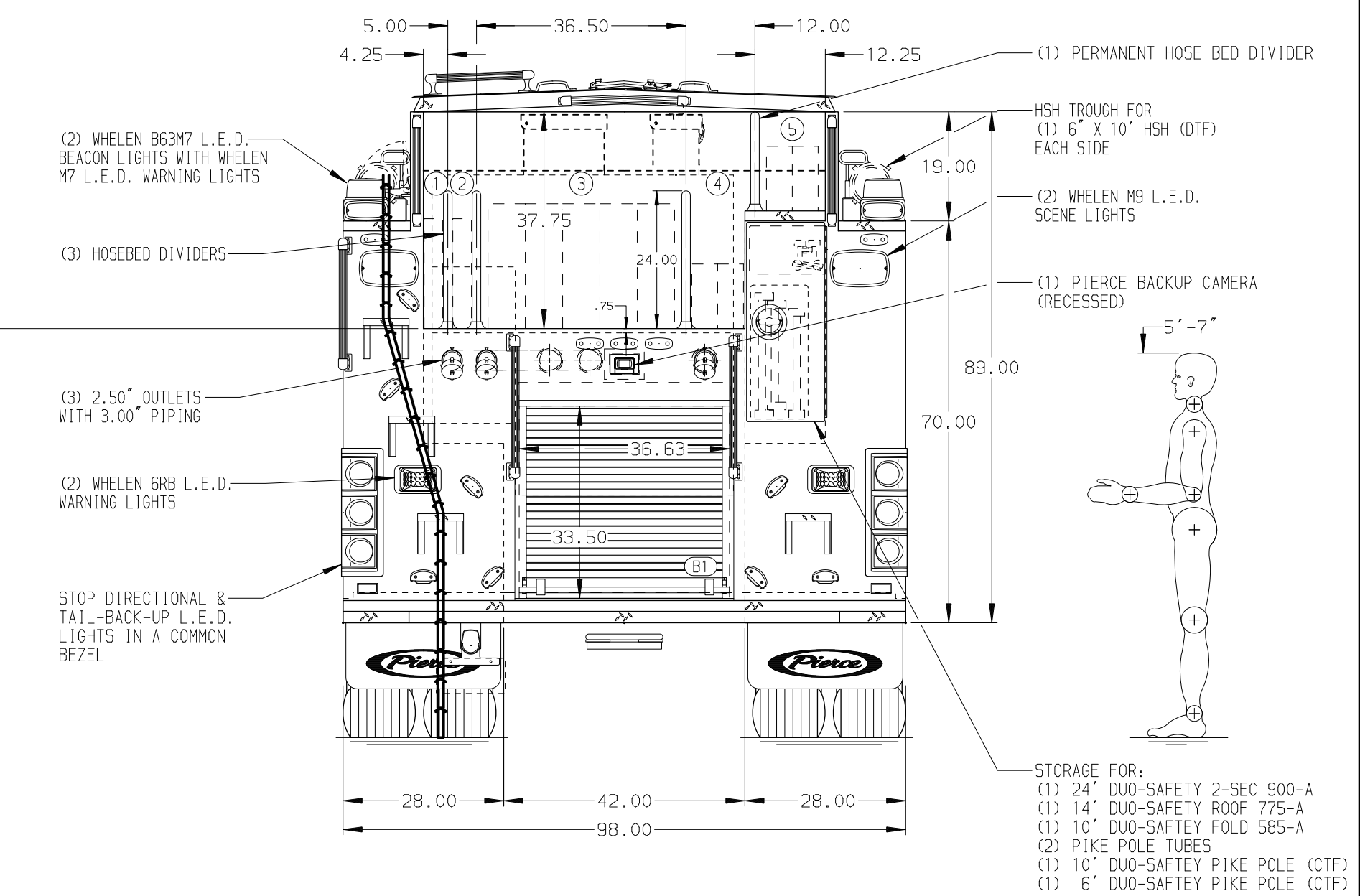
**NOTE**  
 DIMENSIONS SHOWN ARE APPROXIMATE AND ARE SUBJECT TO MINOR DEVIATIONS AS MAY OCCUR OR BE NECESSARY IN CONSTRUCTION. MINOR DETAILS NOT SHOWN.

- DUAL L.E.D. LIGHT STRIPS LOCATED IN HOSE BED
- SHORELINE RECEPTACLE LOCATED ON DRIVER SIDE OF THE CAB
- AIR INLET WITH DISCONNECT COUPLING IN THE DRIVER SIDE STEPWELL
- BATTERY CHARGER LOCATED PER ORDER
- BATTERY CHARGE INDICATOR LOCATED BEHIND DS CAB WINDOW
- ONE 90 DEGREE SWIVEL ELBOW WITH SPECIAL THREADS LOCATED IN EACH LOWER CROSSLAY
- FIVE FULL WIDTH/DEPTH ADJUSTABLE SHELVES LOCATED PER ORDER
- THREE FLOOR MOUNTED SLIDE-OUT TRAYS WITH SIDE SLIDES LOCATED PER ORDER
- FOUR EXTERIOR GRADE PLYWOOD SHEETS TO BE LOCATED PER ORDER

- TWO 120V DUPLEX RECEPTACLES LOCATED PER ORDER
- ONE 1.50" OUTLET WITH 2.00" PIPING AND SWIVEL LOCATED IN CENTER BUMPER TRAY



- HOSEBED CAPACITIES**
- 200' OF 1.75" D.J. POLY HOSE
  - 200' OF 1.75" D.J. POLY HOSE
  - 1000' OF 4.00" D.J. POLY HOSE
  - 200' OF 2.50" D.J. POLY HOSE
  - 200' OF 2.50" D.J. POLY HOSE



REV	DATE	BY	CH	ENFORCER
12NOV25	JDA	JGO		CHASSIS DATA
28OCT25	JDA	JGO		PIERCE
15OCT25	JDA	JGO		MODEL

		JOB NO.	41459
TITLE		SCALE	DATE
Pierce Pumper Approval Drawing		1:24	
FOR		DRAWN BY	JDA
Bangor Fire Department		CHECKED BY	MMF
DWG NO.		SHEET SIZE	SHEET NO.
41459AD		D	1 OF 1