

PUMPER BODY
 Short Aluminum 2nd Gen Pumper

CHASSIS
 Enforcer Chassis

ELECTRICAL SYSTEM
 MUX

CHASSIS AXLE, FRONT, CUSTOM
 22,800 Lb TAK-4 Axle

AXLE, REAR
 27,000 Lb Meritor Axle

ENGINE
 525 HP Cummins X12 Engine

TRANSMISSION
 Allison 6th Gen, 4000 EVS P

BUMPER
 13" Extended Painted Steel

CAB
 7000 Enforcer Cab

BODY TOTAL TANK CAPACITY
 750 Gallon New York Style Poly Tank

WATER CAPACITY
 720 Gallons of Water

FOAM CELL CAPACITY
 30 Gallon Foam Cell

COMPT, PUMPER, REAR
 30.75" FF Lap Rear Compt

COMPT, PUMPER, LEFT SIDE
 145" RollUp Full Height Front & Rear FDLR

COMPT, PUMPER, RIGHT SIDE
 145" RollUp Full Height Front & Rear FDLR

FIRE SUPPRESSION PUMPHOUSE
 45" Control Zone Side Mount

PUMP
 2000 GPM Waterous CMU

CROSSLAYS, 1.50"
 (2) 1.50" Standard Capacity (Single Stacked)

CROSSLAYS, 2.50"
 2.50" Crosslay Not Required

SPEEDLAYS
 SpeedLays Not Required

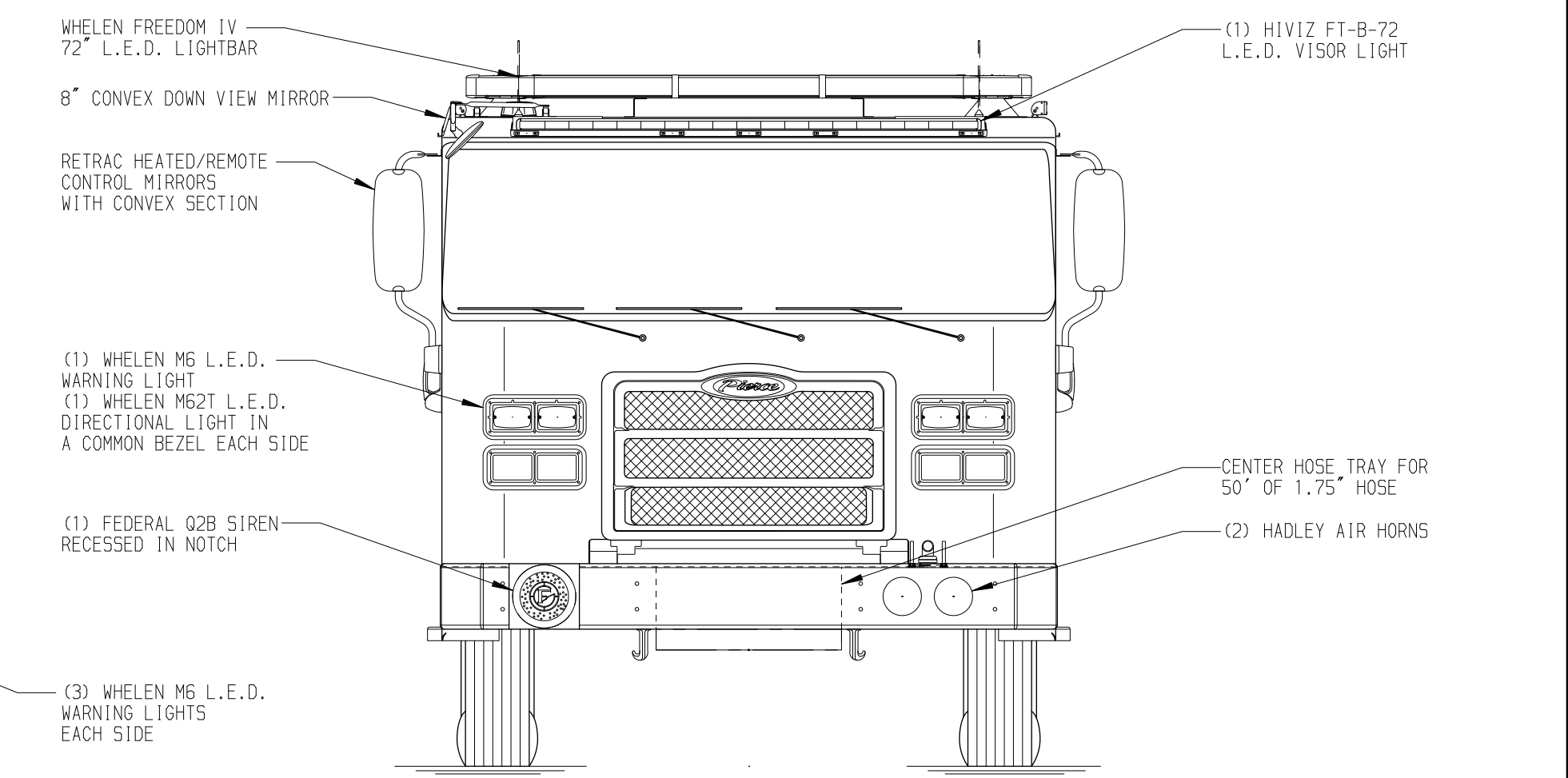
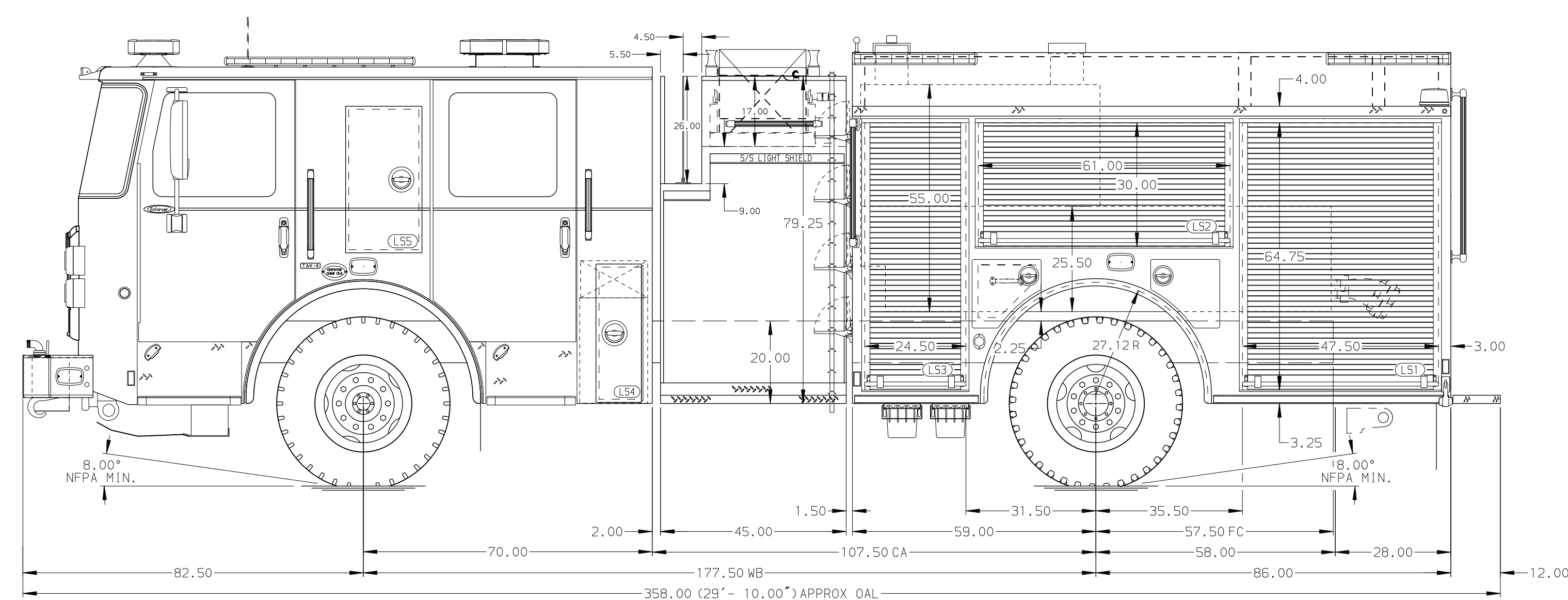
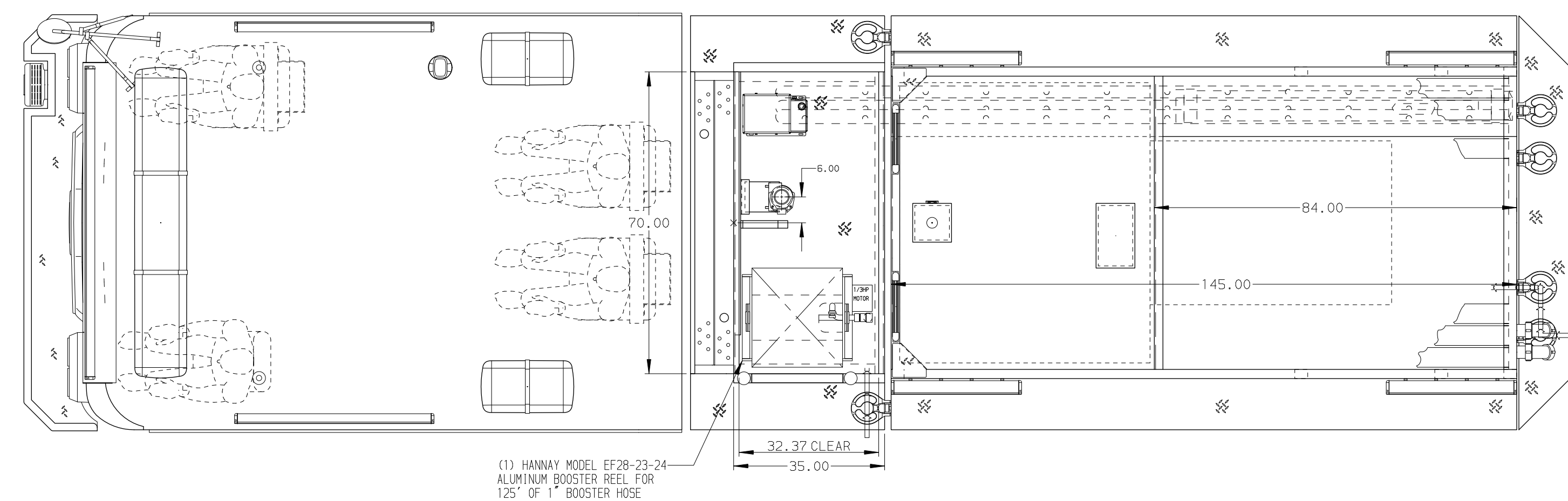
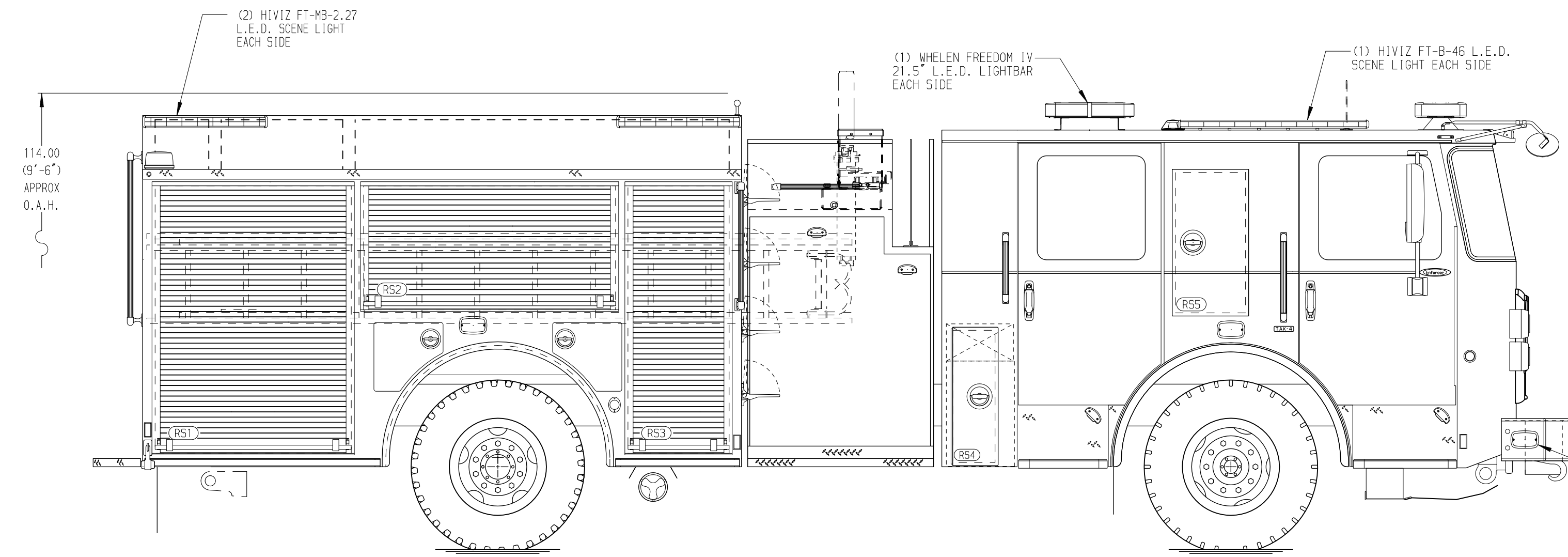
GENERATOR
 Generator Not Required

FOAM SYSTEM
 Husky 3 Single Agent Foam System

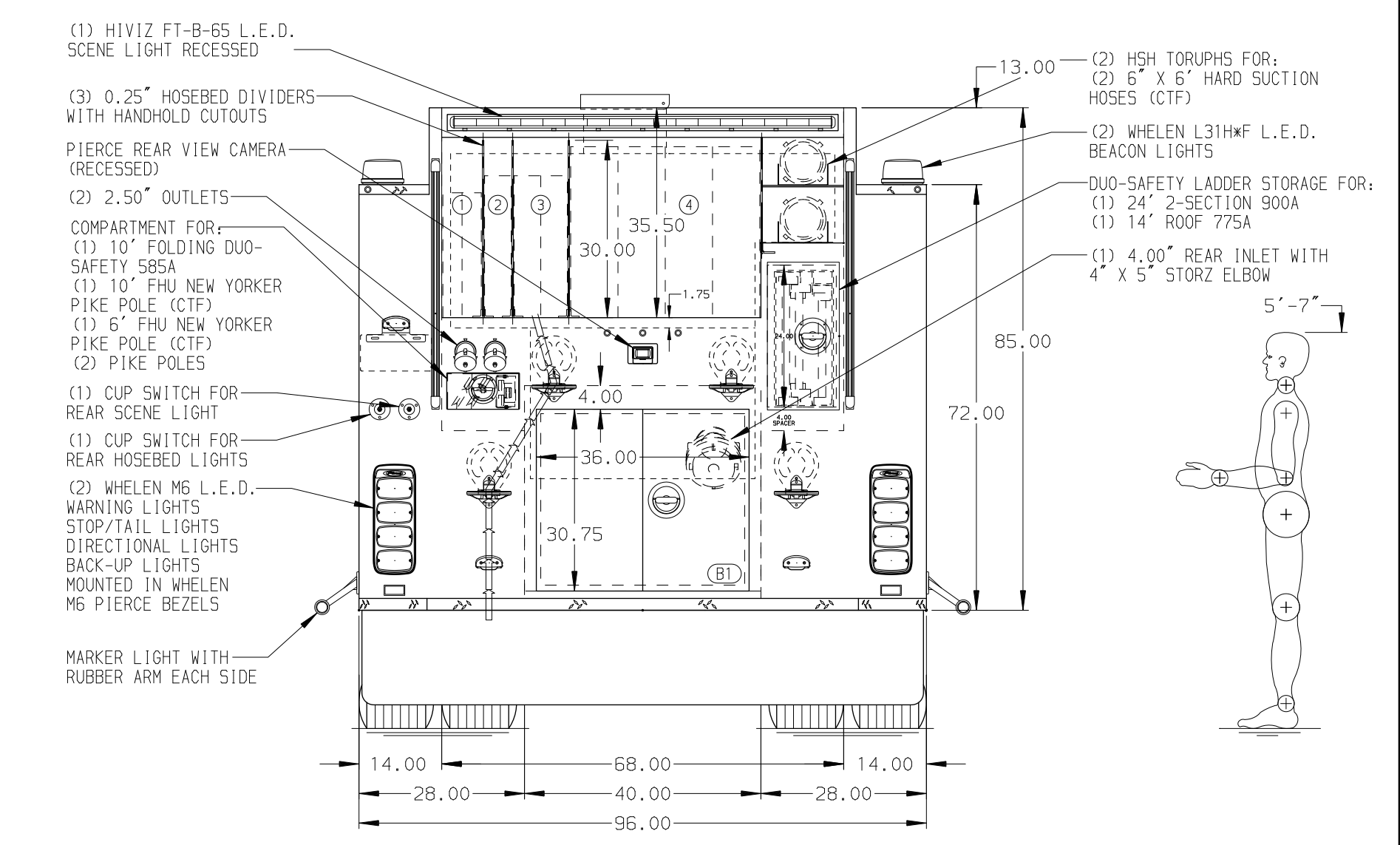
SAFETY
 Side Roll and Frontal Impact Protection

NOTE
 DIMENSIONS SHOWN ARE APPROXIMATE AND ARE SUBJECT TO MINOR DEVIATIONS AS MAY OCCUR OR BE NECESSARY IN CONSTRUCTION. MINOR DETAILS NOT SHOWN.

- 1.50" OUTLET WITH 2.00" PLUMBING AND SWIVEL LOCATED TOP OF LEFT BUMPER
- 20A SHORELINE RECEPTACLE WITH KUSMAUL SUPER AUTO-EJECT LOCATED ON DRIVER SIDE PUMP PANEL
- AIR INLET/OUTLET WITH DISCONNECT FITTING LOCATED ON THE DRIVER SIDE PUMP PANEL
- BATTERY CHARGER LOCATED PER ORDER
- BATTERY CHARGE INDICATOR LOCATED ON DRIVER SEAT RISER
- TWELVE ADJUSTABLE SHELVES LOCATED PER ORDER
- ONE FLOOR MOUNTED SLIDE-OUT TRAY LOCATED PER ORDER
- ONE ALUMINUM SWING-OUT TOOLBOARD LOCATED PER ORDER
- ONSPOT AUTOMATIC TIRE CHAINS
- TWO 15/20A 3-WIRE RECEPTACLES LOCATED PER ORDER



- HOSEBED CAPACITIES**
- 400' OF 1.75" D.J.POLY HOSE
 - 200' OF 2.50" D.J.POLY HOSE
 - 200' OF 2.50" D.J.POLY HOSE (PRE-CONNECT) 200' OF 2.50" D.J.POLY HOSE (DEADLAY)
 - 1000' OF 5.00" D.J.POLY HOSE



		MANUFACTURING INC.		JOB NO.	41464
				SCALE	DATE
				1:24	
				DRAWN BY	24JUL25
				SJM	
				CHECKED BY	25JUL25
				MMF	
				SHEET SIZE	SHEET NO.
				D	1 OF 1

REV	DATE	BY	CH	ENFORCER
1	10OCT25	MPM	JGO	CHASSIS DATA
2	02OCT25	MPM	JGO	MAKE
3	29AUG25	SJM	JGO	PIERCE
4	25JUL25	SJM	MMF	MODEL

TITLE	Pierce Pumper Approval Drawing
FOR	Charleston Fire Department
DWG NO.	41464AD