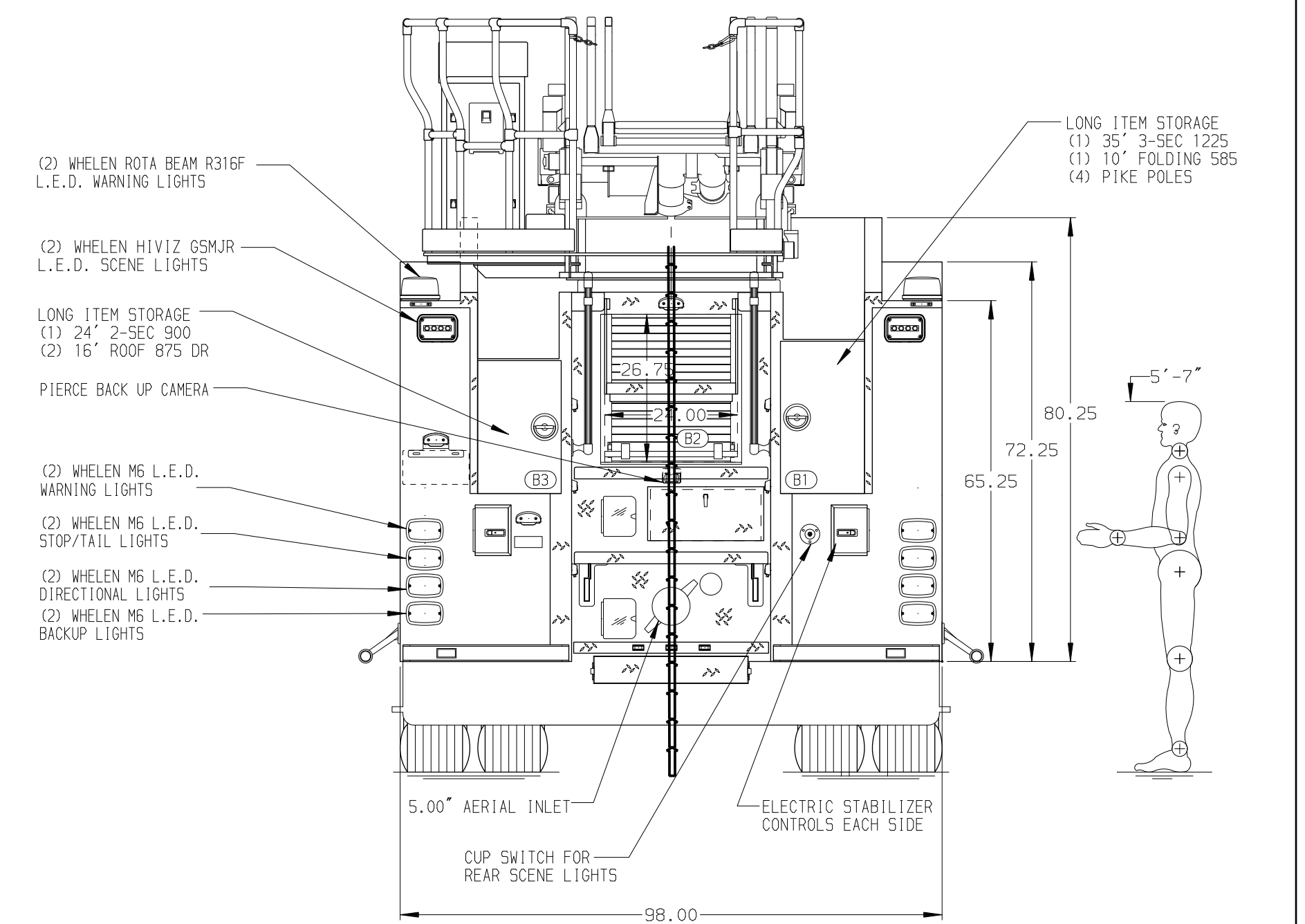
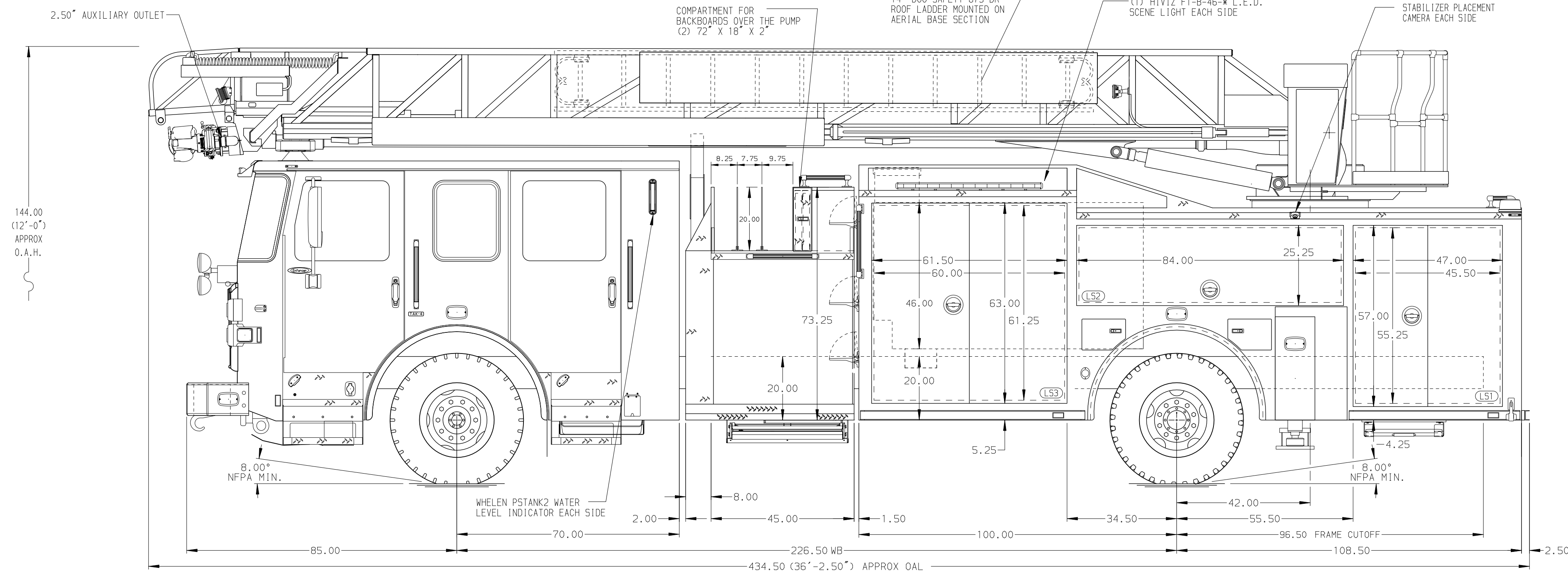


BODY	TOTAL TANK CAPACITY
75' HAL Aluminum Body	500 Gallon Poly Tank
COMPT, LEFT SIDE FRONT	WATER CAPACITY
Full Height Lap Forward	500 Gallons of Water
COMPT, LEFT SIDE REAR	FOAM CELL CAPACITY
Full Height Lap Rearward	Foam Cell Not Required
COMPT, RIGHT SIDE FRONT	FOAM SYSTEM
Full Height Lap Forward	Foam System Not Required
COMPT, RIGHT SIDE REAR	
Full Height Lap Rearward	



CHASSIS Enforcer Chassis ENGINE 510 HP Paccar MX13 Engine	CAB 7000 Enforcer Cab BUMPER 16" Extended Painted Steel	ELECTRICAL SYSTEM MUX Wired TRANSMISSION ALLison 6th Gen, 4000 EVS P	AXLE, FRONT, CUSTOM 22,800 Lb TAK-4 Axle AXLE, REAR 33,500 Lb Meritor Axle	PUMPHOUSE 45" Control Zone Side Mount PUMP 1500 GPM Waterous CSU	CROSSLAYS, 1.50" (2) 1.50" Standard Capacity CROSSLAYS, 2.50" (1) 2.50" Standard Capacity	SPEEDLAYS Speedlays Not Required GENERATOR Generator Not Required	-	-
--	--	---	---	---	--	--	---	---

NOTE DIMENSIONS SHOWN ARE APPROXIMATE AND ARE SUBJECT TO MINOR DEVIATIONS AS MAY OCCUR OR BE NECESSARY IN CONSTRUCTION. MINOR DETAILS NOT SHOWN.	1. NO LIMITED RETRACTION REQUIRED	11. TWO PAC TRAC ON COMPARTMENT BACK WALL.
	2. ONE 1.50 OUTLET WITH 2.00 PIPING AND SWIVEL LOCATED TOP RIGHT BUMPER DECK	12. TWO 120V RECEPTACLES PER ORDER
3. SHORELINE RECEPTACLE WITH KUSSMALL SUPER AUTO-EJECT LOCATED ON DRIVER SIDE CAB STEP	13. RING LIGHTING ON AERIAL LADDER	15. TWO PULL STRAPS PER ORDER
4. AIR INLET WITH DISCONNECT COUPLING IN THE DRIVER SIDE STEPPED	14. WHEEL CHOCKS PROVIDED BY FIRE DEPARTMENT	
5. BATTERY CHARGER LOCATED PER ORDER		
6. BATTERY CHARGE INDICATOR LOCATED PER ORDER		
7. EIGHT ADJUSTABLE SWIVELS LOCATED PER ORDER		
8. TWO FLOOR MOUNTED SLIDE-OUT TRAYS LOCATED PER ORDER		
9. 1.50" RAISED AERIAL PEDESTAL		
10. 1500 GPM HIGH FLOW WATERWAY		

				JOB NO.	41515
				SCALE	1:24
CHASSIS DATA TITLE 75' HAL AERIAL LADDER AND BODY ASSEMBLY FOR DELAND FIRE DEPARTMENT DELAND, FL				DRAWN BY	LWE
				CHECKED BY	JLO
ENFORCER REV DATE BY CH				SHEET SIZE	D
				SHEET NO.	1 OF 1
DWG NO. 41515AD				DATE	05MAY25
				DATE	16MAY25