

**PUMPER BODY**  
Medium Aluminum 2nd Gen Pumper

**CHASSIS**  
Enforcer Chassis

**ELECTRICAL SYSTEM**  
MUX

**CHASSIS AXLE, FRONT, CUSTOM**  
19,500 Lb TAK-4 AxLe

**AXLE, REAR**  
27,000 Lb Dana AxLe

**ENGINE**  
510 HP Paccar MX13 Engine

**TRANSMISSION**  
Allison 6th Gen, 4000 EVS P

**BUMPER**  
22" Extended Painted Steel

**CAB**  
7010 Enforcer Cab

**BODY TOTAL TANK CAPACITY**  
780 Gallon Poly Tank

**WATER CAPACITY**  
750 Gallons of Water

**FOAM CELL CAPACITY**  
30 Gallon Foam Cell

**COMPT, PUMPER, REAR**  
30.75" FF RollUp Rear Compt

**COMPT, PUMPER, LEFT SIDE**  
152" RollUp Full Height Full Depth

**COMPT, PUMPER, RIGHT SIDE**  
152" RollUp Full Height Front & Rear FDLER

**FIRE SUPPRESSION PUMPHOUSE**  
38" Side Control with Speedlay Module

**PUMP**  
1500 GPM Waterous CSU

**CROSSLAYS, 1.50"**  
Not Required

**CROSSLAYS, 2.00"**  
Not Required

**SPEEDLAYS**  
(2) 1.50" Standard Capacity

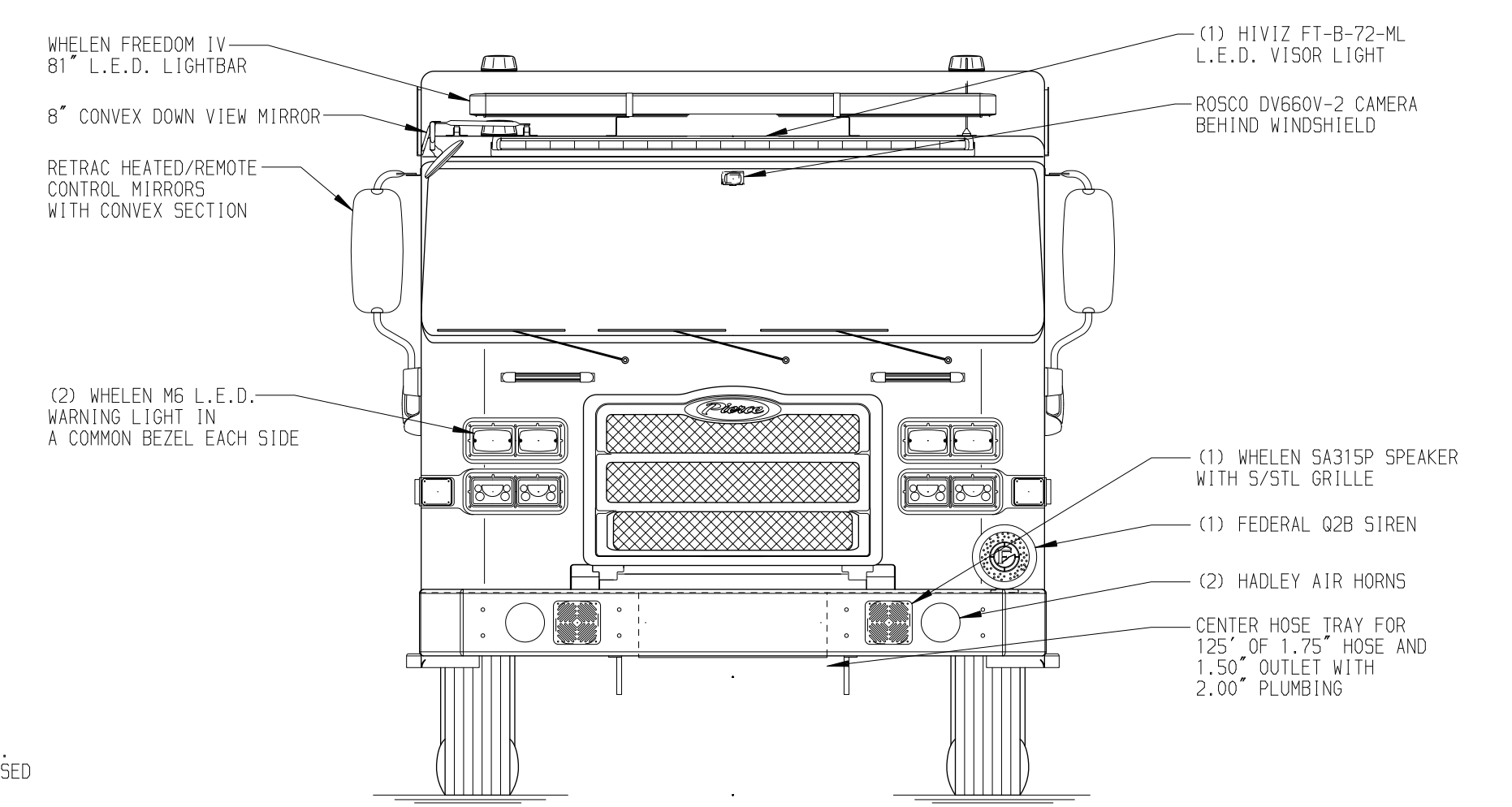
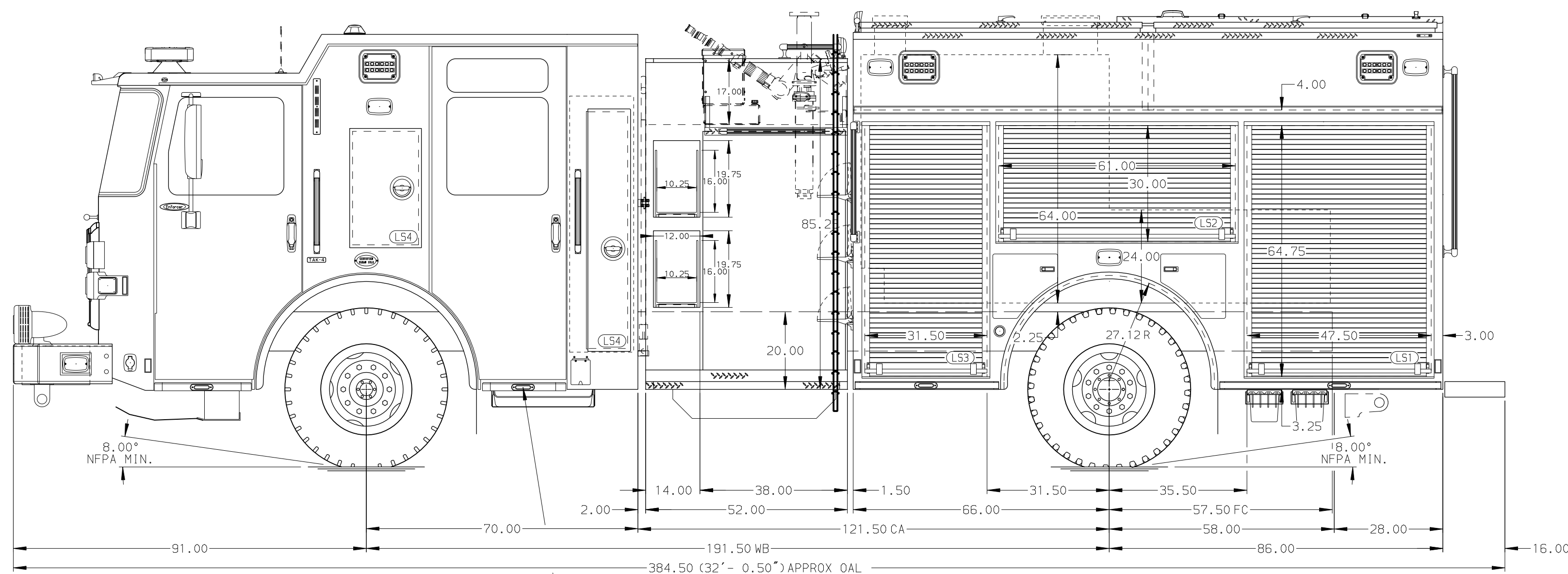
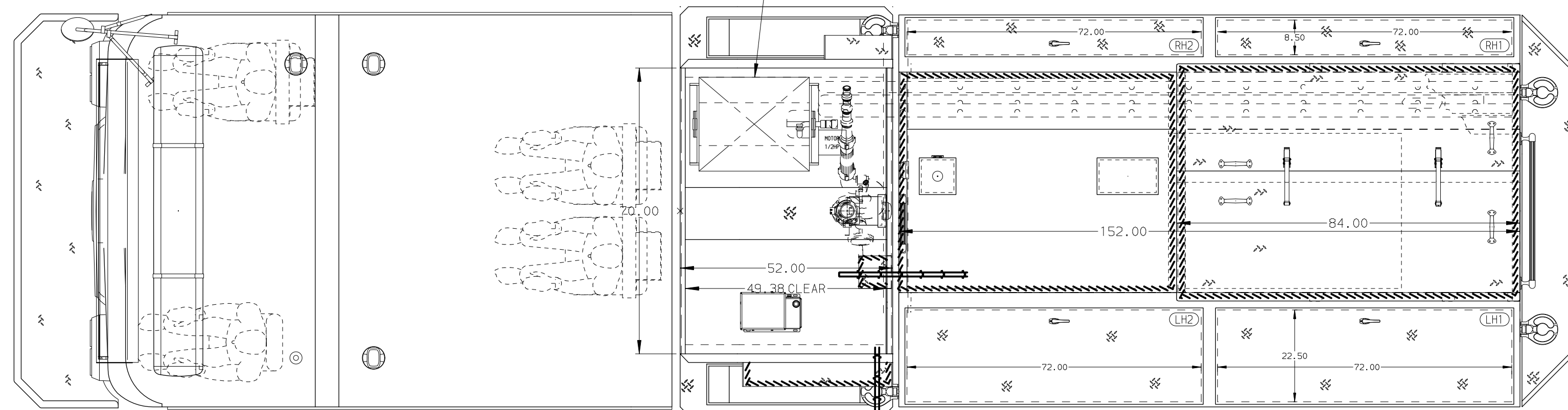
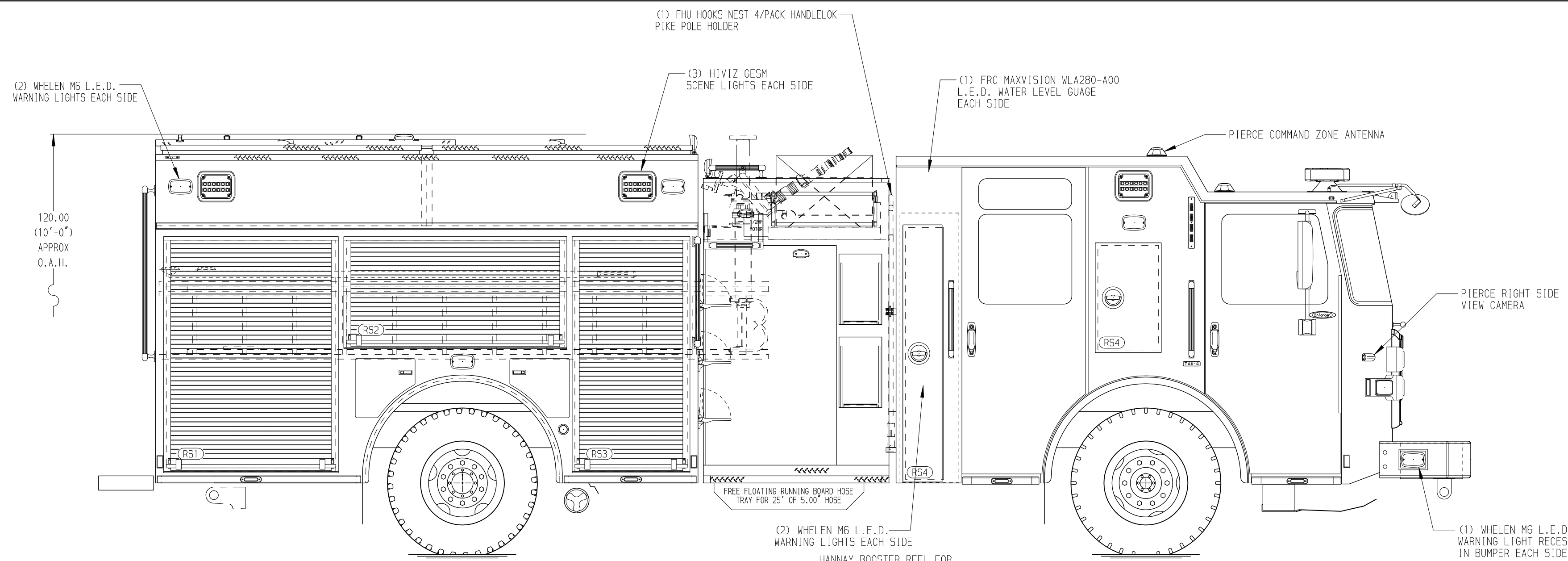
**GENERATOR**  
Generator Not Required

**FOAM SYSTEM**  
Husky 3 Single Agent Foam System

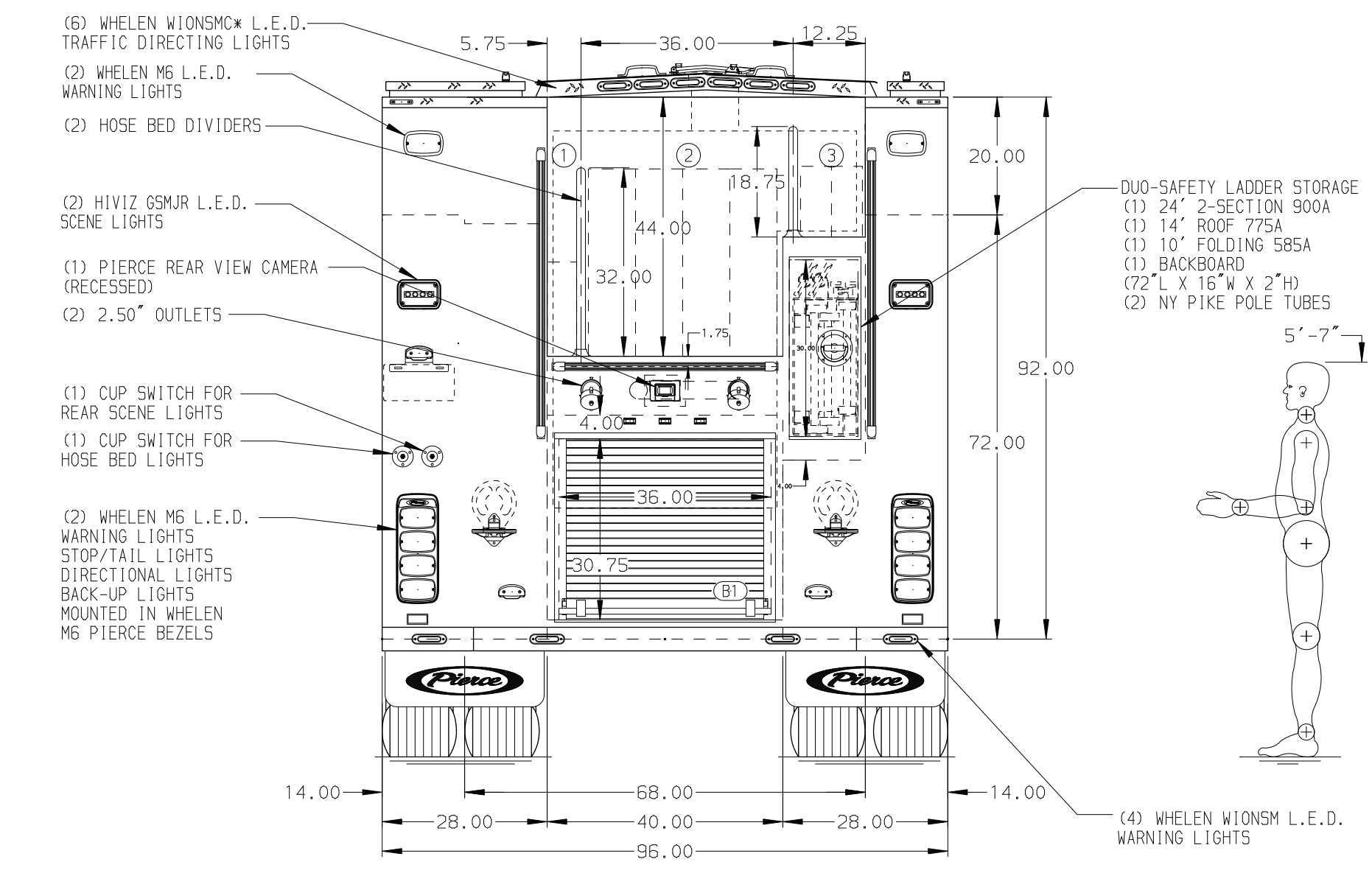
**SAFETY**  
Side Roll and Frontal Impact Protection

**NOTE**  
DIMENSIONS SHOWN ARE APPROXIMATE AND ARE SUBJECT TO MINOR DEVIATIONS AS MAY OCCUR OR BE NECESSARY IN CONSTRUCTION. MINOR DETAILS NOT SHOWN.

- 20A SHORELINE RECEPTACLE WITH KUSSMAUL SUPER AUTO-EJECT LOCATED ON DRIVER SIDE CAB CORNER
- AIR INLET/OUTLET WITH SHUT OFF VALVE LOCATED ON DRIVER SIDE PUMP PANEL
- BATTERY CHARGER LOCATED BEHIND DRIVER SEAT
- BATTERY CHARGE INDICATOR LOCATED ON DRIVER SEAT RISER
- SIX ADJUSTABLE SHELVES LOCATED PER ORDER
- THREE FLOOR MOUNTED SLIDE-OUT TRAYS LOCATED PER ORDER
- TWO ALUMINUM SWING-OUT TOOLBOARDS LOCATED PER ORDER
- FOUR ALUMINUM PEGBOARDS LOCATED PER ORDER
- THREE 20A 3-WIRE RECEPTACLES LOCATED PER ORDER



- HOSEBED CAPACITIES**
- 200' OF 2.50" KEY COMBAT SNIPER HOSE
  - 1100' OF 5.00" D.J. POLY HOSE
  - 300' OF 3.00" KEY COMBAT SNIPER HOSE



		JOB NO.	41558
		SCALE	DATE
		1:24	
TITLE		Pierce Pumper Approval Drawing	
FOR		Red Oak Fire Department	
DRAWN BY		SJM	06AUG25
CHECKED BY		MMF	7AUG25
SHEET SIZE		D	SHEET NO.
DWG NO.		41558AD	1 OF 1

REV	DATE	BY	CH	ENFORCER
01MAY26	MPM	ZWE		CHASSIS DATA
22JAN26	MPM	CSH		MAKE
2DEC25	MPM			PIERCE
16OCT25	KLE	CSH		MODEL