

**PUMPER BODY**  
 Medium Aluminum 2nd Gen Pumper  
**CHASSIS**  
 EnForcer Chassis  
**ELECTRICAL SYSTEM**  
 Hard Wired

**CHASSIS AXLE, FRONT, CUSTOM**  
 19,500 Lb TAK-4 Axle  
**AXLE, REAR**  
 27,000 Lb Dana Axle  
**ENGINE**  
 510 HP Paccar MX13 Engine  
**TRANSMISSION**  
 Allison 6th Gen, 4000 EVS P  
**BUMPER**  
 22" Extended Underslung Painted Steel  
**CAB**  
 7000 Enforcer Cab

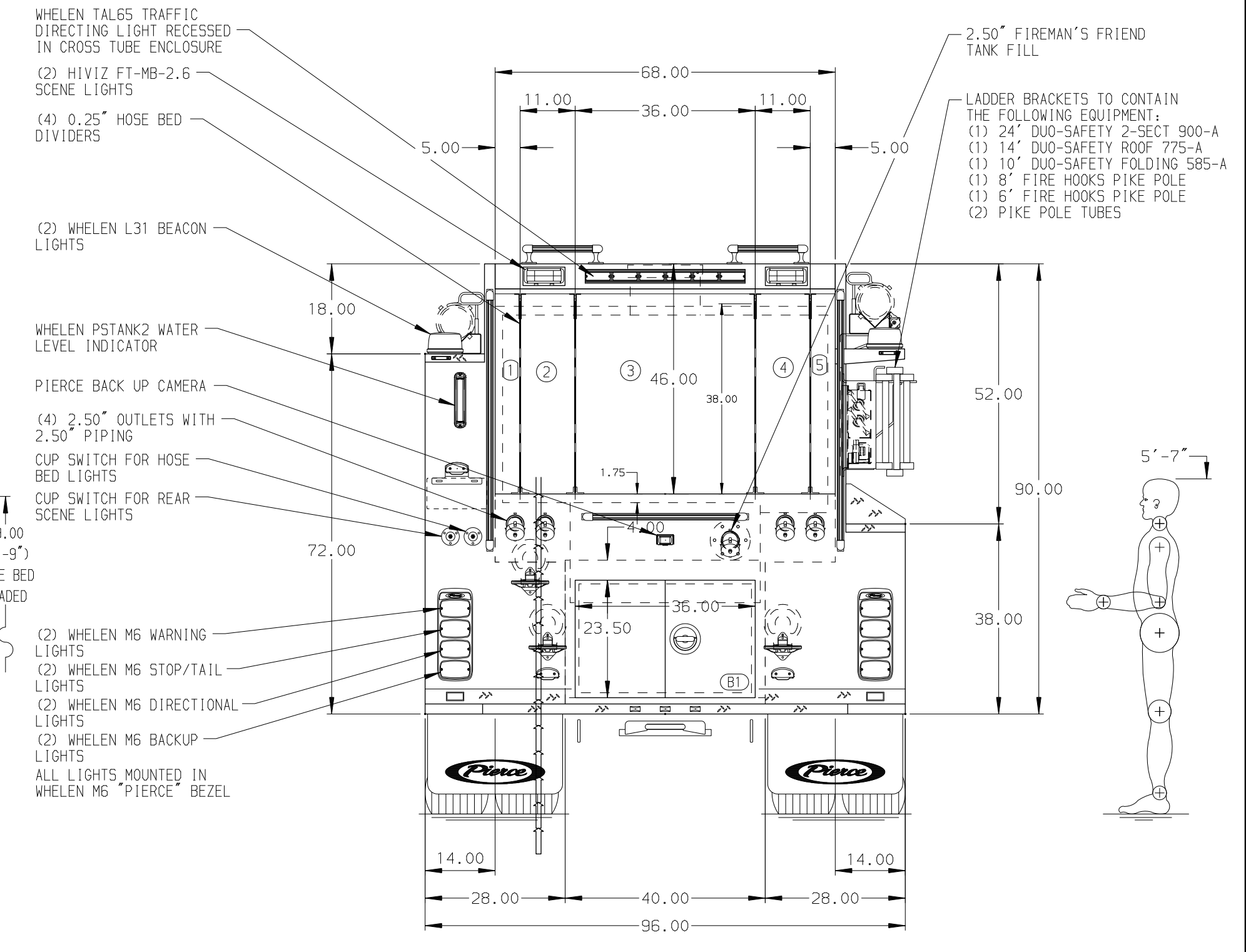
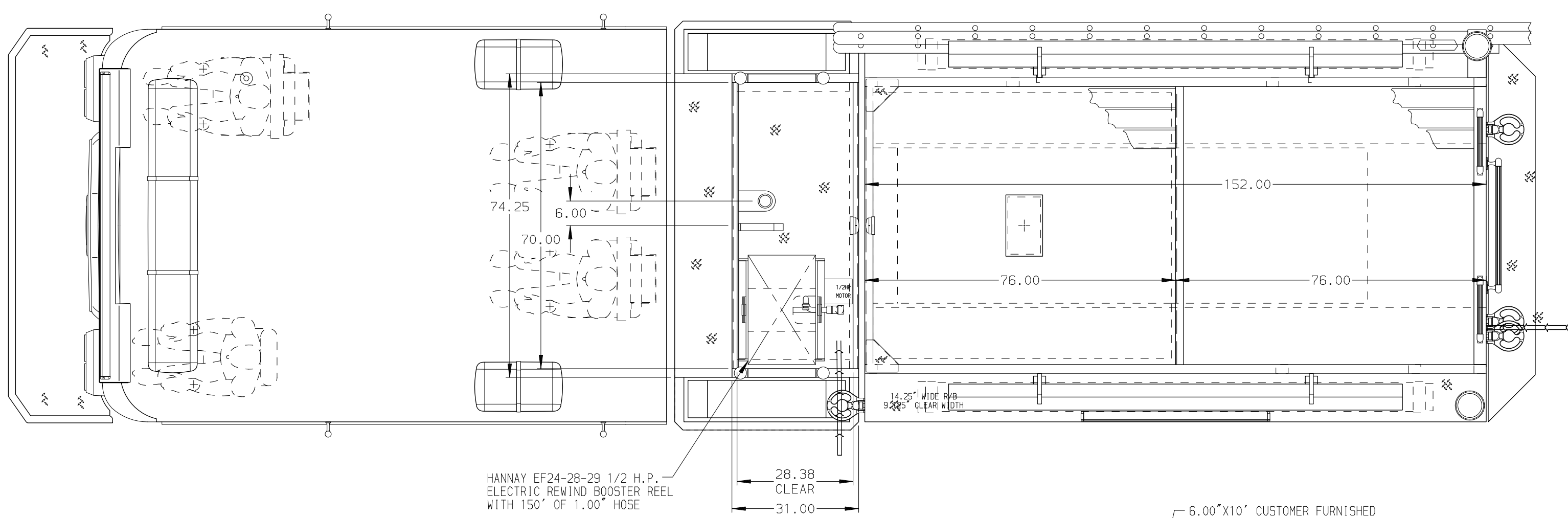
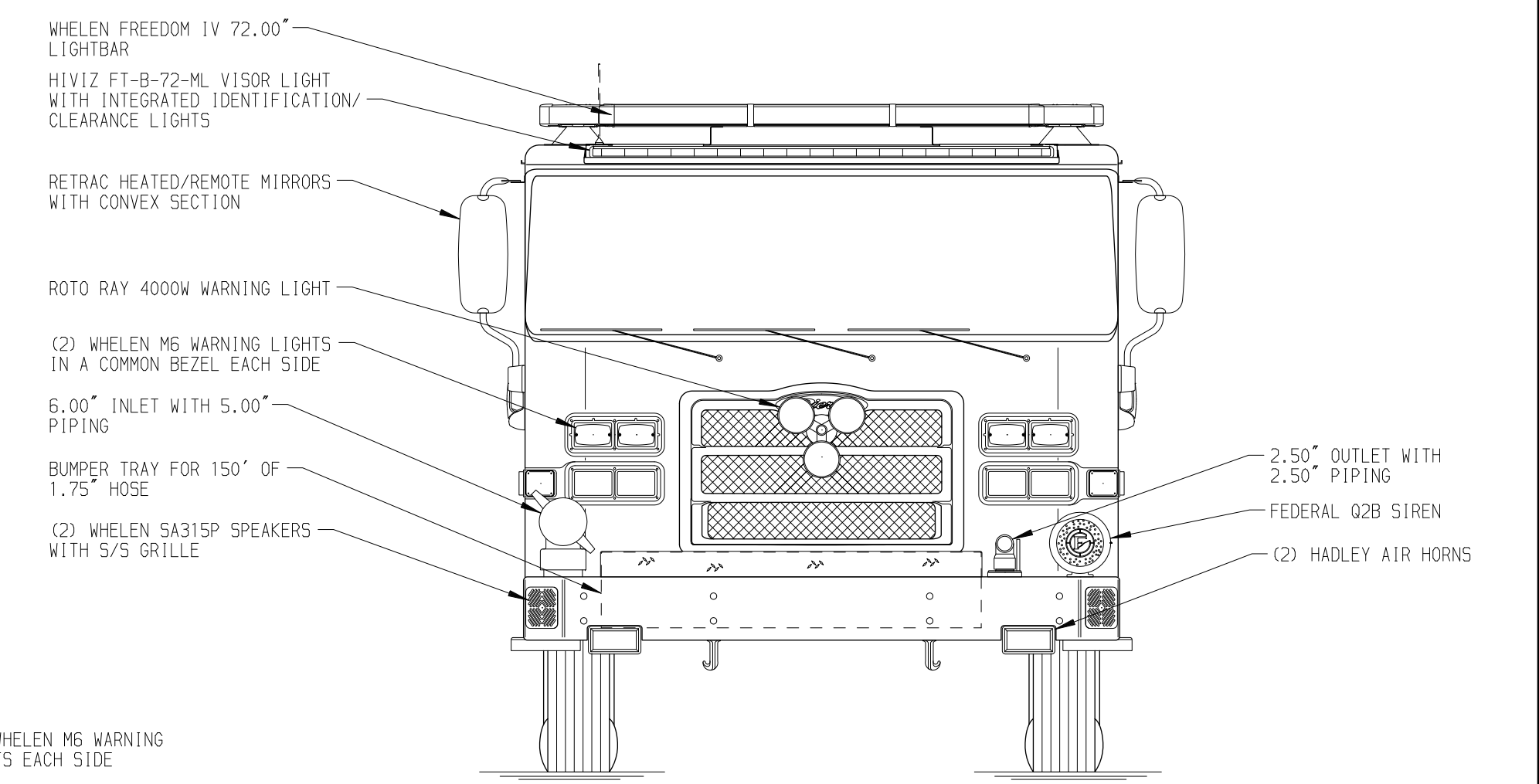
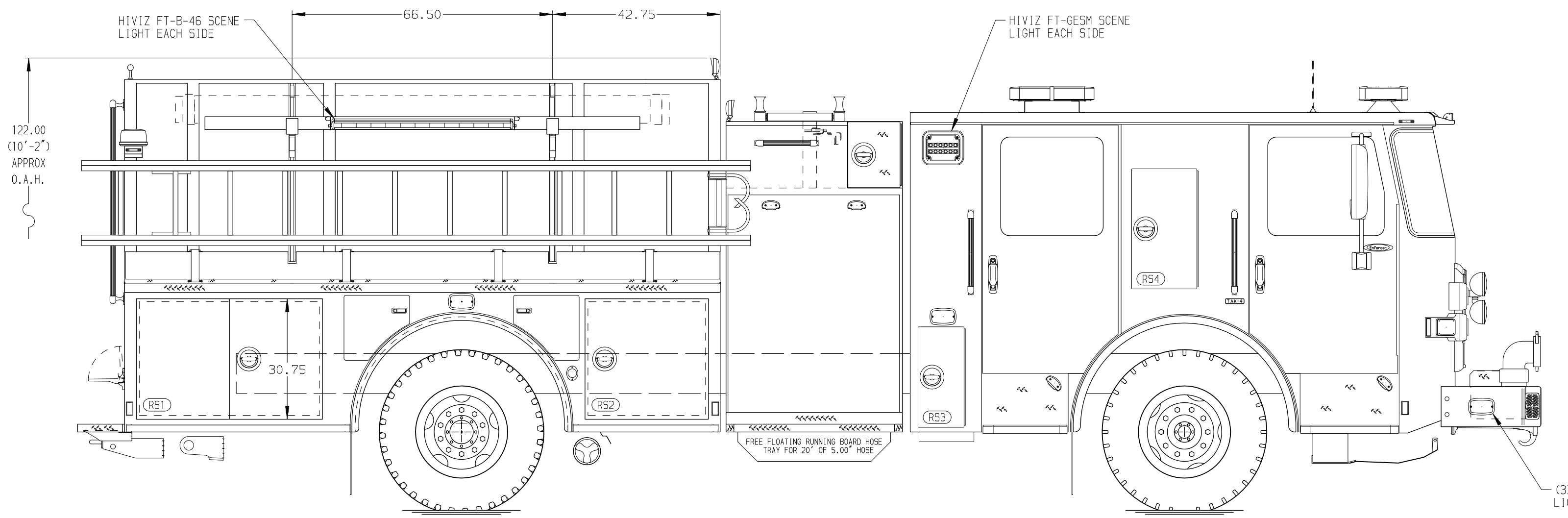
**BODY TOTAL TANK CAPACITY**  
 1000 Gallon New York Style Poly Tank  
**WATER CAPACITY**  
 1000 Gallons of Water  
**FOAM CELL CAPACITY**  
 Foam Cell Not Required  
**COMPT, PUMPER, REAR**  
 23.50" FF Double Door Rear Compt  
**COMPT, PUMPER, LEFT SIDE**  
 152" Lap Full Height Front & Rear FDLER  
**COMPT, PUMPER, RIGHT SIDE**  
 152" Lap Low FDLER

**FIRE SUPPRESSION PUMPHOUSE**  
 45" Control Zone Side Mount  
**PUMP**  
 1500 GPM Hale QMAX  
**CROSSLAYS, 1.50"**  
 1.50" Crosslays Not Required  
**CROSSLAYS, 2.50"**  
 2.50" Crosslay Not Required  
**SPEEDLAYS**  
 SpeedLays Not Required  
**GENERATOR**  
 Generator Not Required  
**FOAM SYSTEM**  
 Foam System Not Required

**SAFETY**  
 Side Roll and Frontal Impact Protection

**NOTE**  
 DIMENSIONS SHOWN ARE APPROXIMATE AND ARE SUBJECT TO MINOR DEVIATIONS AS MAY OCCUR OR BE NECESSARY IN CONSTRUCTION. MINOR DETAILS NOT SHOWN.

- AIR INLET WITH DISCONNECT FITTING LOCATED PER ORDER
- BATTERY CHARGER LOCATED PER ORDER
- KUSSMAUL 120V SHORELINE RECEPTACLE WITH AUTO EJECT LOCATED PER ORDER
- FIVE FULL WIDTH/DEPTH ADJUSTABLE SHELVES WITH SIDES LOCATED PER ORDER
- TWO FLOOR MOUNTED SLIDE-OUT TRAYS WITH SIDES LOCATED PER ORDER
- ONE SWING-OUT TOOLBOARD WITH NO HOLES LOCATED PER ORDER
- TOOLBOARD MOUNTED ON BACK WALL OF COMPARTMENT LOCATED PER ORDER
- THREE 120V DUPLEX RECEPTACLES LOCATED IN CAB PER ORDER
- FOUR 4-PLACE RECEPTACLE BOXES IN REAR BODY COMPARTMENT PER ORDER



- HOSEBED CAPACITIES**
- 200' OF 1.75" D.J. POLY HOSE
  - 400' OF 2.50" D.J. POLY HOSE
  - 1000' OF 5.00" RUBBER HOSE
  - 400' OF 2.50" D.J. POLY HOSE
  - 200' OF 1.75" D.J. POLY HOSE

		JOB NO.	41605
		SCALE	DATE
TITLE	Pierce Pumper Approval Drawing		
FOR	Bandys Crossroads Volunteer Fire Department		
DWG NO.	41605AD		
REV	DATE	BY	CH
02DEC25	BST	JGO	PIERCE
24OCT25	KLE	JGO	MODEL
			ENFORCER
CHECKED BY	MMF	18SEP25	
SHEET SIZE	D	SHEET NO.	1 OF 1