

PUMPER BODY
Medium Aluminum 2nd Gen Pumper

CHASSIS
EnForcer Chassis

ELECTRICAL SYSTEM
MUX

CHASSIS AXLE, FRONT, CUSTOM
19,500 Lb TAK-4 Axle

AXLE, REAR
27,000 Lb Dana Axle

ENGINE
510 HP Paccar MX13 Engine

TRANSMISSION
Allison 6th Gen, 4000 EVS P

BUMPER
16" Extended Stainless Steel

CAB
7010 EnForcer Cab

BODY TOTAL TANK CAPACITY
750 Gallon Poly Tank

WATER CAPACITY
730 Gallons of Water

FOAM CELL CAPACITY
20 Gallon Foam Cell

COMPT, PUMPER, REAR
37.75" FF RollUp Rear Compt

COMPT, PUMPER, LEFT SIDE
152" RollUp Full Height Front & Rear FDLR

COMPT, PUMPER, RIGHT SIDE
152" RollUp Full Height & Depth Front & Rear B1B

FIRE SUPPRESSION PUMPHOUSE
52" Control Zone Side Mount

PUMP
1500 GPM Waterous CSU

CROSSLAYS, 1.50"
(2) 1.50" Standard Capacity

CROSSLAYS, 2.50"
(1) 2.50" Standard Capacity

SPEEDLAYS
SpeedLays Not Required

GENERATOR
Generator Not Required

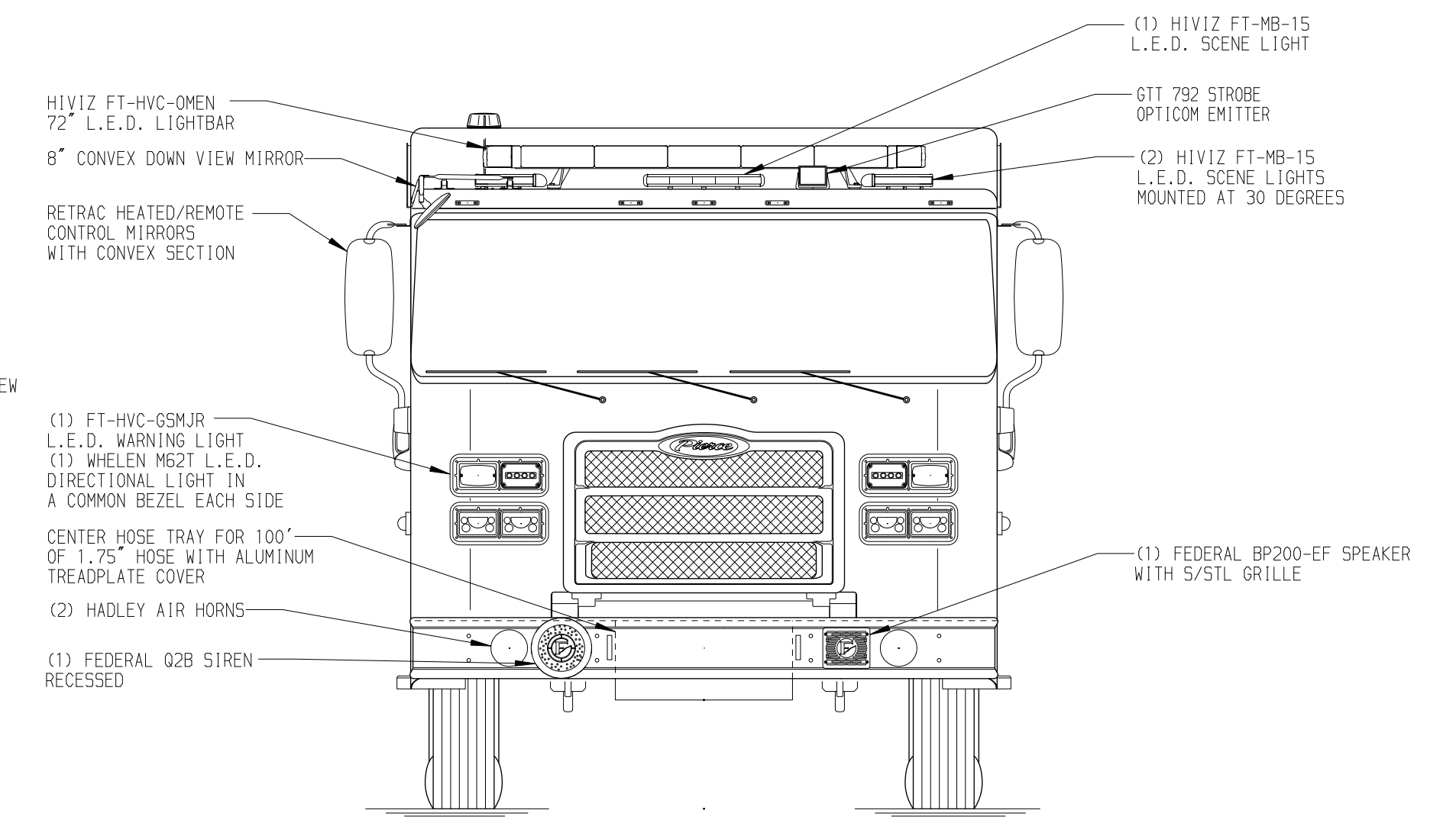
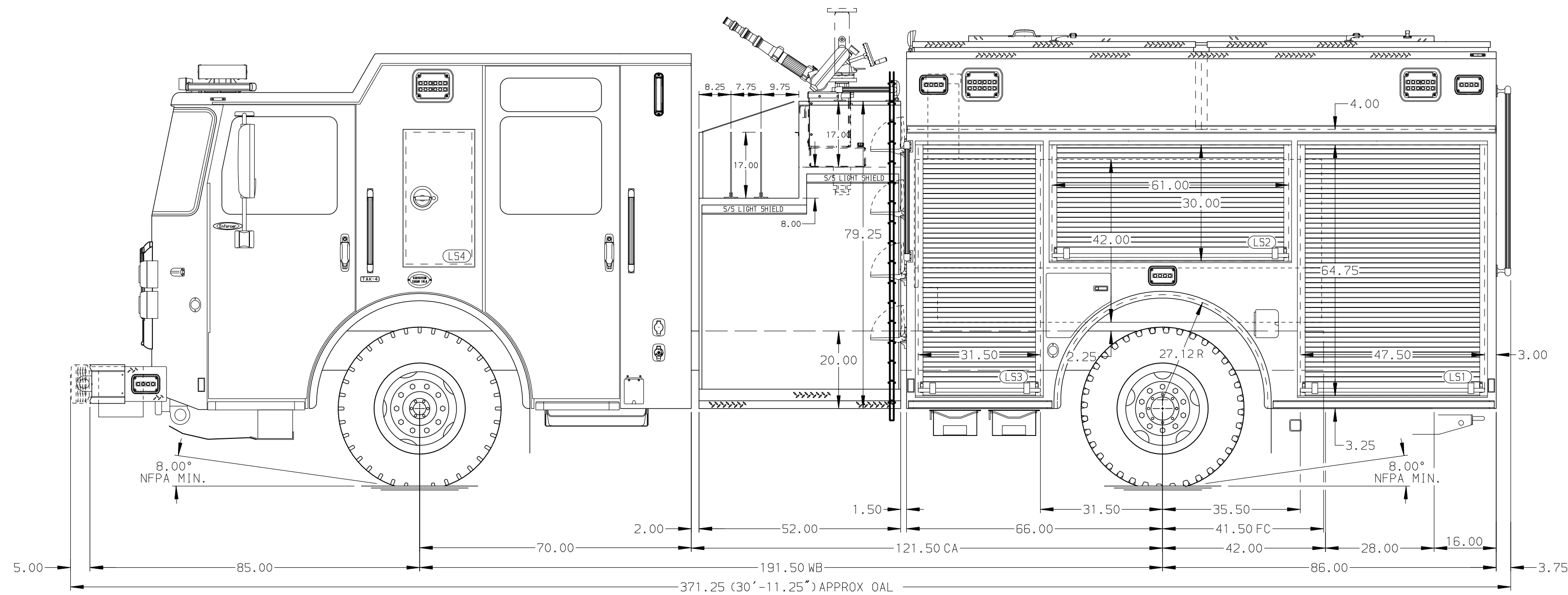
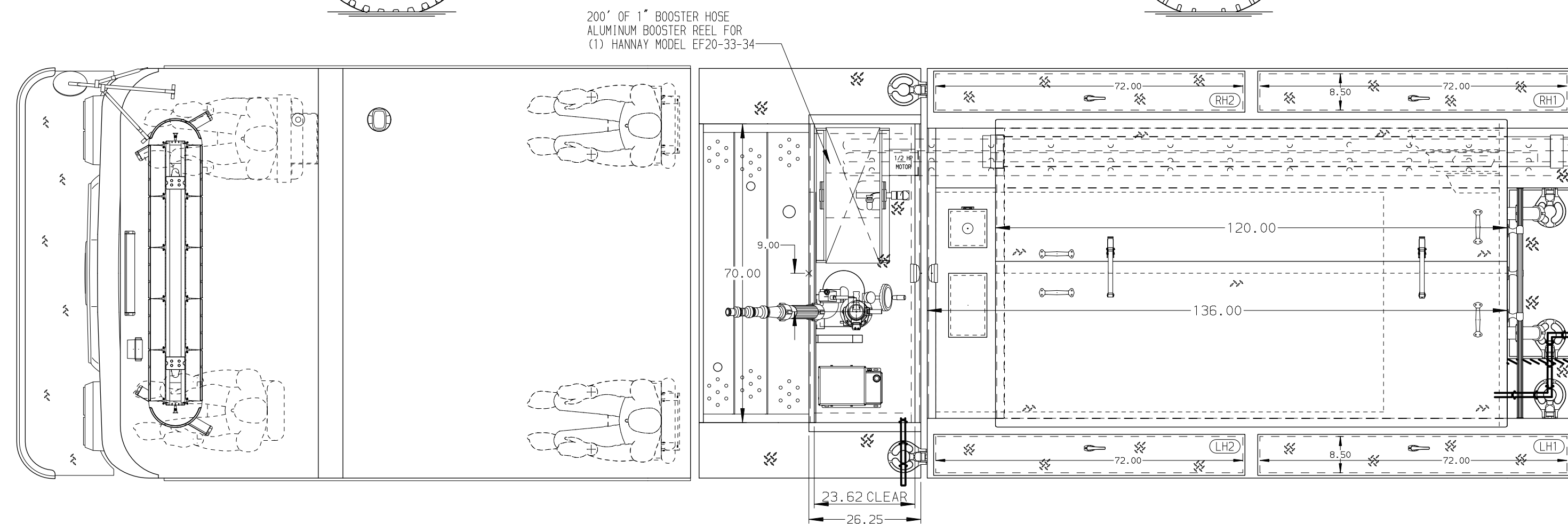
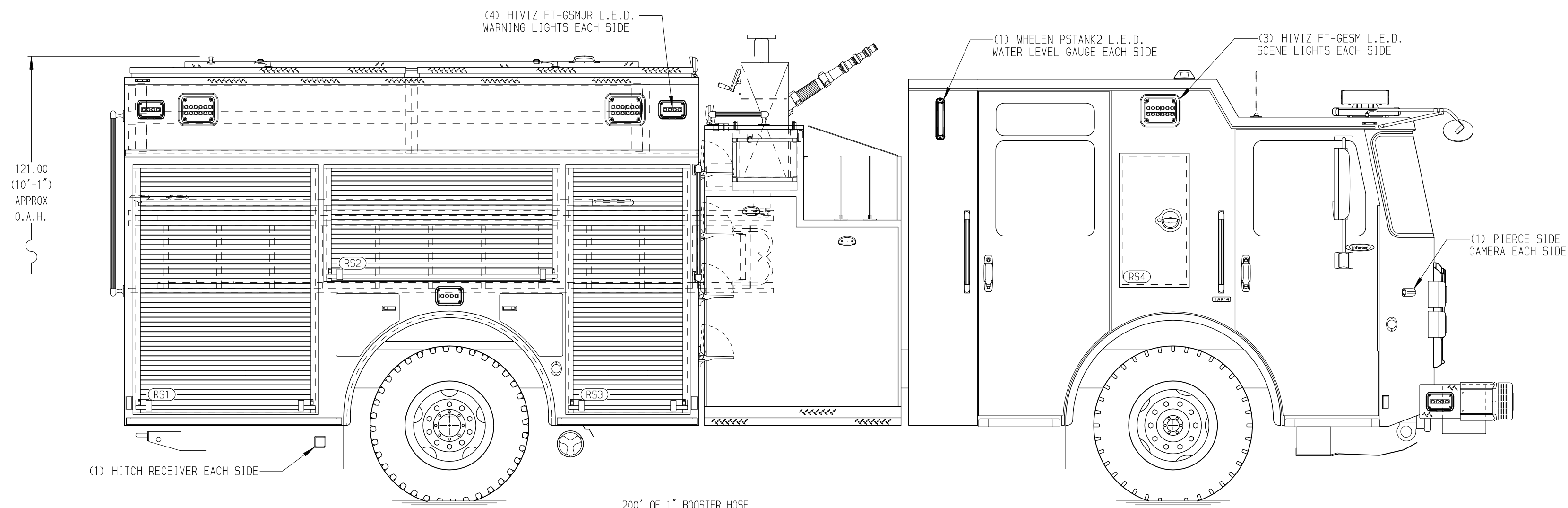
FOAM SYSTEM
Husky 3 Single Agent Foam System

SAFETY

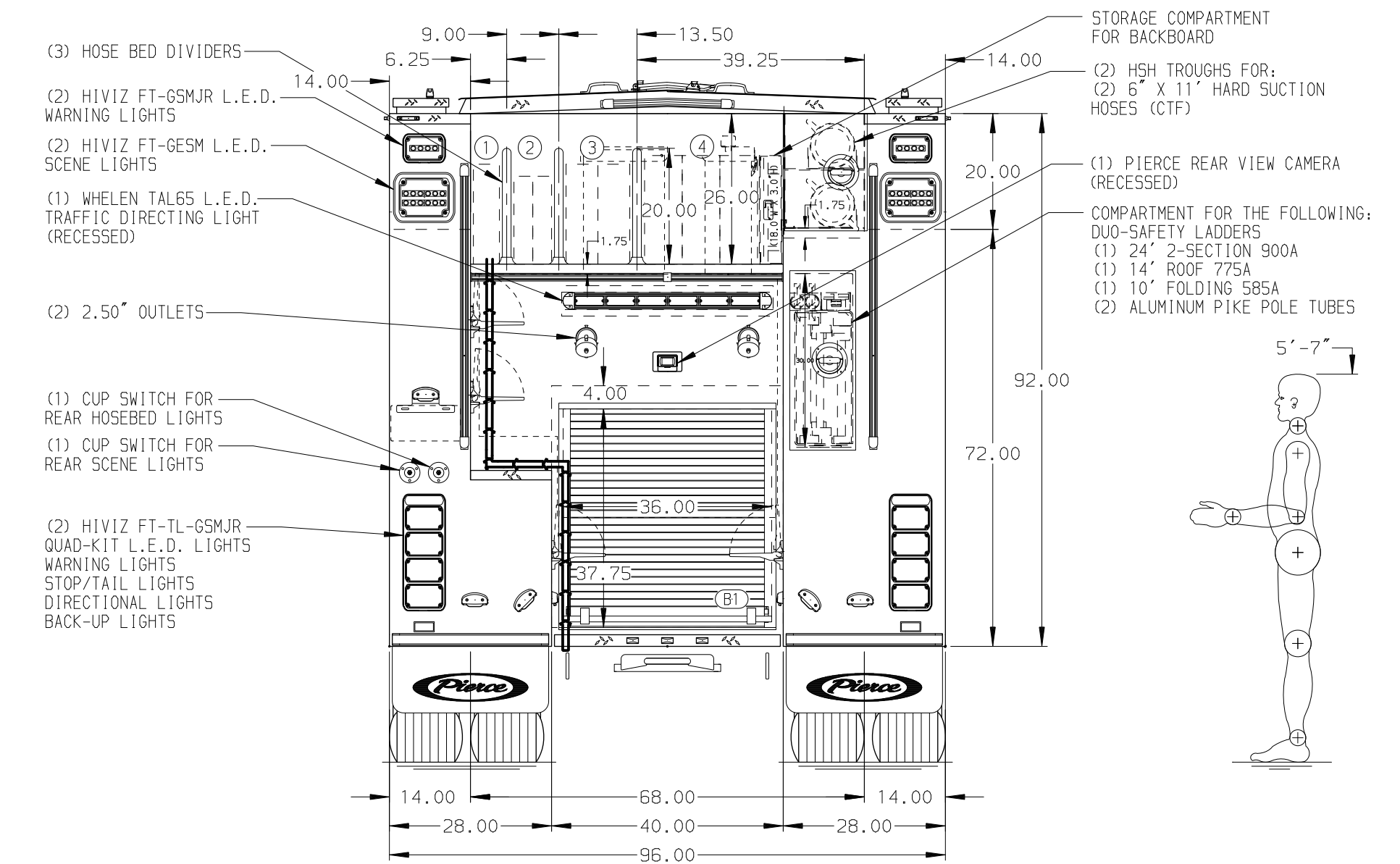
Not Required, Side Roll and Frontal Impact Protection

NOTE
DIMENSIONS SHOWN ARE APPROXIMATE AND ARE SUBJECT TO MINOR DEVIATIONS AS MAY OCCUR OR BE NECESSARY IN CONSTRUCTION. MINOR DETAILS NOT SHOWN.

- ONE 1.50 OUTLET WITH 2.00 PIPING AND SWIVEL LOCATED IN CENTER BUMPER TRAY
- 20A SHORELINE RECEPTACLE WITH KUSSMAUL SUPER AUTO-EJECT LOCATED ON DRIVER SIDE CAB CORNER
- AIR INLET WITH KUSSMAUL AIR EJECT RECESSED ON DRIVER SIDE CAB CORNER
- BATTERY CHARGER LOCATED PER ORDER
- SIX ADJUSTABLE SHELVES LOCATED PER ORDER
- FIVE SLIDE-OUT TRAY LOCATED PER ORDER
- TWO SWING-OUT ALUMINUM TOOLBOARDS LOCATED PER ORDER
- ONE SLIDE-OUT ALUMINUM TOOLBOARD LOCATED PER ORDER
- ONE 15/20A 3-WIRE RECEPTACLE LOCATED PER ORDER



- HOSEBED CAPACITIES**
- 200' OF 2.50" D.J. POLY HOSE
 - 400' OF 1.75" D.J. POLY HOSE
 - 400' OF 3.00" D.J. POLY HOSE
 - 650' OF 4.00" D.J. POLY HOSE



		JOB NO.	41610
		SCALE	DATE
TITLE	Pierce Pumper Approval Drawing	DRAWN BY	SJM
FOR	Grants Pass Fire Rescue	CHECKED BY	MMF
DWG NO.	41610AD	SHEET SIZE	SHEET NO.
REV	DATE	BY	CH

20NOV25	JWR	GKH	MAKE
22OCT25	JWR	GKH	PIERCE
16OCT25	JWR	GKH	MODEL
REV	DATE	BY	CH