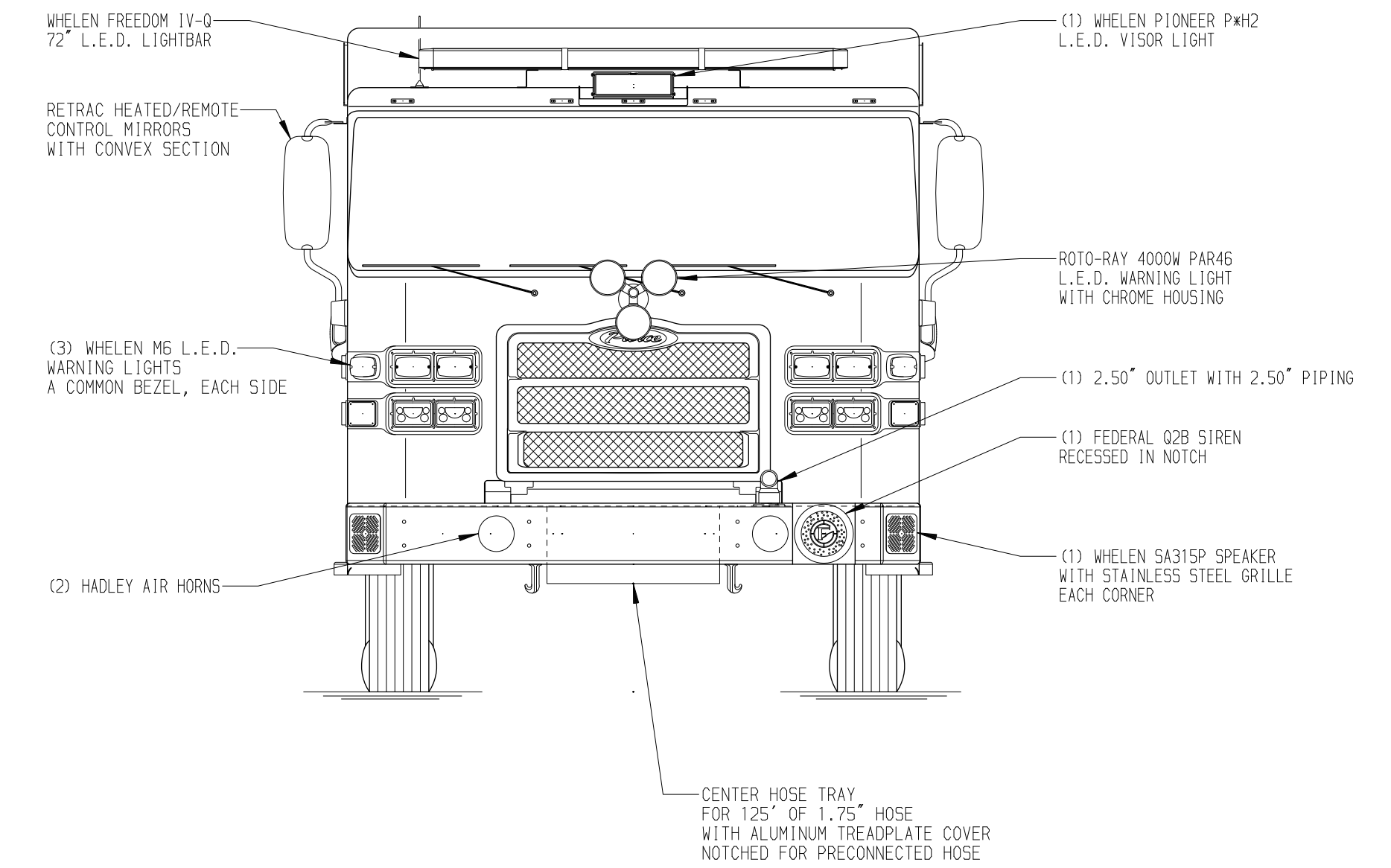
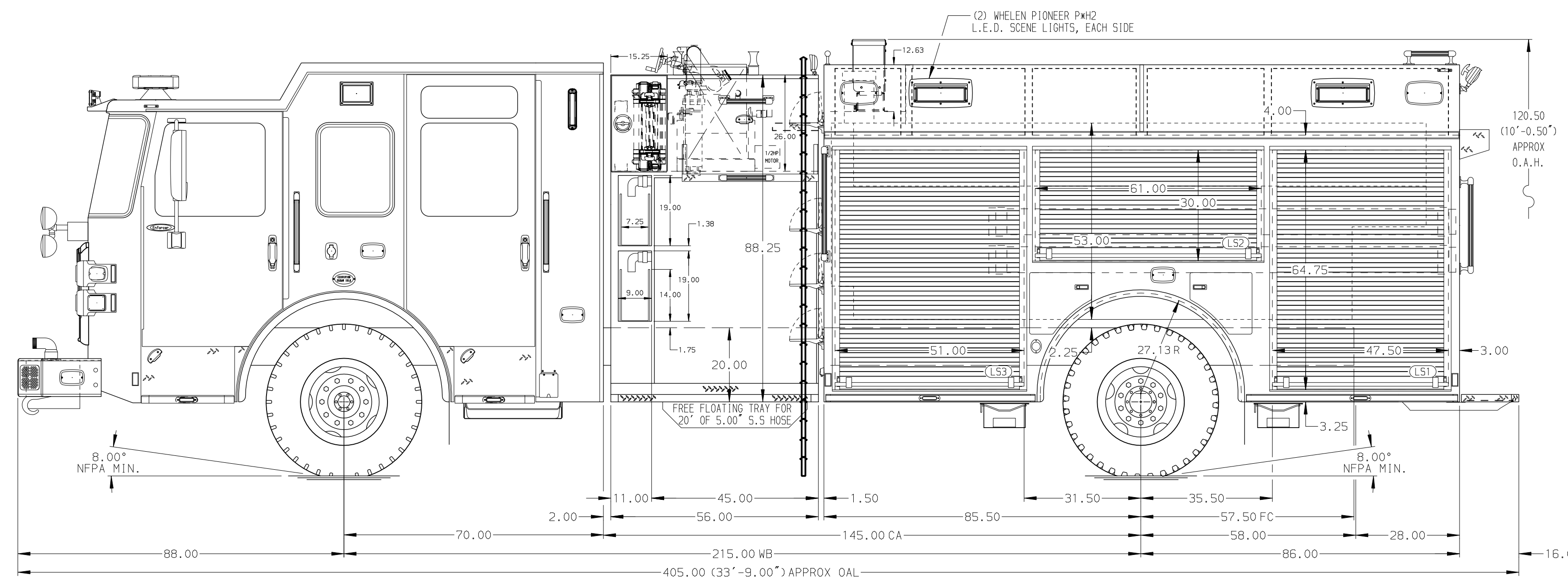
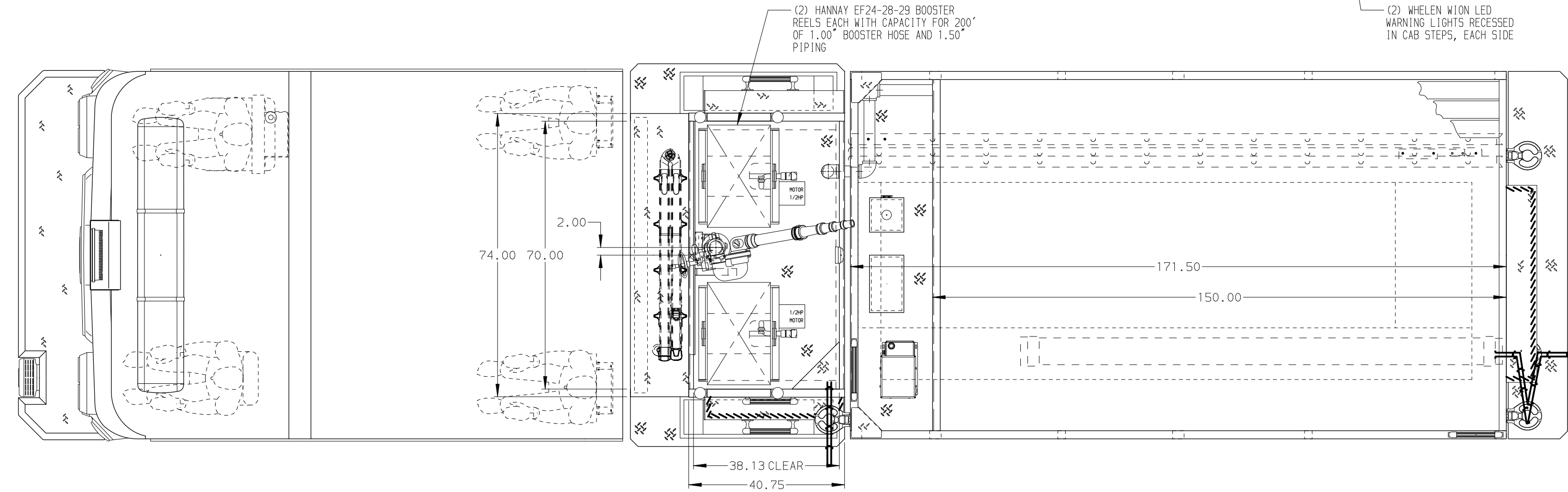
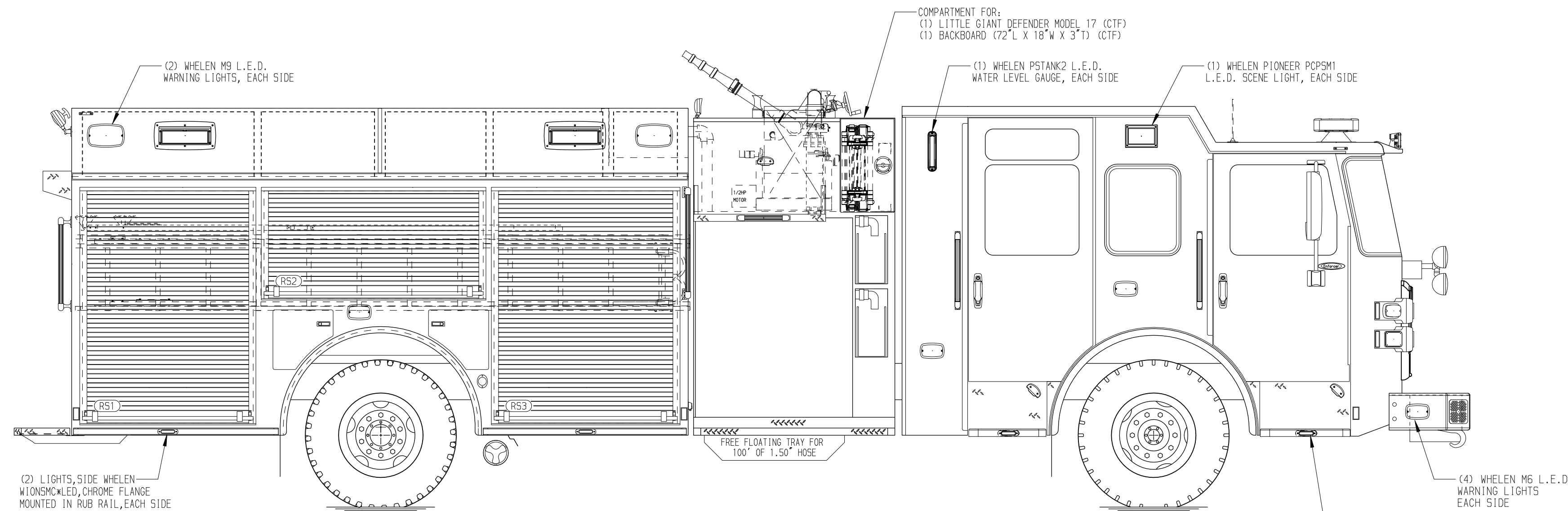


**PUMPER BODY**  
 Long Aluminum 2nd Gen Pumper  
**CHASSIS**  
 EnForcer Chassis  
**ELECTRICAL SYSTEM**  
 Hard Wired

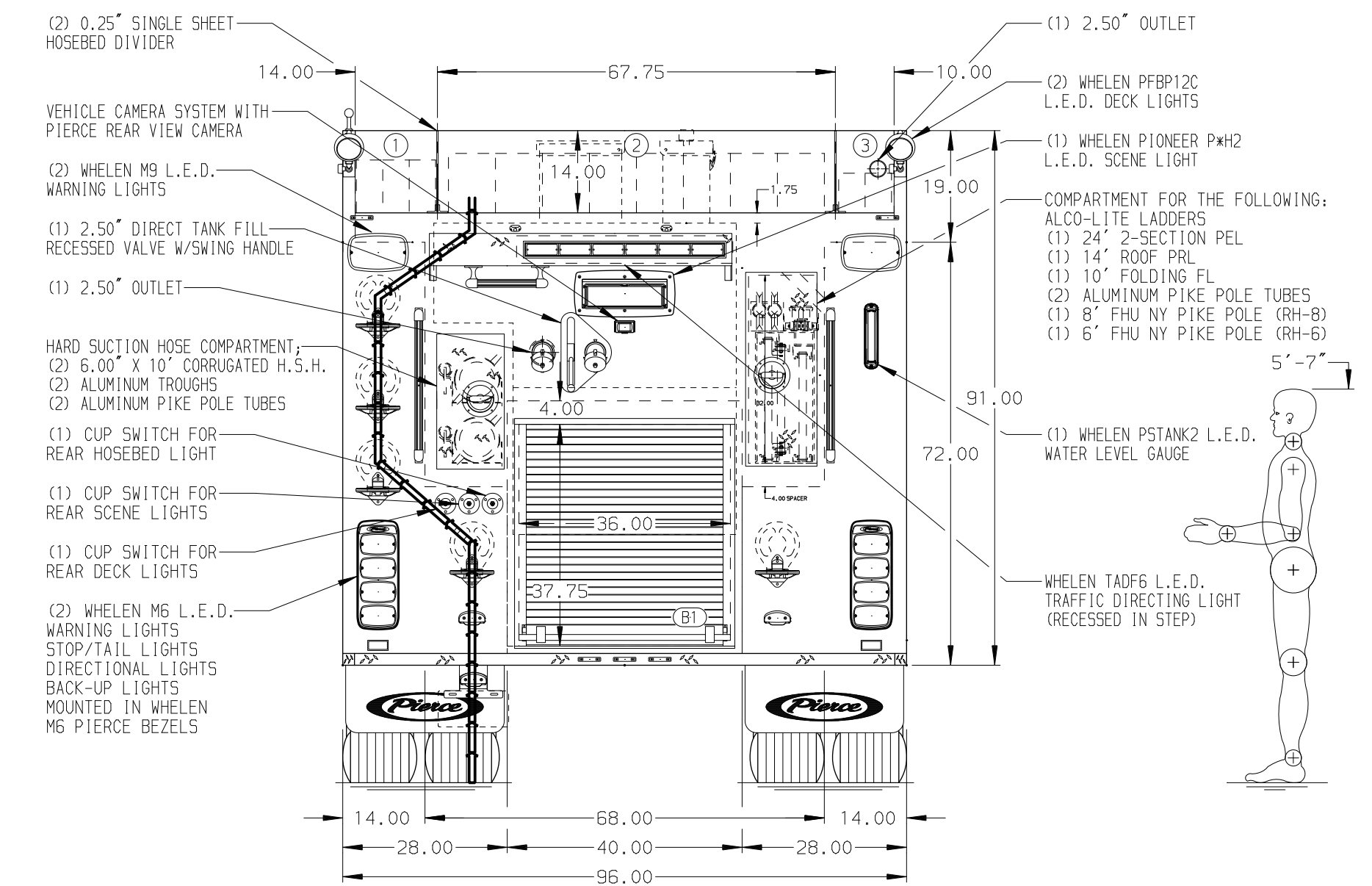
**CHASSIS AXLE, FRONT, CUSTOM**  
 20,000 Lb Dana Axle  
**AXLE, REAR**  
 31,000 Lb Dana Axle  
**ENGINE**  
 510 HP Paccar MX13 Engine  
**TRANSMISSION**  
 Allison 6th Gen, 4000 EVS P  
**BUMPER**  
 19" Extended Pointed Steel  
**CAB**  
 7010 EnForcer Cab

**BODY TOTAL TANK CAPACITY**  
 1250 Gallon Poly Tank  
**WATER CAPACITY**  
 1225 Gallons of Water  
**FOAM CELL CAPACITY**  
 25 Gallon Foam Cell  
**COMPT, PUMPER, REAR**  
 37.75" FF RollUp Rear Comp  
**COMPT, PUMPER, LEFT SIDE**  
 171" RollUp Full Height Front & Rear FDLR  
**COMPT, PUMPER, RIGHT SIDE**  
 171" RollUp Full Height Front & Rear FDLR

**FIRE SUPPRESSION PUMPHOUSE**  
 45" Control Zone Side Mount  
**PUMP**  
 1250 GPM Waterous CS  
**CROSSLAYS, 1.50"**  
 1.50" Crosslays Not Required  
**CROSSLAYS, 2.50"**  
 2.50" Crosslay Not Required  
**SPEEDLAYS**  
 (2) 1.50" W/Tray Std. Capacity  
**GENERATOR**  
 Generator Not Required  
**FOAM SYSTEM**  
 Husky 3 Single Agent Foam System



- HOSEBED CAPACITIES**
- ① 400' OF 2.50" D.J. POLY HOSE
  - ② 1200' OF 5.00" D.J. POLY HOSE
  - ③ 200' OF 2.50" D.J. POLY HOSE



**NOTE**  
 DIMENSIONS SHOWN ARE APPROXIMATE AND ARE SUBJECT TO MINOR DEVIATIONS AS MAY OCCUR OR BE NECESSARY IN CONSTRUCTION. MINOR DETAILS NOT SHOWN.

1. DUAL L.E.D. LIGHT STRIPS LOCATED IN HOSE BED
2. SHORELINE RECEPTACLE WITH KUSSMAUL SUPER AUTO-EJECT LOCATED ON DRIVER SIDE OF THE CAB
3. AIR INLET NOT REQUIRED
4. BATTERY CHARGER LOCATED PER ORDER
5. BATTERY CHARGE INDICATOR LOCATED ON DRIVER SEAT RISER
6. TWO ADDITIONAL POLY TRAYS SHIPPED LOOSE
7. EIGHT FULL WIDTH/DEPTH ADJUSTABLE SHELVES LOCATED PER ORDER
8. THREE FLOOR MOUNTED SLIDE-OUT TRAYS LOCATED PER ORDER
9. ONE SWING-OUT TOOL BOARD WITH PEGBOARD PATTERN LOCATED PER ORDER

10. PARTITION BETWEEN COMPARTMENTS L51/R1 AND R51/B1
11. ONE VERTICAL PARTITION LOCATED PER ORDER
12. PAC TRAC ON BACK WALL OF COMPARTMENTS PER ORDER
13. TWO 120V DUPLEX RECEPTACLES LOCATED PER ORDER

REV	DATE	BY	CH	ENFORCER
04FEB26	JDA	JGO		CHASSIS DATA
15DEC25	JDA	JGO		MAKE
05DEC25	JDA	JGO		PIERCE
30OCT25	JDA	JGO		MODEL

		JOB NO.	41634
		SCALE	1:24
TITLE Pierce Pumper Approval Drawing		DATE	01-02
		DRAWN BY	JDA
FOR St. Paul's Fire District		CHECKED BY	MMF
		DATE	030CT25
DWG NO. 41634AD		SHEET SIZE	D
		SHEET NO.	1 OF 1