

RIGHT SIDE COMPARTMENTS CONTAIN THE FOLLOWING:

COMPARTMENT RS1 CONTAINS:
 - (1) STD DEPTH ADJ SHELF
 - (2) SPECIAL DEPTH ADJ SLIDE OUT/TILT TRAYS
 - (1) #750 FLOOR MOUNTED TRAY

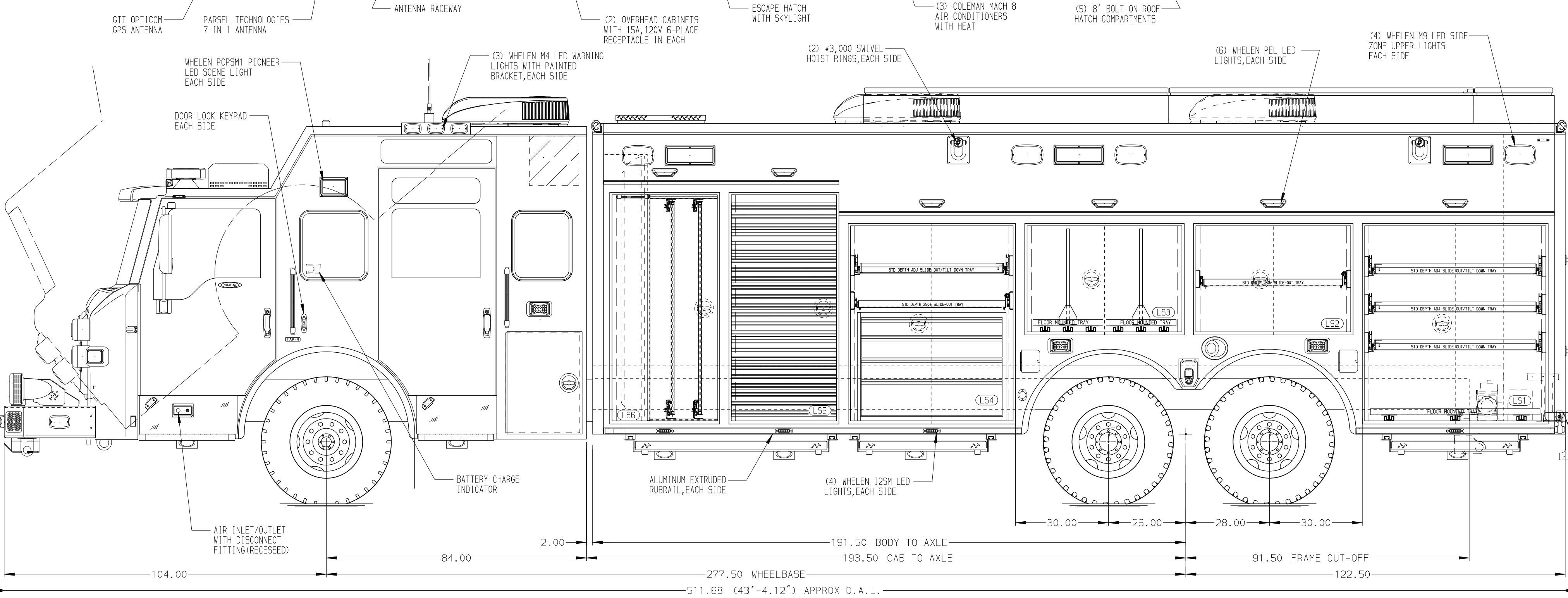
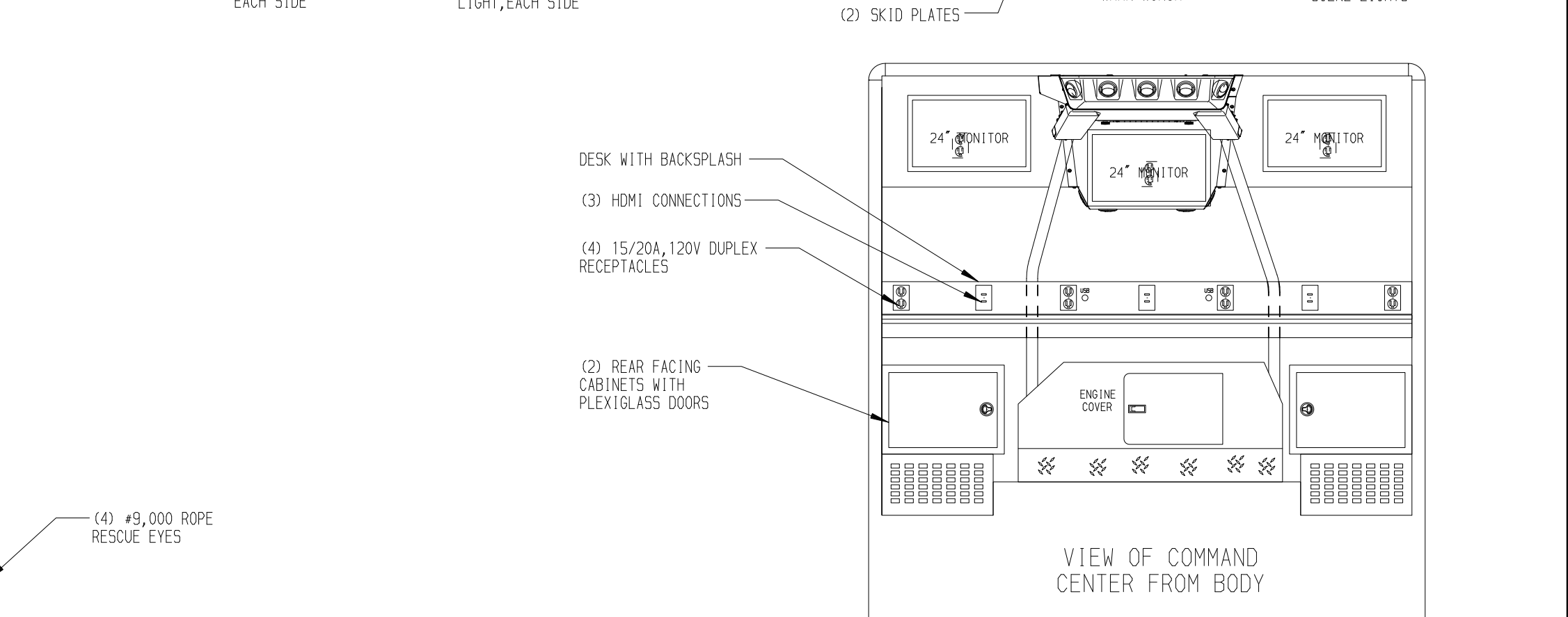
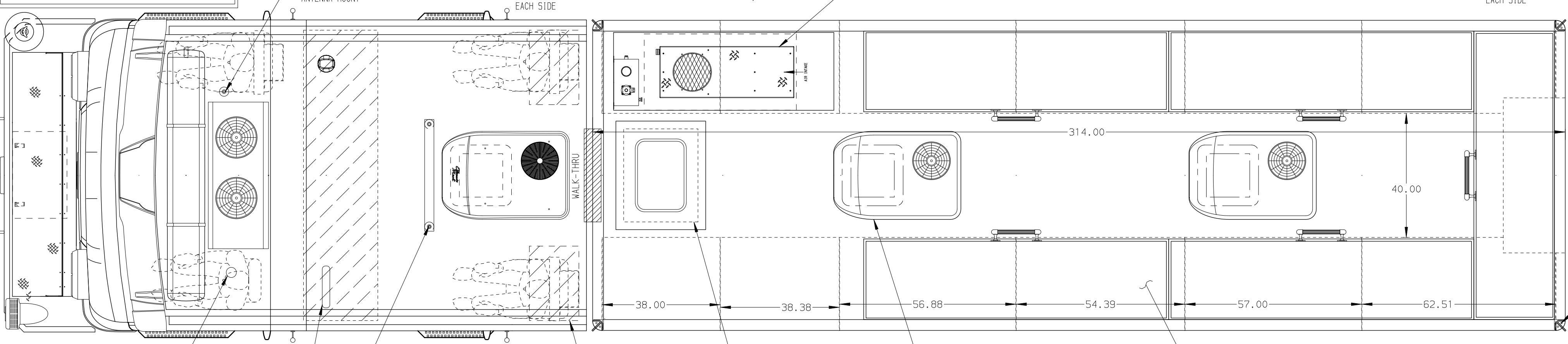
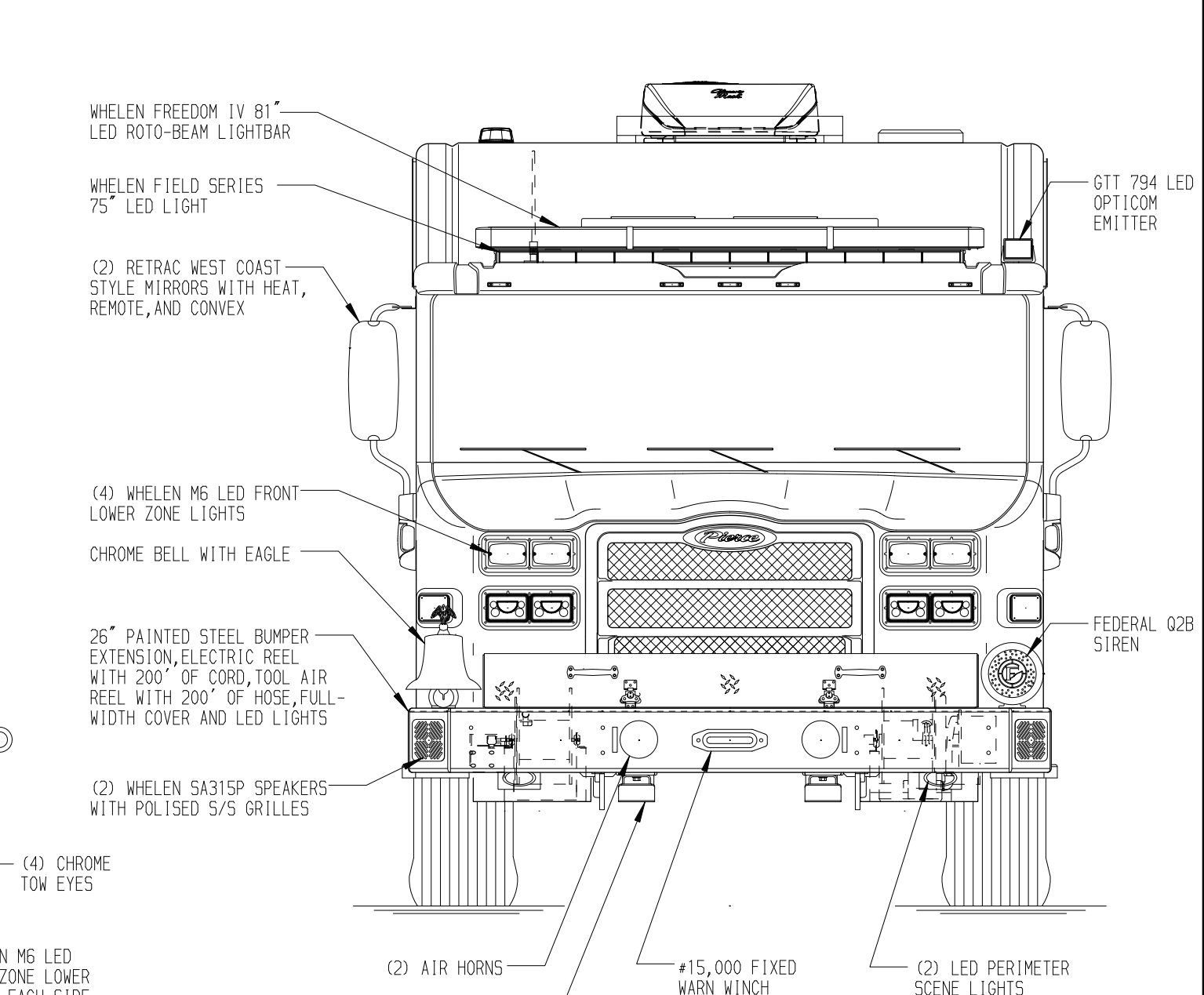
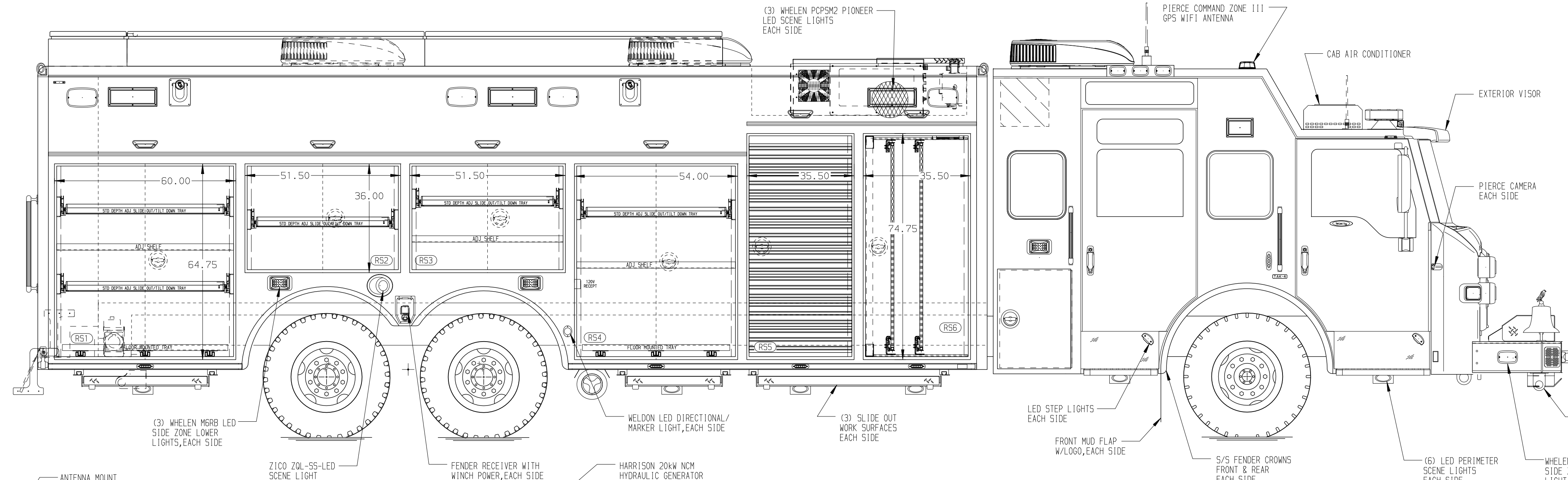
COMPARTMENT RS2 CONTAINS:
 - (1) STD DEPTH ADJ SLIDE OUT/TILT TRAY

COMPARTMENT RS3 CONTAINS:
 - (1) STD DEPTH ADJ SHELF
 - (1) STD DEPTH ADJ SLIDE OUT/TILT TRAY

COMPARTMENT RS4 CONTAINS:
 - (1) STD DEPTH ADJ SHELF
 - (1) STD DEPTH ADJ SLIDE OUT/TILT TRAY
 - (1) #750 FLOOR MOUNTED TRAY
 - (1) 15/20A, 120V DUPLEX RECEPTACLE

COMPARTMENT RS5 CONTAINS:
 - PAC TRAC ON ALL COMPARTMENT WALLS

COMPARTMENT RS6 CONTAINS:
 - (2) STD DEPTH ADJ TOOLBOARDS WITH UPPER AND LOWER SLIDES
 - (2) C-CHANNELS FOR PARATECH RAKER RAILS



LEFT SIDE COMPARTMENTS CONTAIN THE FOLLOWING:

COMPARTMENT LS1 CONTAINS:
 - (3) SPECIAL DEPTH ADJ SLIDE OUT/TILT TRAYS
 - (1) #750 FLOOR MOUNTED TRAY

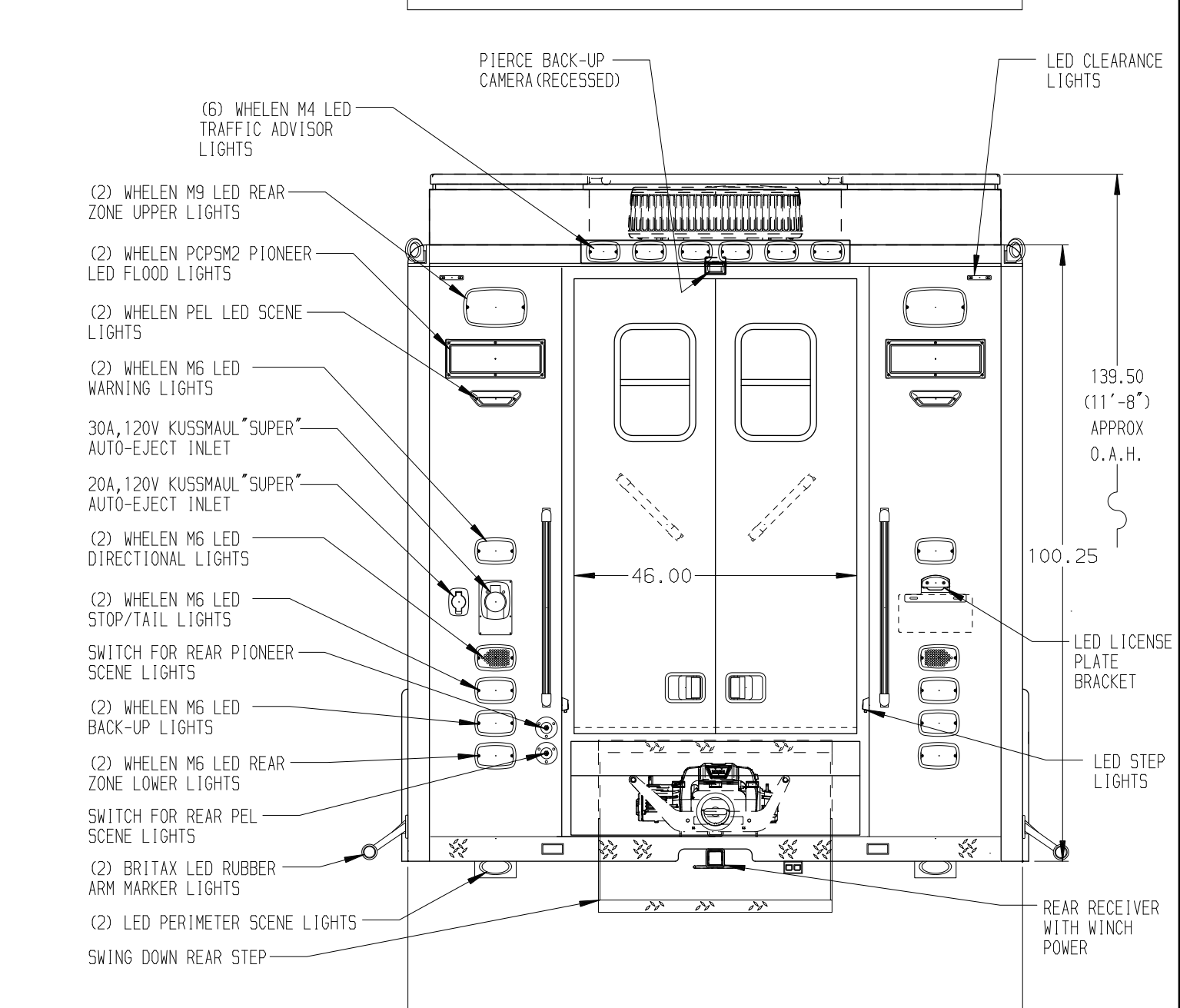
COMPARTMENT LS2 CONTAINS:
 - (1) STD DEPTH ADJ SLIDE OUT TRAY

COMPARTMENT LS3 CONTAINS:
 - (2) #750 FLOOR MOUNTED TRAYS W/TOOLBOARDS

COMPARTMENT LS4 CONTAINS:
 - (1) STD DEPTH ADJ SLIDE OUT TRAY
 - (1) STD DEPTH ADJ SLIDE OUT/TILT TRAY
 - (1) 4-DRAWER C-TECH CABINET

COMPARTMENT LS5 CONTAINS:
 - PAC TRAC ON ALL COMPARTMENT WALLS

COMPARTMENT LS6 CONTAINS:
 - (2) STD DEPTH ADJ TOOLBOARDS WITH UPPER AND LOWER SLIDES
 - (1) VERTICAL COMPARTMENT DIVIDER



NOTE
 DIMENSIONS SHOWN ARE APPROXIMATE AND ARE SUBJECT TO MINOR DEVIATIONS AS MAY OCCUR OR BE NECESSARY IN CONSTRUCTION. MINOR DETAILS NOT SHOWN.

NOTES:
 1. WARN #10,000 PORTABLE RECEIVER STYLE WINCH
 2. FLOOR IN CAB AND CREW CAB TO BE LONSEAL, LONPLATE 11 VINYL
 3. KUSMAUL CHIEF BATTERY CHARGER LOCATED BEHIND DRIVER'S SEAT
 4. PIERCE LED LIGHTS IN ALL BODY AND HATCH COMPARTMENTS

TAK-4 T3 #40,000 REAR SUSPENSION
 SIDE ROLL AND FRONTAL IMPACT PROTECTION

CLEAR DOOR WIDTH KEY		CHASSIS DATA	
AMDR ROLL UP DOORS:	-2 1/4"	170C125	DHE AZU
CORTITE ROLL UP DOORS:	-2 1/2"	07AUG25	DHE AZU
PIERCE DOUBLE LAP DOORS:	-4 1/4"	12JUN25	DHE GF1
PIERCE LIFT-UP LAP DOORS:	-1 1/2"		
(EX: 60" F-F - 2 1/4" = 57 3/4" CLEAR)		REV	DATE BY CH
			VXFR8420

Pierce MANUFACTURING INC.		JOB NO.	41845
TITLE		SCALE	DATE
HEAVY DUTY RESCUE NON-WALKIN		1:24	
FOR		DRAWN BY	DHE
ARLINGTON FIRE DEPARTMENT		CHECKED BY	GF1
SIDDONS-MARTIN EMERGENCY GROUP		BID #744	11APR25
SCOTT BECKWITH		SHEET SIZE	D
DWG NO.		41845AD-SH1	SHEET NO.
			1 OF 1