

# PUMPER BODY

Long Aluminum 2nd Gen Pumper

## CHASSIS

EnForcer Chassis

## ELECTRICAL SYSTEM

MUX

## CHASSIS AXLE, FRONT, CUSTOM

22,800 Lb TAK-4 Axle

## AXLE, REAR

27,000 Lb Meritor Axle

## ENGINE

510 HP Paccar MX13 Engine

## TRANSMISSION

Allison 6th Gen, 4000 EVS P

## BUMPER

22" Extended Painted Steel

## CAB

7010 Enforcer Cab

## BODY

### TOTAL TANK CAPACITY

780 Gallon New York Style Poly Tank

### WATER CAPACITY

750 Gallons of Water

### FOAM CELL CAPACITY

30 Gallon Foam Cell

### COMPT, PUMPER, REAR

30.75" FF RollUp Rear Compt

### COMPT, PUMPER, LEFT SIDE

171" RollUp Full Height & Depth Front & Rear

### COMPT, PUMPER, RIGHT SIDE

171" RollUp Full Height & Depth Front & Rear B1B

## FIRE SUPPRESSION PUMPHOUSE

45" Control Zone Side Mount

## PUMP

1500 GPM Waterous CSU

## CROSSLAYS, 1.50"

(2) 1.50" Standard Capacity

## CROSSLAYS, 2.50"

(1) 2.50" Standard Capacity

## SPEEDLAYS

SpeedLays Not Required

## GENERATOR

Generator Not Required

## FOAM SYSTEM

FoamPro 1600, Single Agent

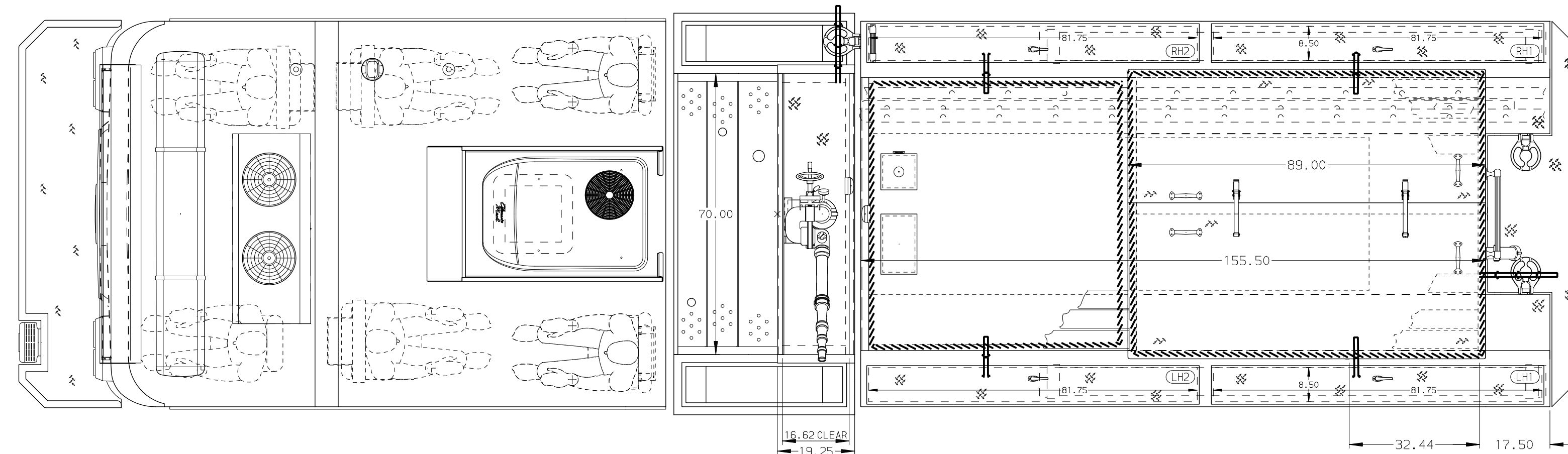
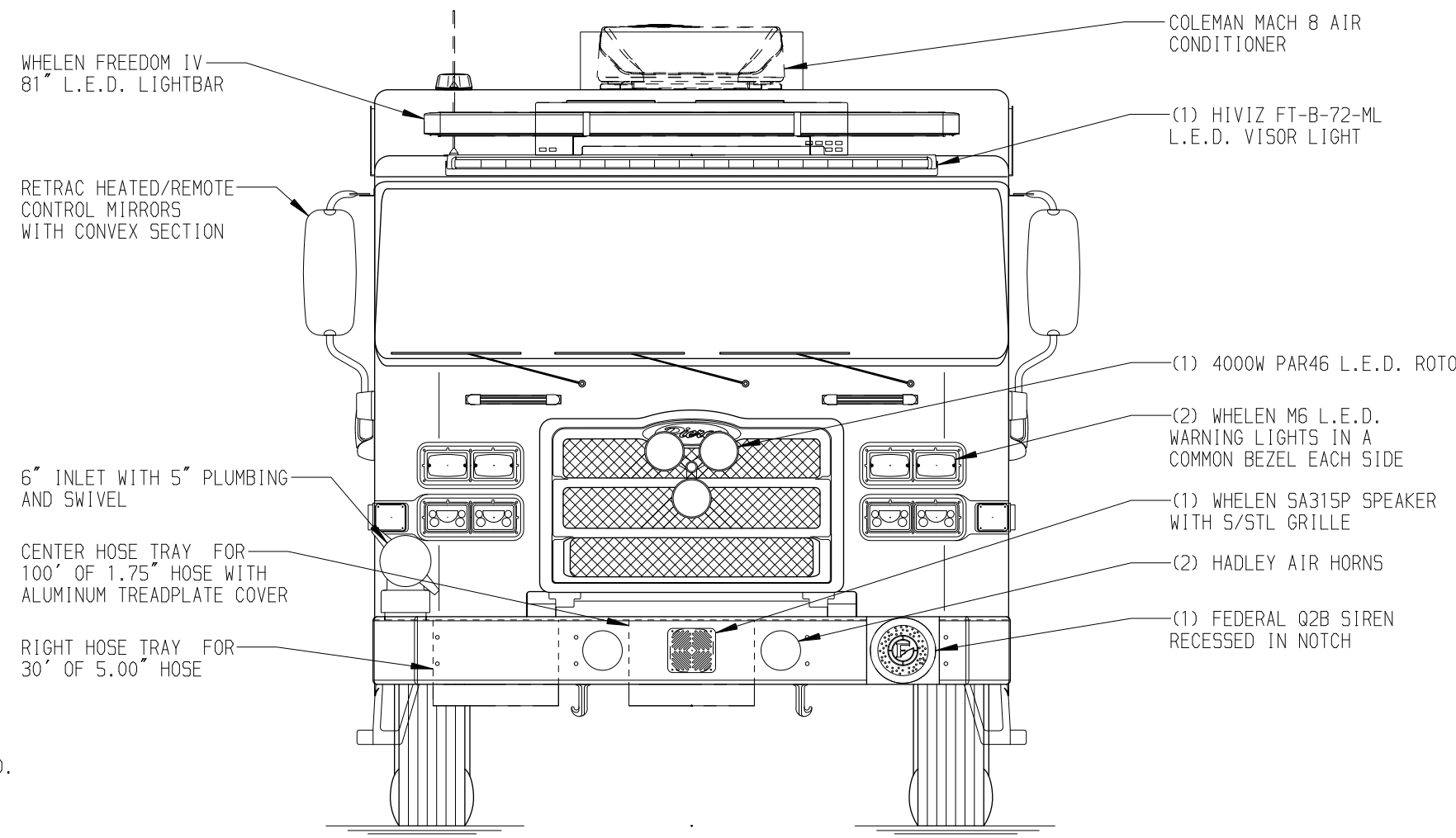
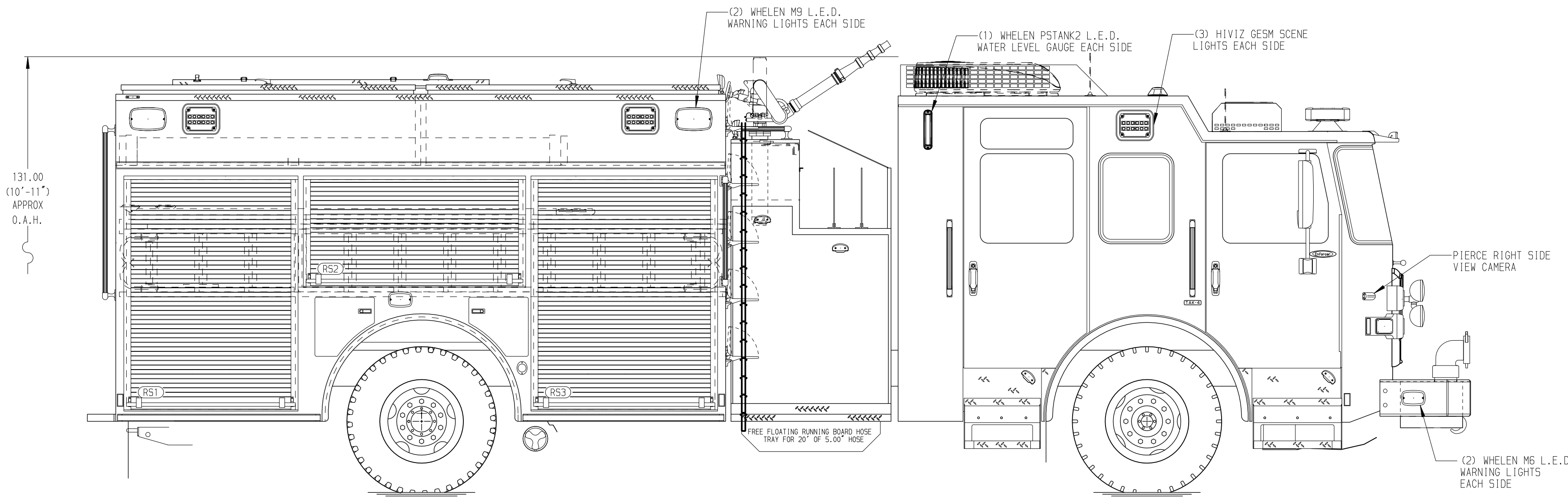
## SAFETY

Side Roll and Frontal Impact Protection

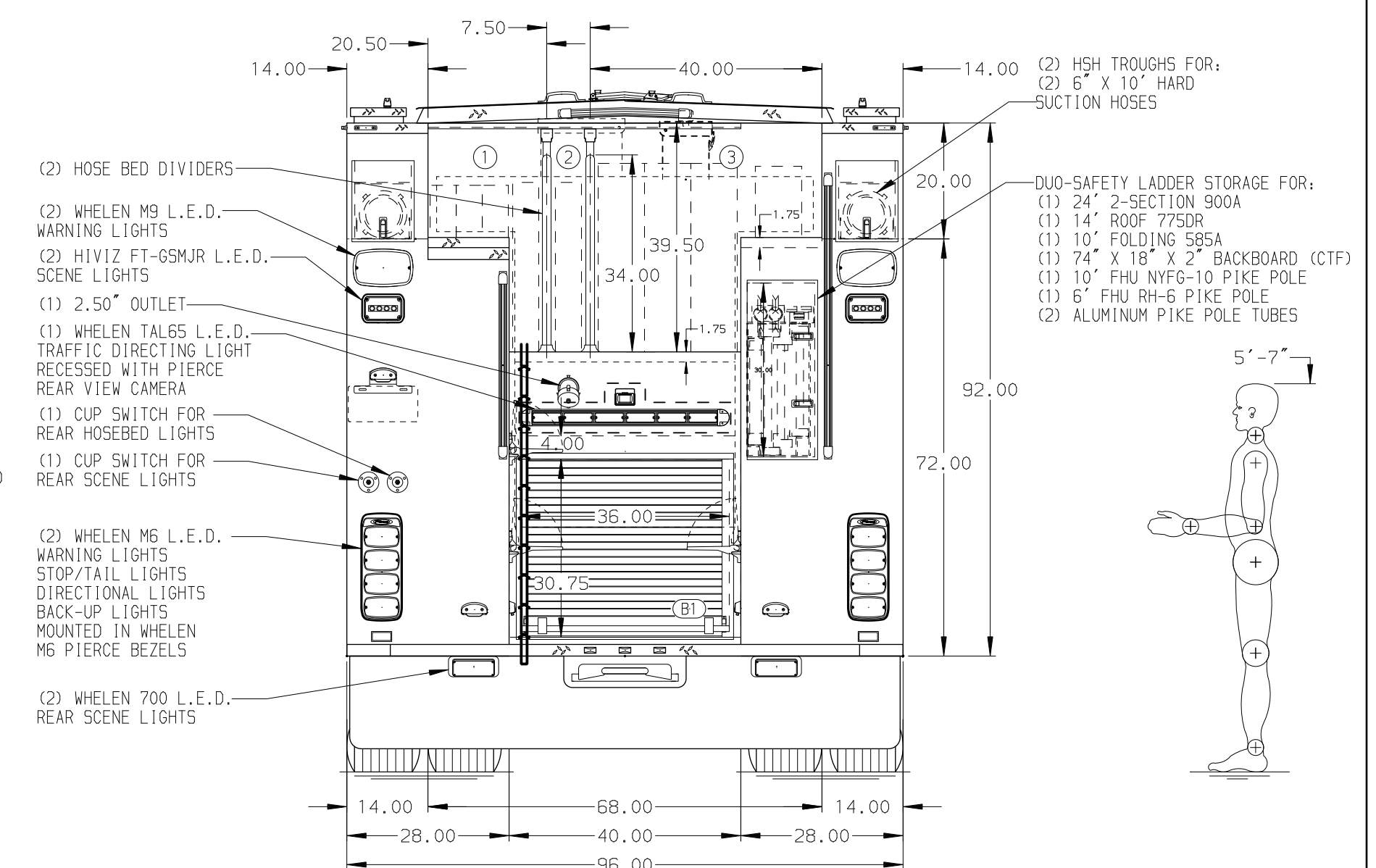
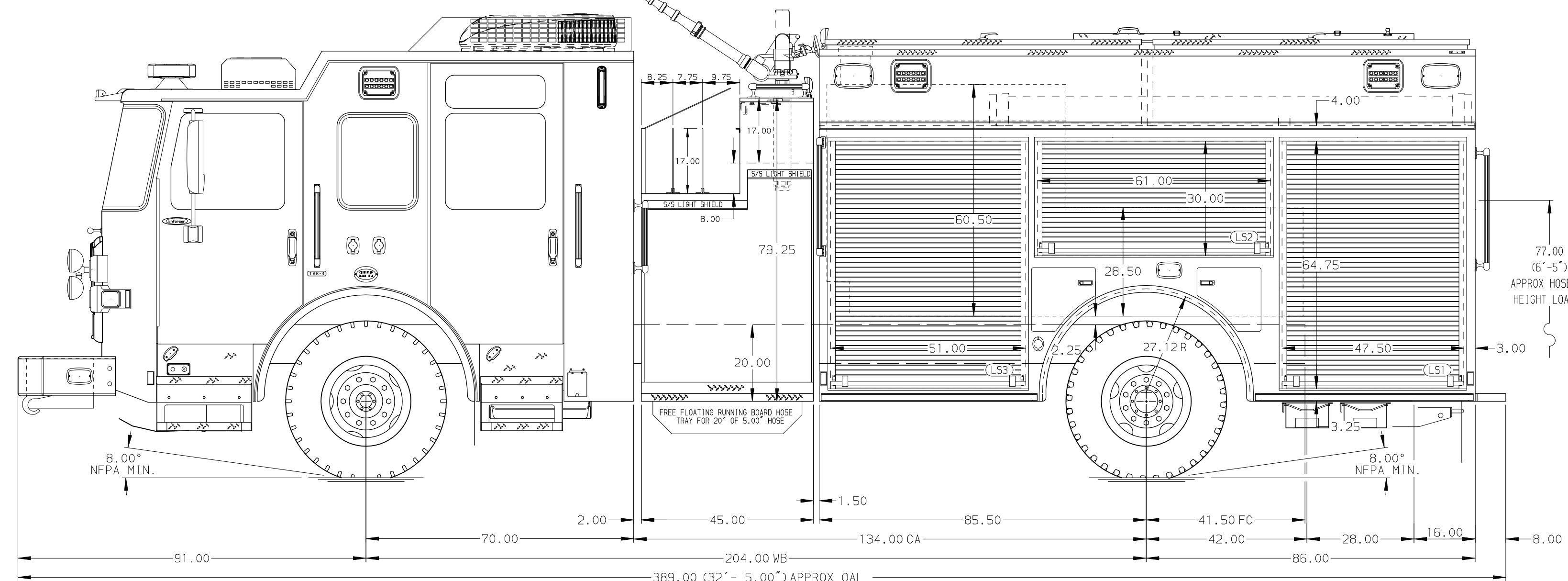
### NOTE

DIMENSIONS SHOWN ARE APPROXIMATE AND ARE SUBJECT TO MINOR DEVIATIONS AS MAY OCCUR OR BE NECESSARY IN CONSTRUCTION. MINOR DETAILS NOT SHOWN.

- ONE 1.50 OUTLET WITH 2.00 PIPING AND SWIVEL LOCATED IN CENTER BUMPER TRAY
- TWO 20A SHORELINE RECEPTACLE WITH KUSSMAUL SUPER AUTO-EJECT LOCATED ON DRIVER SIDE OF THE CAB
- AIR INLET/OUTLET WITH DISCONNECT FITTING IN THE DRIVER SIDE STEPWELL FORWARD
- BATTERY CHARGER LOCATED PER ORDER
- BATTERY CHARGE INDICATOR LOCATED ON DRIVER SEAT RISER
- SEVEN ADJUSTABLE SHELVES LOCATED PER ORDER
- TWO TILT/SLIDE-OUT ADJUSTABLE TRAYS LOCATED PER ORDER
- FOUR FLOOR MOUNTED SLIDE-OUT TRAYS LOCATED PER ORDER
- ONE CTECH CABINET DRAWER ASSEMBLY LOCATED PER ORDER
- ONE SLIDE-OUT ALUMINUM TOOL BOARD NO HOLES LOCATED PER ORDER
- ONE BACK WALL MOUNTED PEGBOARD LOCATED PER ORDER
- TWO 15/20A 3-WIRE RECEPTACLES LOCATED PER ORDER
- ONE BACK WALL MOUNTED TOOL BOARD NO HOLES LOCATED PER ORDER
- ONE SIDE WALL MOUNTED PEGBOARD LOCATED PER ORDER
- ONE VERTICAL PARTITION LOCATED PER ORDER



- #### HOSEBED CAPACITIES
- 500' OF 2.50" D.J. POLY HOSE
  - 200' OF 2.50" D.J. POLY HOSE
  - 1000' OF 5.00" D.J. POLY HOSE



		JOB NO.	41920																
		SCALE	1:24																
<b>Pierce MANUFACTURING INC.</b>		TITLE	Pierce Pumper Approval Drawing																
		FOR	Town of Jupiter																
<table border="1"> <tr> <th>REV</th> <th>DATE</th> <th>BY</th> <th>CH</th> </tr> <tr> <td>17APR26</td> <td></td> <td>KLE</td> <td>ZWE</td> </tr> <tr> <td>29OCT25</td> <td></td> <td>KLE</td> <td>ZWE</td> </tr> <tr> <td>25SEP25</td> <td></td> <td>KLE</td> <td>ZWE</td> </tr> </table>		REV	DATE	BY	CH	17APR26		KLE	ZWE	29OCT25		KLE	ZWE	25SEP25		KLE	ZWE	DWG NO.	41920AD
		REV	DATE	BY	CH														
17APR26		KLE	ZWE																
29OCT25		KLE	ZWE																
25SEP25		KLE	ZWE																
<table border="1"> <tr> <th>CHASSIS DATA</th> <th>MAKE</th> <th>MODEL</th> </tr> <tr> <td>ENFORCER</td> <td>PIERCE</td> <td></td> </tr> </table>		CHASSIS DATA	MAKE	MODEL	ENFORCER	PIERCE		CHECKED BY	MMF										
		CHASSIS DATA	MAKE	MODEL															
ENFORCER	PIERCE																		
<table border="1"> <tr> <th>DATE</th> <th>DATE</th> </tr> <tr> <td>22AUG25</td> <td>22AUG25</td> </tr> </table>		DATE	DATE	22AUG25	22AUG25	SHEET SIZE	D												
		DATE	DATE																
22AUG25	22AUG25																		
<table border="1"> <tr> <th>DATE</th> <th>DATE</th> </tr> <tr> <td>22AUG25</td> <td>22AUG25</td> </tr> </table>		DATE	DATE	22AUG25	22AUG25	SHEET NO.	1 OF 1												
		DATE	DATE																
22AUG25	22AUG25																		