

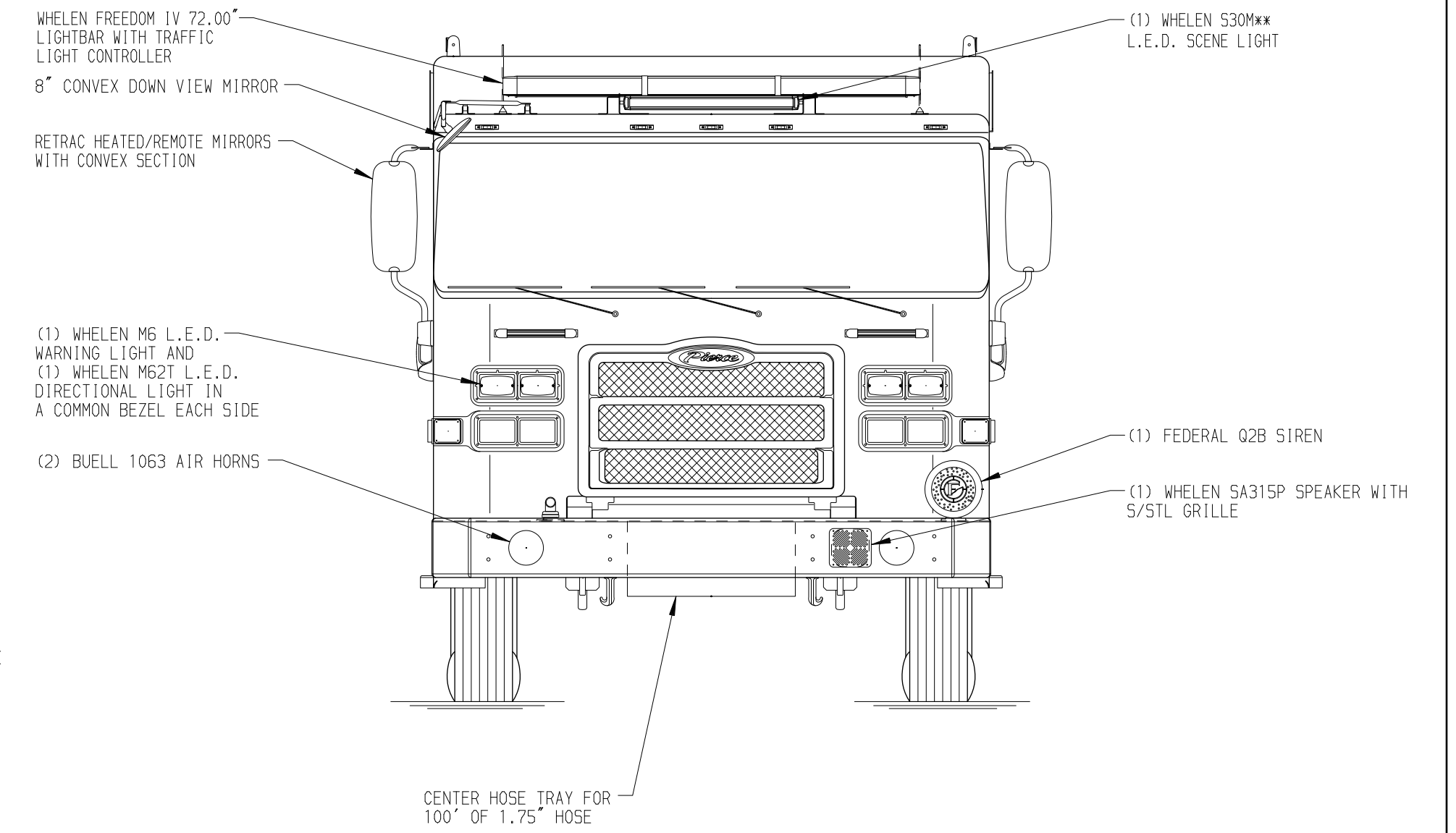
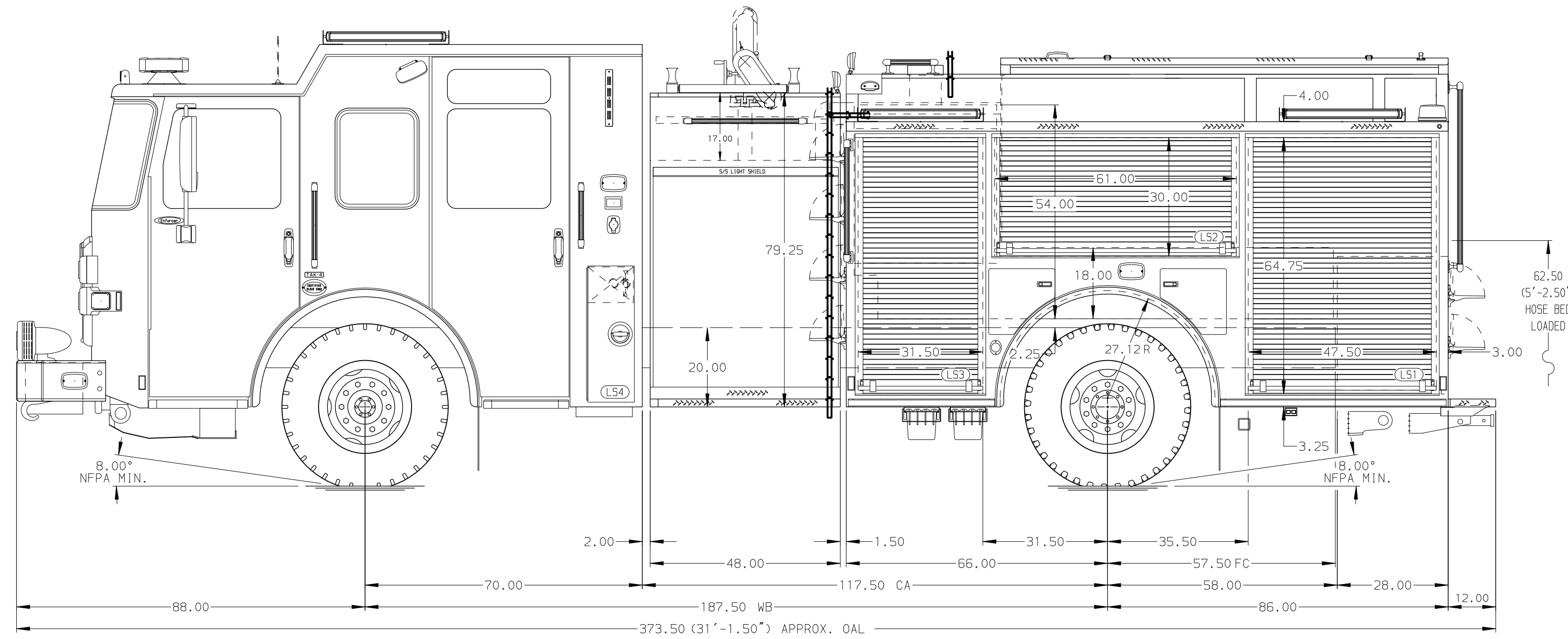
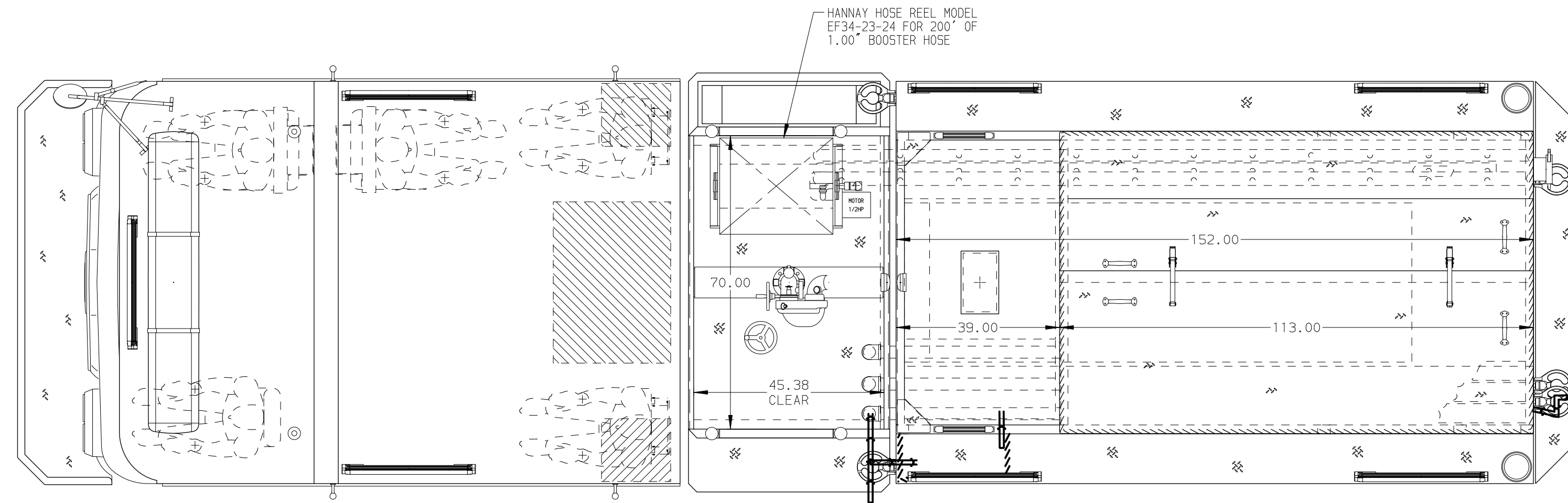
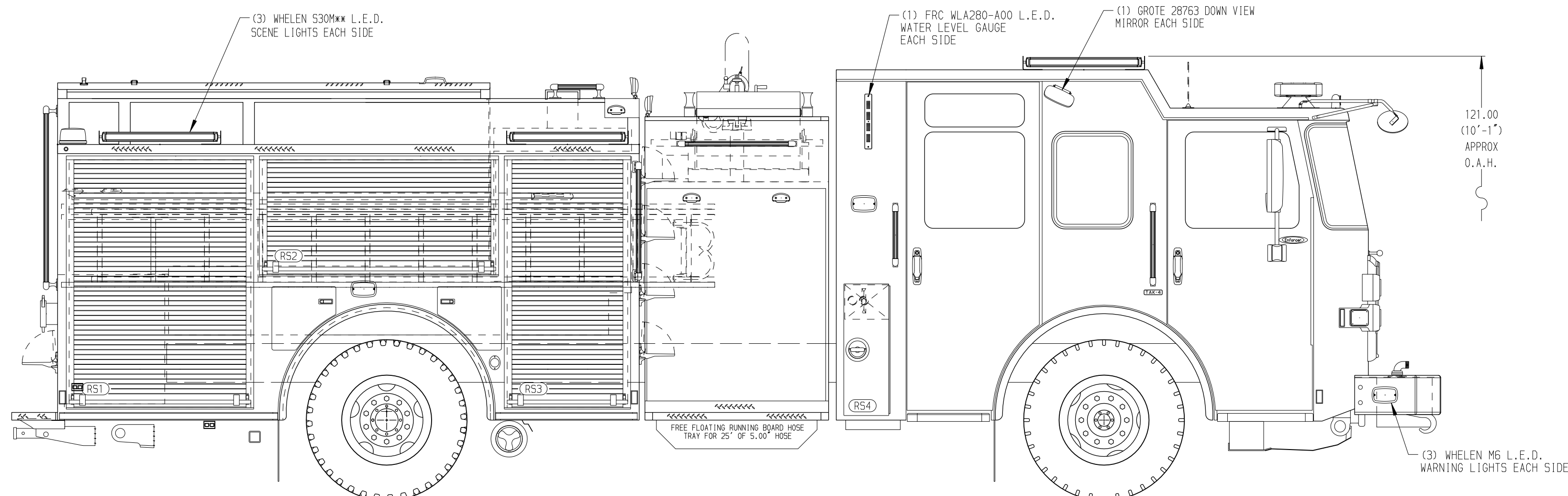
PUMPER BODY
 Medium Aluminum 2nd Gen Pumper
CHASSIS
 EnForcer Chassis
ELECTRICAL SYSTEM
 Hard Wired

CHASSIS AXLE, FRONT, CUSTOM
 19,500 Lb TAK-4 Axle
AXLE, REAR
 24,000 Lb Dana Axle
ENGINE
 455 HP Cummins X12 Engine
TRANSMISSION
 Allison 6th Gen, 4000 EVS P
BUMPER
 19" Extended Steel Painted
CAB
 7010 EnForcer Cab

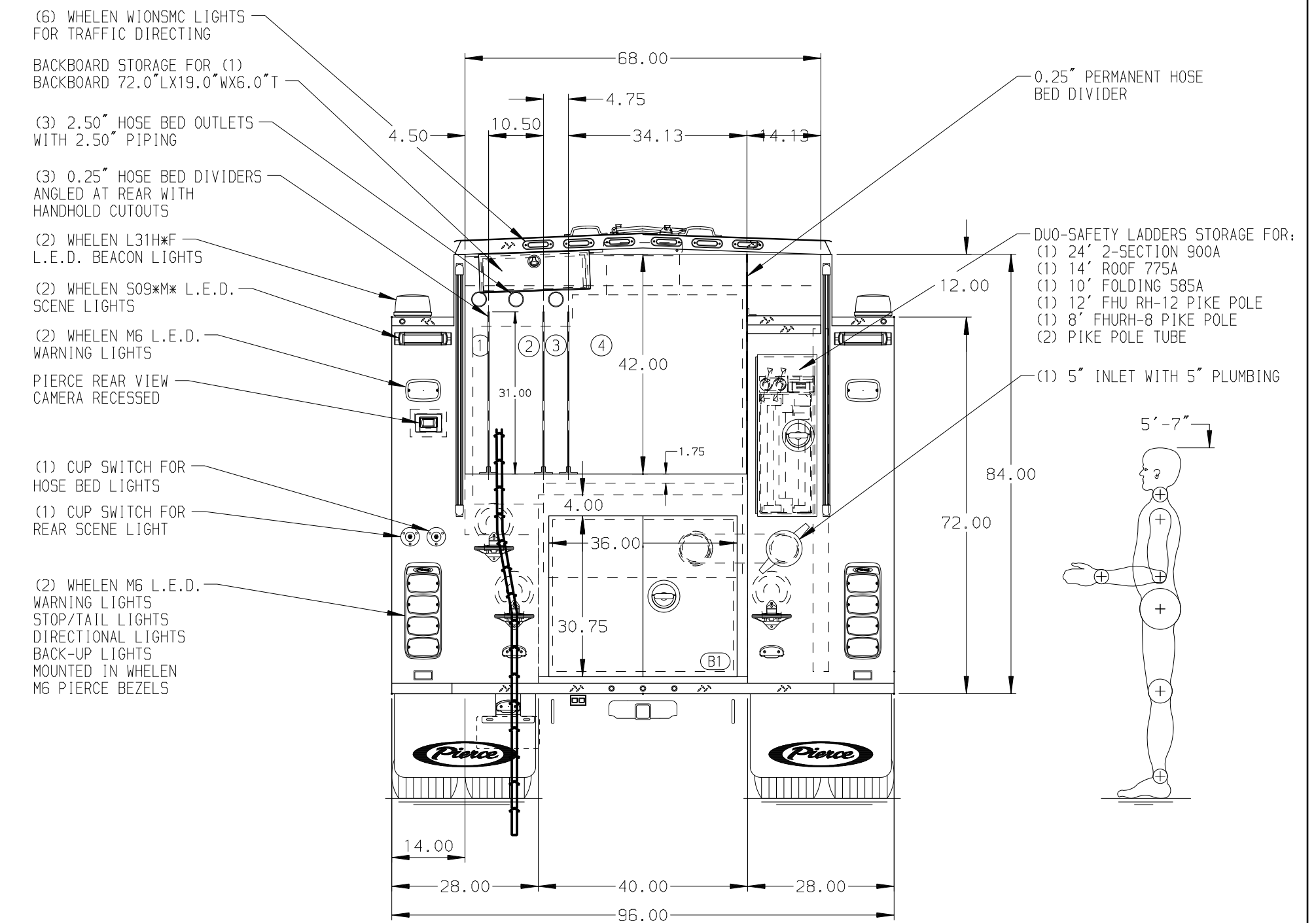
BODY TOTAL TANK CAPACITY
 500 Gallon New York Style Poly Tank
WATER CAPACITY
 500 Gallons of Water
FOAM CELL CAPACITY
 Foam Cell Not Required
COMPT, PUMPER, REAR
 30.75" FF RollUp Rear Compt
COMPT, PUMPER, LEFT SIDE
 152" RollUp Full Height Front & Rear FDLR
COMPT, PUMPER, RIGHT SIDE
 152" RollUp Full Height & Depth Front & Rear

FIRE SUPPRESSION PUMPHOUSE
 48" Control Zone Side Mount
PUMP
 1500 GPM Waterous CSU
CROSSLAYS, 1.50"
 1.50" Crosslays Not Required
CROSSLAYS, 2.50"
 2.50" Crosslay Not Required
SPEEDLAYS
 SpeedLays Not Required
GENERATOR
 Generator Not Required
FOAM SYSTEM
 Foam System Not Required

SAFETY
 Side Roll and Frontal Impact Protection



- HOSEBED CAPACITIES**
- ① 300' OF 1.75" D.J. POLY HOSE (PRE-CONNECTED)
 - ② 300' OF 2.50" D.J. POLY HOSE (PRE-CONNECTED)
 - ③ 300' OF 1.75" D.J. POLY HOSE (PRE-CONNECTED)
 - ④ 1000' OF 5.00" D.J. POLY HOSE



NOTE
 DIMENSIONS SHOWN ARE APPROXIMATE AND ARE SUBJECT TO MINOR DEVIATIONS AS MAY OCCUR OR BE NECESSARY IN CONSTRUCTION. MINOR DETAILS NOT SHOWN.

- 1. ONE 1.50" OUTLET WITH 2.00" PIPING AND SWIVEL LOCATED TOP OF RIGHT BUMPER
- 2. AIR INLET/OUTLET WITH DISCONNECT FITTING LOCATED ON DRIVER SIDE PUMP PANEL
- 3. 20A SHORELINE RECEPTACLE WITH KUSSMAUL SUPER AUTO EJECT LOCATED ON DRIVER SIDE CAB SIDE
- 4. BATTERY CHARGER LOCATED PER ORDER
- 5. BATTERY CHARGER INDICATOR LOCATED DRIVER SIDE CAB SIDE
- 6. THIRTEEN ADJUSTABLE SHELVES LOCATED PER ORDER
- 7. TWO SLIDE-OUT TRAYS LOCATED PER ORDER
- 8. ONE CTECH CABINET DRAWER ASSEMBLY LOCATED PER ORDER
- 9. THREE WALL MOUNTED ALUMINUM TOOLBOARDS LOCATED PER ORDER
- 10. FOUR RECEPTACLES LOCATED PER ORDER

REV	DATE	BY	CH	ENFORCER
12DEC25	MPM	ARG		MAKE
06OCT25	MPM	ARG		PIERCE
08SEP25	BST	ARG		MODEL

		JOB NO.	41979
		SCALE	DATE
TITLE	Pierce Pumper Approval Drawing		
FOR	North Kansas City		
DWG NO.	41979AD		
DRAWN BY	SJM	CHECKED BY	MMF
	24JUL25		24JUL25
SHEET SIZE	D	SHEET NO.	1 OF 1