

# Pumper, PUC BODY

Pumper, PUC, Aluminum

## CHASSIS

Enforcer Chassis, PUC

## ELECTRICAL SYSTEM

Hard Wired

## CHASSIS

### AXLE, FRONT, CUSTOM

20,000 Lb Dana Axle

### AXLE, REAR

31,000 Lb Dana Axle

## ENGINE

510 HP Paccar MX13 Engine

## TRANSMISSION

Allison 6th Gen, 4000 EVS P

## BUMPER

19" Extended Painted

## CAB

7010 Enforcer Cab, PUC

## BODY

### WATER TANK

1000 Gallon Poly Water Tank

### COMPT, PUMPER, REAR

29.50" FF RollUp Rear Compt w/Tailboard, PUC

### COMPT, PUMPER, LEFT SIDE

189" RollUp Full Height & Depth Front & Rear, PUC

### COMPT, PUMPER, RIGHT SIDE

189" RollUp Full Height & Depth Front & Rear, PUC

## FIRE SUPPRESSION

### PUMPHOUSE

Control Zone, PUC

## PUMP

1500 GPM Pierce PUC

### CROSSLAYS, 1.50"

(2) 1.50", Poly Trays, 250'

### CROSSLAYS, 2.50"

(1) 2.50", Poly Tray, 200'

## GENERATOR

Generator Not Required

## Foam System

Husky 3 Single Agent Foam System

## Foam Cell

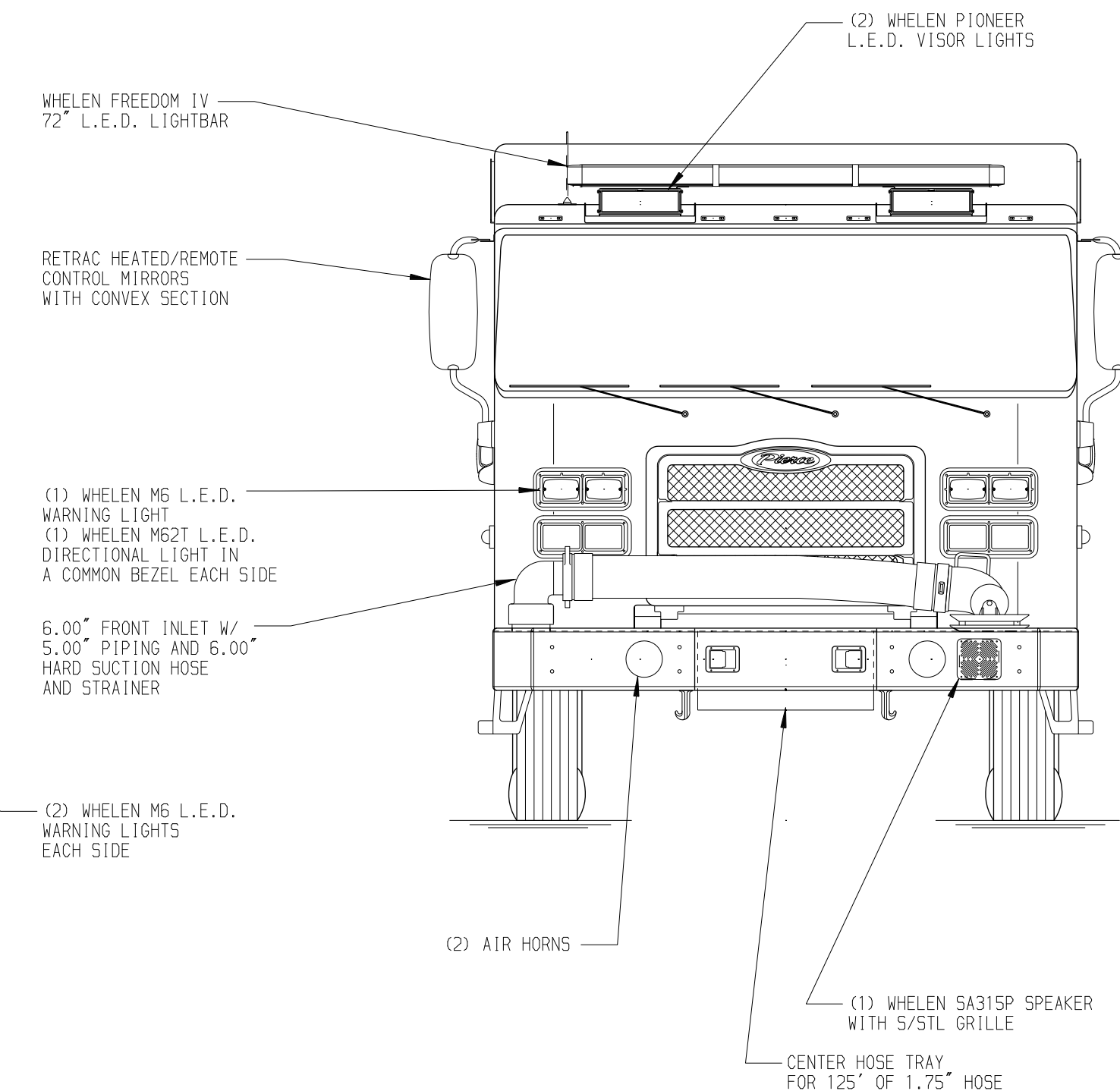
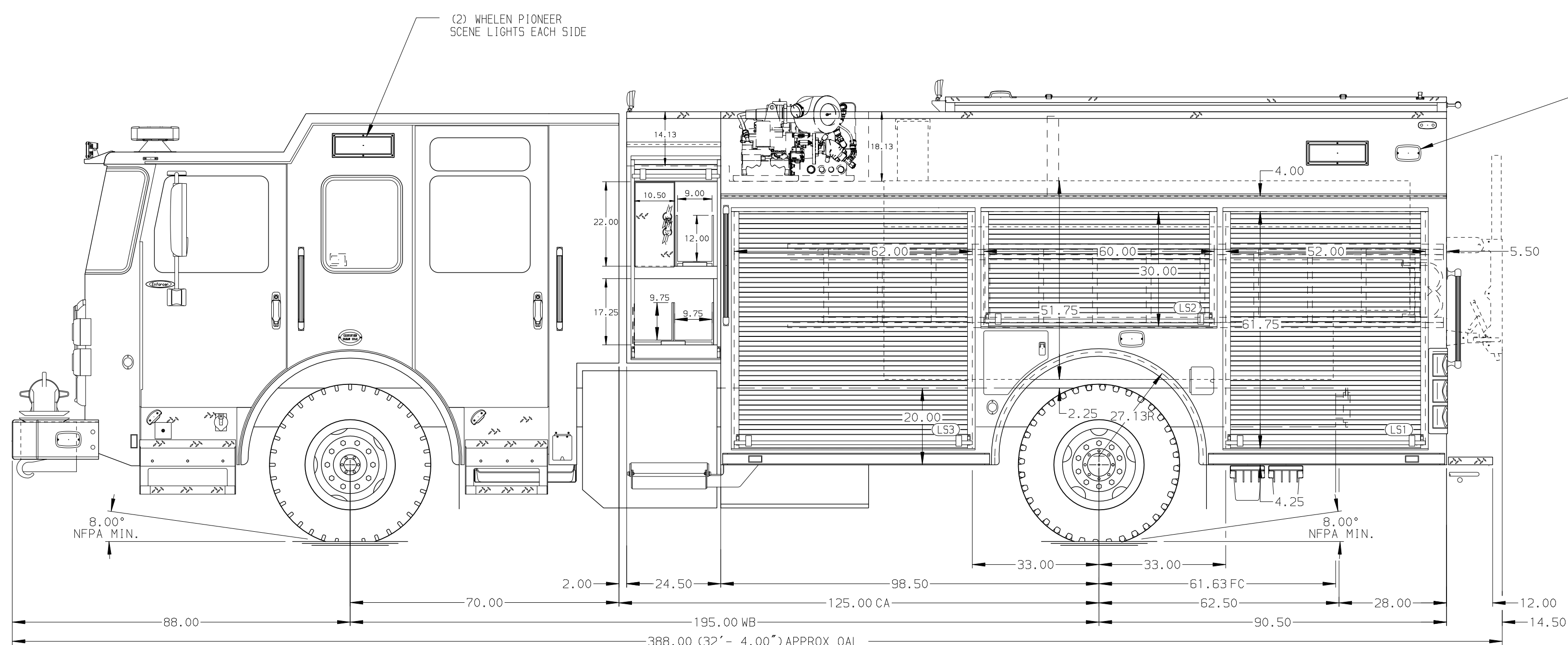
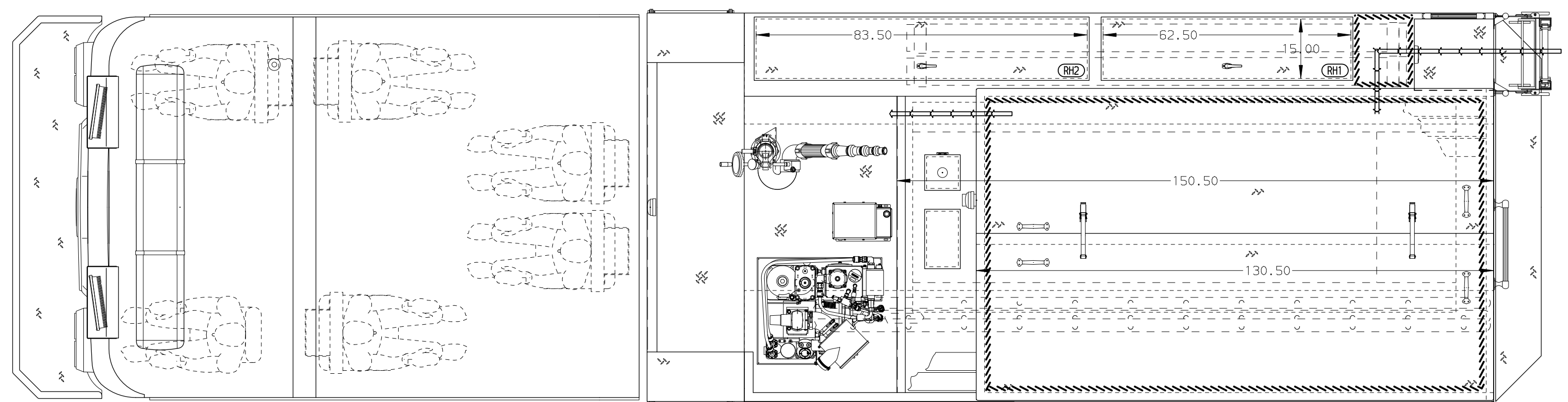
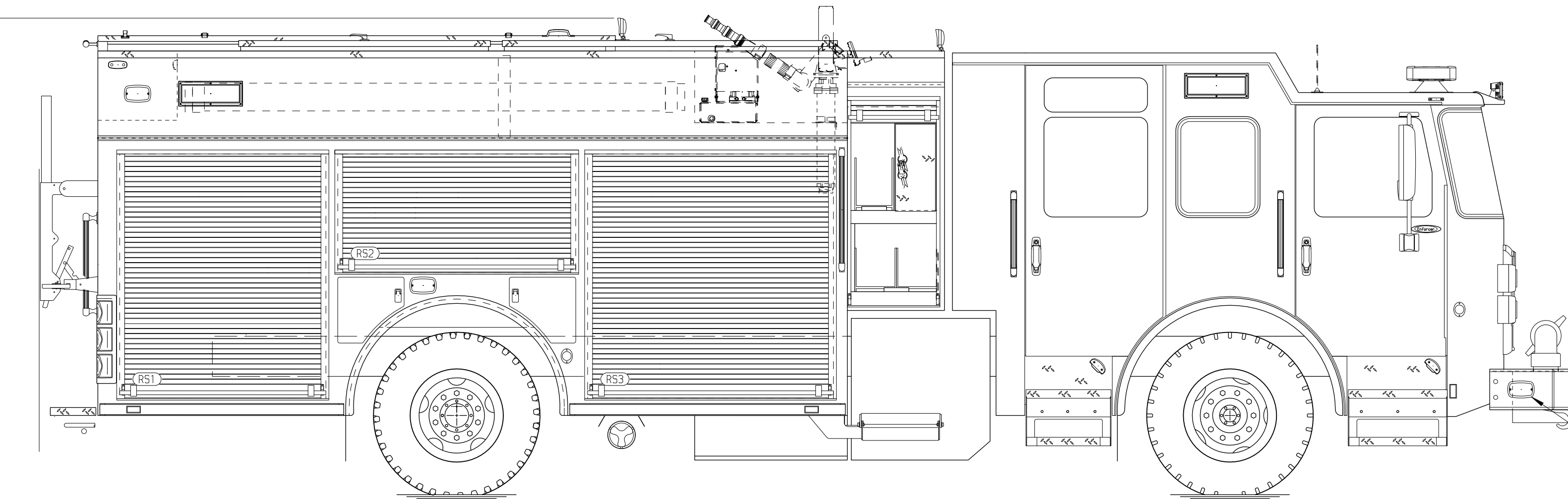
30 Gallon Foam Cell, Not Reduced Water, PUC

### NOTE

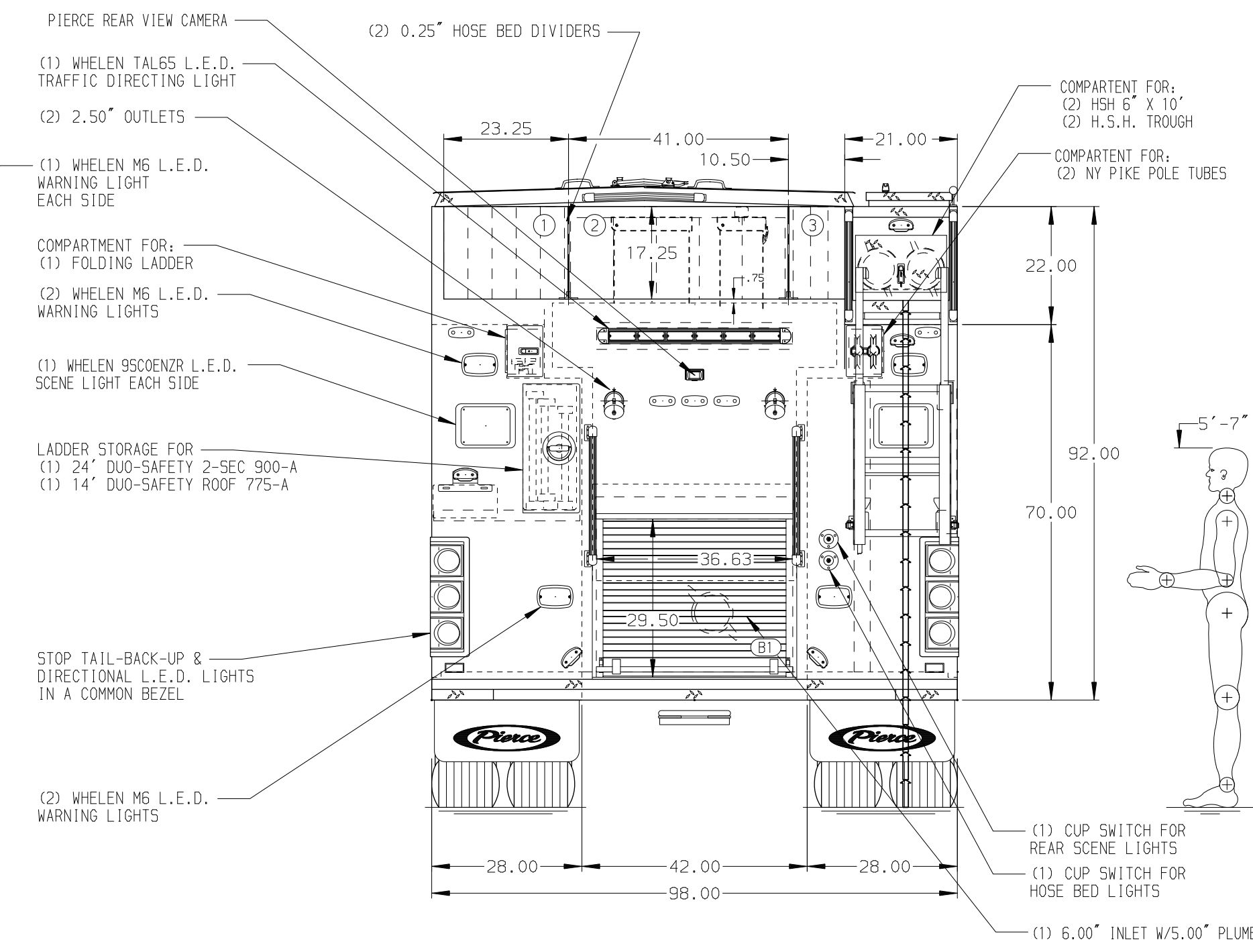
DIMENSIONS SHOWN ARE APPROXIMATE AND ARE SUBJECT TO MINOR DEVIATIONS AS MAY OCCUR OR BE NECESSARY IN CONSTRUCTION. MINOR DETAILS NOT SHOWN.

- ONE 1.50 OUTLET WITH 2.00 PIPING AND SWIVEL LOCATED IN CENTER BUMPER TRAY
- SHORELINE RECEPTACLE WITH KUSSMAUL SUPER AUTO-EJECT LOCATED DRIVER SIDE STEPWELL
- AIR INLET WITH DISCONNECT COUPLING RECESSED IN THE DRIVER SIDE STEPWELL
- BATTERY CHARGER LOCATED PER ORDER
- SIX ADJUSTABLE SHELVES LOCATED PER ORDER
- TWO FLOOR MOUNTED SLIDE-OUT TRAY LOCATED PER ORDER
- KUSSMAUL AIR COMPRESSOR LOCATED PER SHOP ORDER
- FOUR SLIDE-OUT TRAYS LOCATED PER SHOP ORDER
- FIVE TILT/SLIDE-OUT TRAYS LOCATED PER SHOP ORDER
- SWING-OUT TOOLBOARD LOCATED PER SHOP ORDER
- PEGBOARD ON BACK WALL IN COMPARTMENT PER SHOP ORDER
- AUTOMATIC TIRE CHAINS

123.50  
(10'-3.5")  
APPROX  
O.A.H.



- HOSEBED CAPACITIES**
- 1100' OF 2.50" D.J. POLY HOSE
  - 1000' OF 5.00" D.J. POLY HOSE
  - 750' OF 1.75" D.J. POLY HOSE



		JOB NO.	42234
		SCALE	DATE
TITLE	Pierce PUC Pumper Approval Drawing	DRAWN BY	KLE
FOR	Suring Fire Department	CHECKED BY	MMF
DWG NO.	42234AD	SHEET SIZE	SHEET NO.
ENFORCER		D	1 OF 1

REV	DATE	BY	CH	ENFORCER
26MAY26	MPM	COS	MAKE	
17DEC25	MPM	TDC	PIERCE	
06NOV25	JDA	SJS	MODEL	