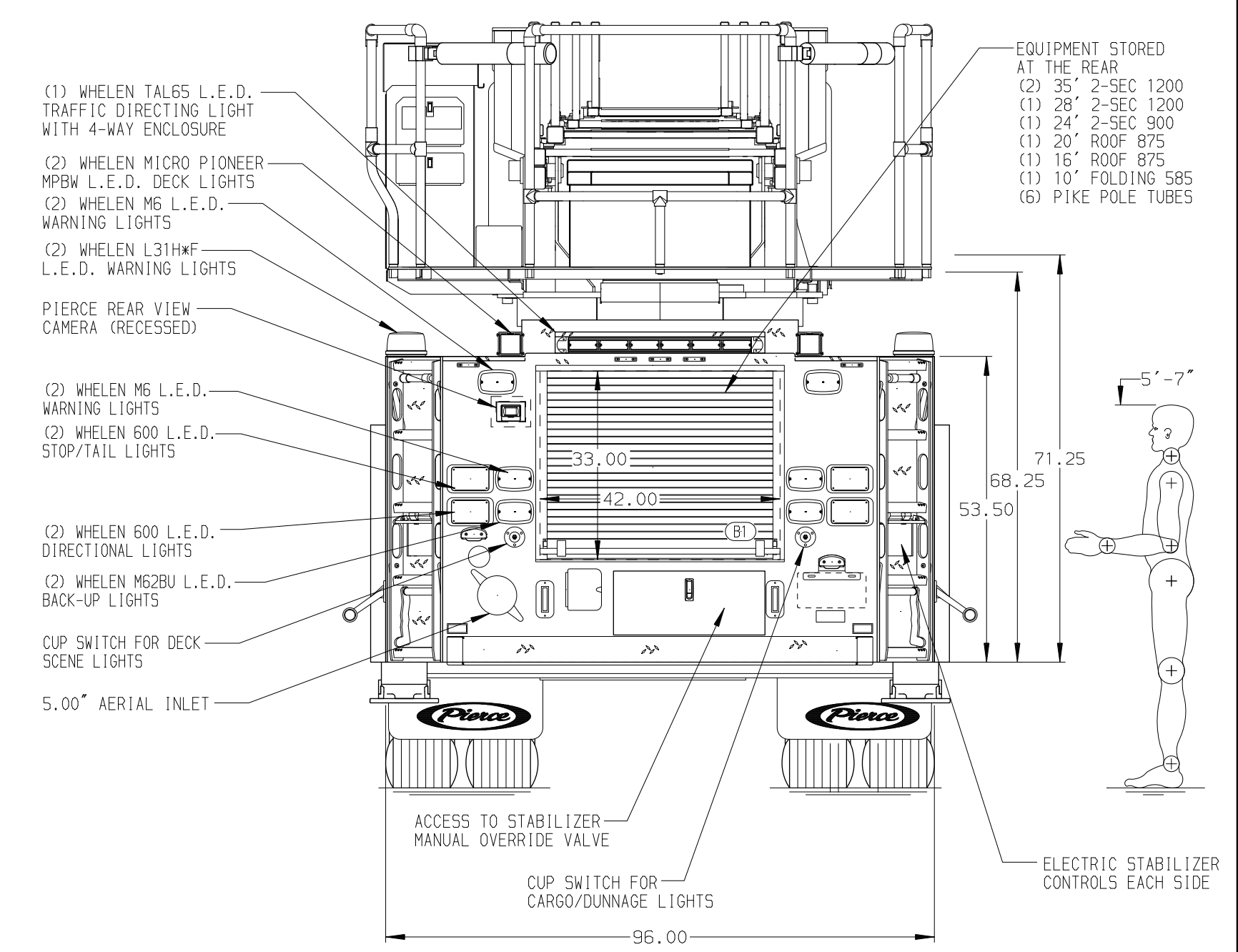
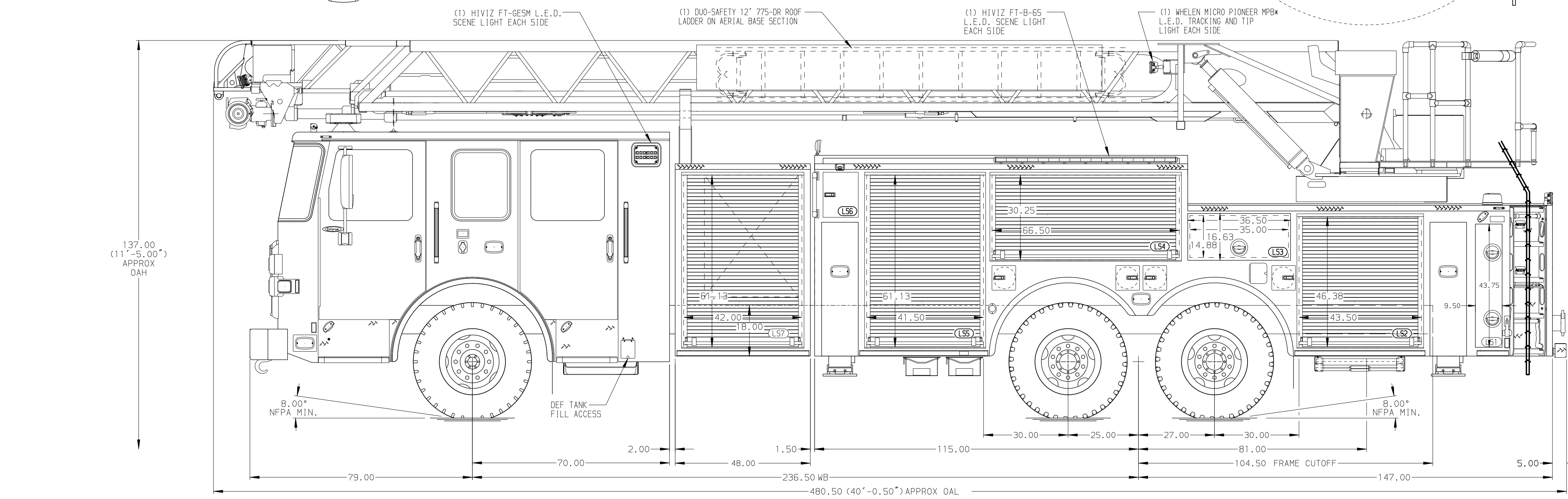


BODY
 100' LSL, Tandem Axle Aluminum Body
COMPT, LEFT SIDE FRONT
 FH/FD RollUp Forward w/o Chute
COMPT, LEFT SIDE REAR
 FH/FD RollUp and Lift-up Rearward
COMPT, RIGHT SIDE FRONT
 FH/FD RollUp Forward w/o Chute
COMPT, RIGHT SIDE REAR
 FH/FD RollUp and Lift-up Rearward



CHASSIS Enforcer Chassis ENGINE 510 HP Paccor MX13 Engine	CAB 7000 Enforcer Cab BUMPER 10" Extended Painted Steel	AXLE, FRONT, CUSTOM 21,500 Lb Meritor Axle AXLE, REAR 48,000 Lb Meritor Axle	TRANSMISSION Allison 6th Gen, 4000 EVS P GENERATOR Generator Not Required	COMPARTMENT-NO PUMP 48" Wide w/RollUp Door	SAFETY Frontal Impact Protection
--	--	---	--	--	--

NOTE
 DIMENSIONS SHOWN ARE APPROXIMATE AND ARE SUBJECT TO MINOR DEVIATIONS AS MAY OCCUR OR BE NECESSARY IN CONSTRUCTION. MINOR DETAILS NOT SHOWN.

- 14.00" AERIAL LIMITED RETRACTION
- SHORELINE RECEPTACLE WITH KUSSMAUL AUTO-EJECT LOCATED ON DRIVER SIDE OF THE CAB
- AIR INLET/OUTLET WITH DISCONNECT FITTING LOCATED IN THE DRIVER SIDE STEPWELL FORWARD POSITION
- BATTERY CHARGER LOCATED BEHIND DRIVERS SEAT
- BATTERY CHARGE INDICATOR LOCATED ON DRIVER SIDE OF CAB
- FOUR ADJUSTABLE SHELVES LOCATED IN COMPARTMENTS PER ORDER
- FOUR FLOOR MOUNTED SLIDE-OUT TRAYS LOCATED IN COMPARTMENTS PER ORDER
- ONE ADJUSTABLE TOOLBOARD ADDED TO SLIDE-OUT TRAY PER ORDER
- ONE ALUMINUM SWING-OUT TOOLBOARD LOCATED IN COMPARTMENT PER ORDER
- ONE SLIDE-OUT 2-WAY TRAY LOCATED IN COMPARTMENT PER ORDER
- NINE RECEPTACLE STRIPS LOCATED PER ORDER
- FOUR TILT/SLIDE-OUT TRAYS LOCATED IN COMPARTMENTS PER ORDER
- 5.00" RAISED AERIAL PEDESTAL
- LIFTING EYE ROPE RESCUE ATTACHMENT AT AERIAL TIP
- TRIDENT STEPS AT AERIAL DEVICE
- TECNO RING LIGHTING AT AERIAL DEVICE
- DC POWER TO AERIAL TIP

		JOB NO.	42492
		SCALE	DATE
Pierce MANUFACTURING INC.		1:24	26MAR24
ENFORCER		DRAWN BY	ANZ
TITLE 100' LSL AERIAL LADDER AND BODY ASSEMBLY		CHECKED BY	AST
MAKE PIERCE		SHEET SIZE	D
MODEL ENFORCER		SHEET NO.	1 OF 1
DWG NO. 42492AD			