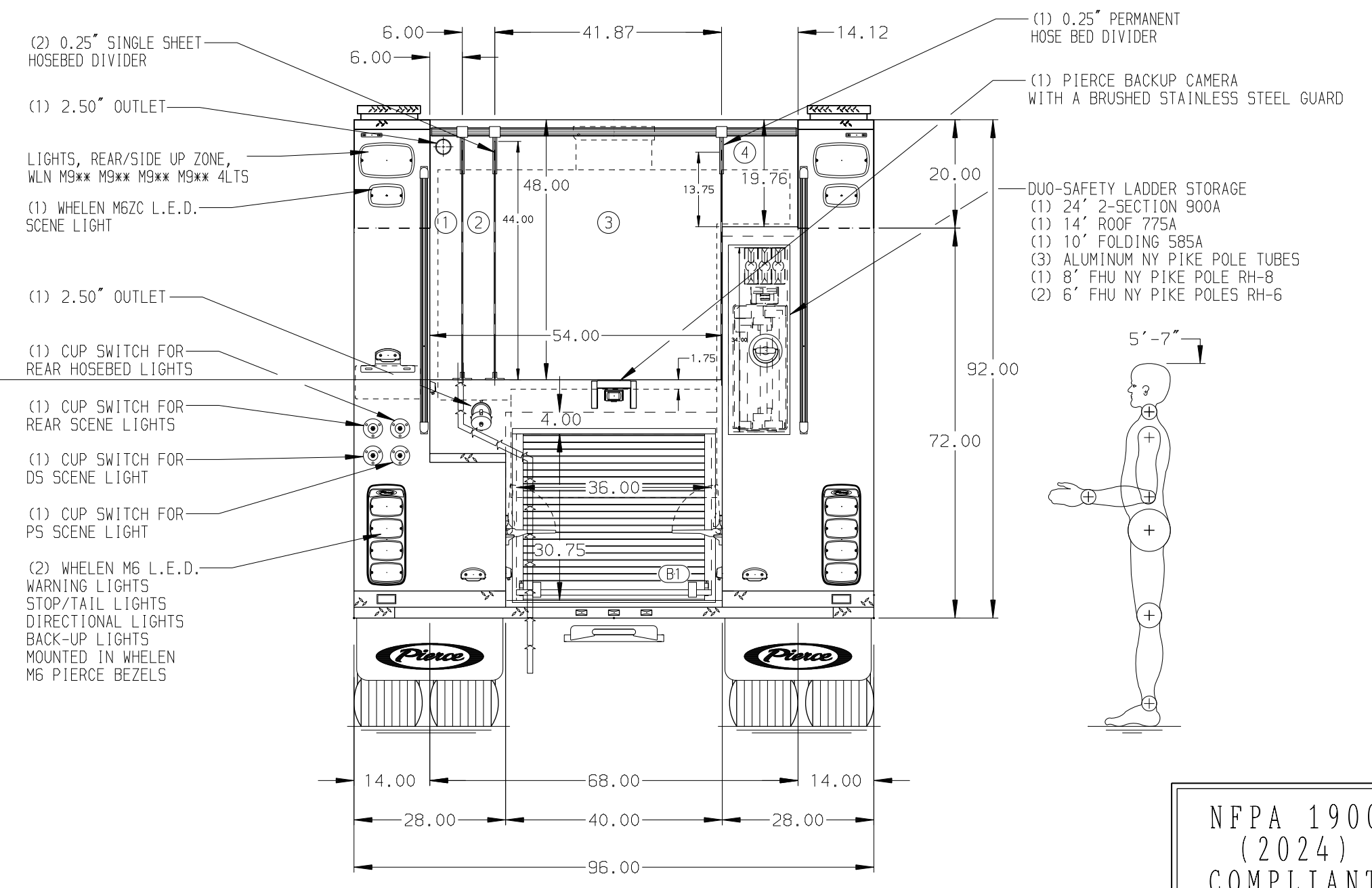
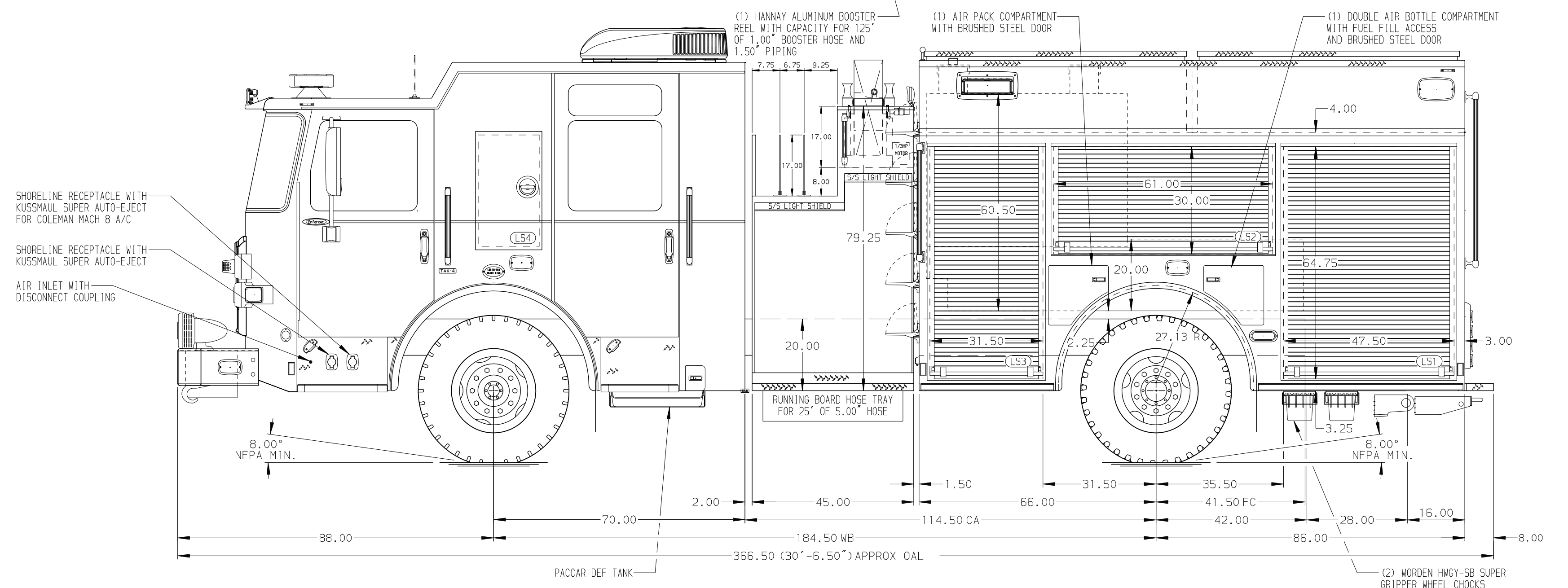


- HOSEBED CAPACITIES
- ① 250' OF 2.50" D.J. POLY HOSE
 - ② 250' OF 2.50" D.J. POLY HOSE
 - ③ 1000' OF 5.00" D.J. POLY HOSE
 - ④ EMPTY



ALUMINUM BODY

NOTE
DIMENSIONS SHOWN ARE APPROXIMATE AND ARE SUBJECT TO MINOR DEVIATIONS AS MAY OCCUR OR BE NECESSARY IN CONSTRUCTION. MINOR DETAILS NOT SHOWN.

REV	DATE	BY	CH	ENFORCER
04AUG25	RHU	JAP		

		JOB NO.	43376
		SCALE	DATE
TITLE	1500GPM, 7306 WATER, 20G FOAM 152" PUMPER, HARDWIRED	DRAWN BY	VHO 18APR25
FOR	OKLAHOMA CITY FIRE DEPARTMENT OKLAHOMA CITY, OKLAHOMA	CHECKED BY	JAP 21APR25
DWG NO.	43376AD	SHEET SIZE	SHEET NO.
		D	1 OF 1