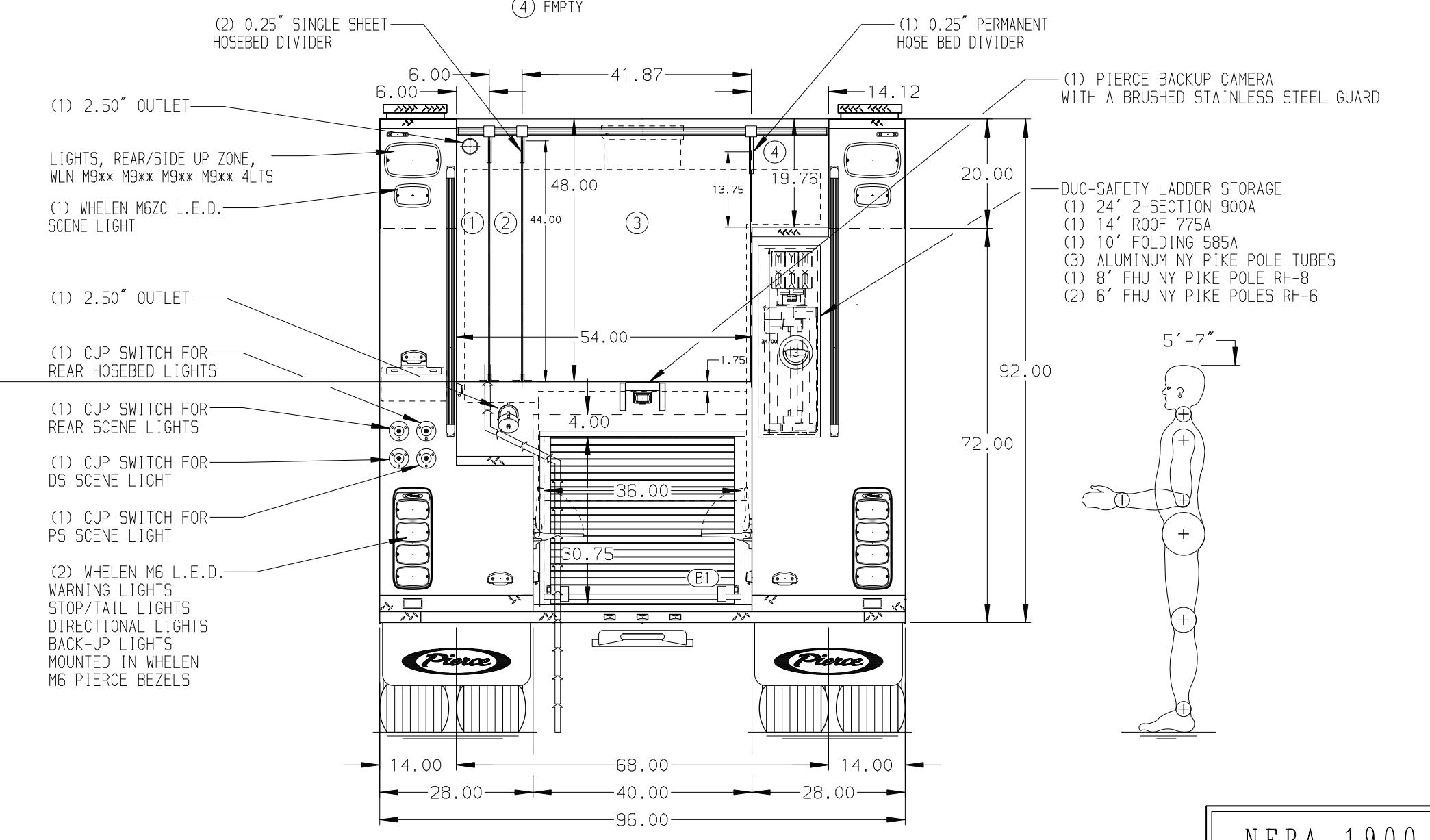
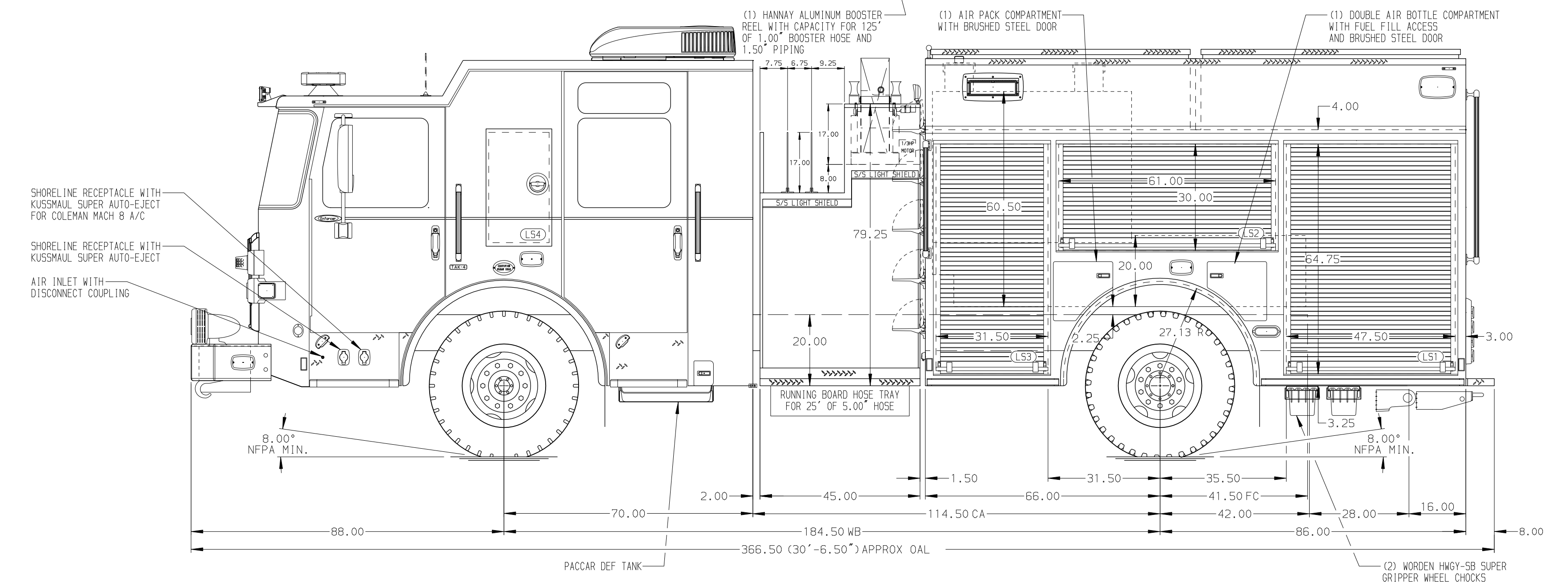


- HOSEBED CAPACITIES**
- ① 250' OF 2.50" D.J. POLY HOSE
 - ② 250' OF 2.50" D.J. POLY HOSE
 - ③ 1000' OF 5.00" D.J. POLY HOSE
 - ④ EMPTY



ALUMINUM BODY

NOTE
 DIMENSIONS SHOWN ARE APPROXIMATE AND ARE SUBJECT TO MINOR DEVIATIONS AS MAY OCCUR OR BE NECESSARY IN CONSTRUCTION. MINOR DETAILS NOT SHOWN.

REV	DATE	BY	CH

		JOB NO.	43377		
		SCALE	DATE		
CHASSIS DATA MAKE PIERCE MODEL ENFORCER	TITLE	1500GPM, 7306 WATER, 20G FOAM 152" PUMPER, HARDWIRED	DRAWN BY	ADP	08MAY25
	FOR	OKLAHOMA CITY FIRE DEPARTMENT OKLAHOMA CITY, OKLAHOMA	CHECKED BY	JAP	9MAY25
	DWG NO.	43377AD	SHEET SIZE	D	SHEET NO. 1 OF 1